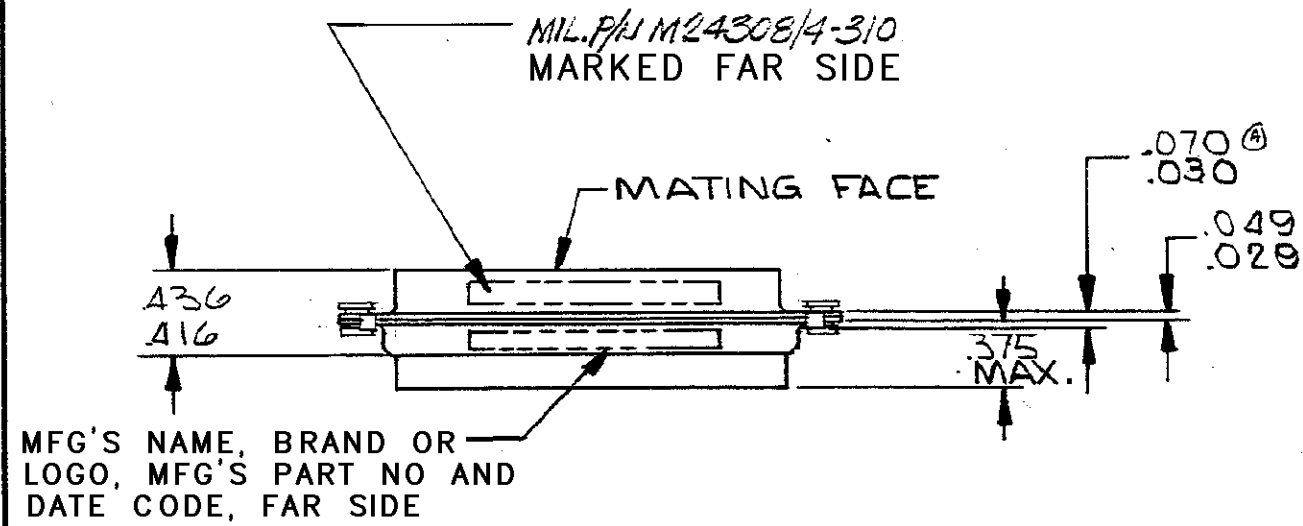
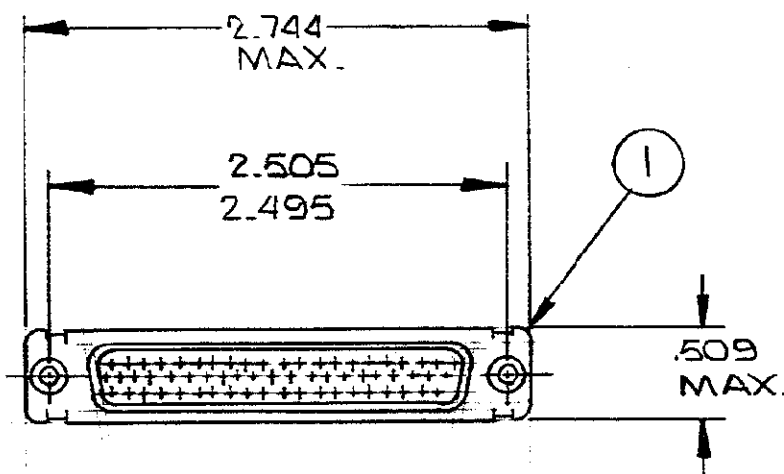


© 1971 BY AMP INCORPORATED. ALL RIGHTS RESERVED. AMP PRODUCTS COVERED BY PATENTS AND/OR PATENTS PENDING.

REVISIONS				
ZONE	LTR	DESCRIPTION	DATE	APPROVED
	A	REV. PER ECN B-948	5/14/73	JMS
	B	ITEM 2 WAS 91054-1 ECN C-878	3/19/74	JMS
	C	REV. PER ECN D-105	7/1/74	JMS
	D	REV PER ECN DF-00213 DF-0160 & R2670	1-13-88	EAM
	E	ECO-08-023688	11-08	BW

⚠ APPROPRIATE MILITARY P/N (KIT) IS MARKED ON PACKAGE

Unpublished copy not to be reproduced nor published without written permission of Amp Incorporated



SUPD BY 204543-2 & 91067-1

<input checked="" type="checkbox"/>	-	-	MILITARY P/N M24308/4-321F MARKED ON PACKAGE	
<input checked="" type="checkbox"/>	-	-	MILITARY P/N M24308/4-310F MARKED ON PACKAGE	
68	68	B	204370-2 CONTACT, PIN, SIZE #22D	3
1	-	B	91067-1 INSERTION/EXTRACTION TOOL	2
1	1	C	204531-1 PLUG ASS'Y, SIZE #4	1
-3	-2	-1	DWG. NUMBER	NAME
				ITEM NO.

204543 204543 204543	UNLESS OTHERWISE SPECIFIED DIMENSIONS ARE IN INCHES TOLERANCES ON: DECIMALS ± .015 ANGLES ± #	CONTRACT NO.	AMP INCORPORATED HARRISBURG, PENNSYLVANIA	
	MATERIAL	DR. <i>R.P. Matthews</i> 7-15-71 DES. <i>R. D. Baer</i> 7-20-71 APPD. <i>R. D. Baer</i> 7-20-71 DSGN APPD. <i>R. D. Baer</i> 7-20-71 OTHER APPD.	NAME KIT, "HDD" SERIES, PLUG, SIZE #4 WITH FLOATING BUSHINGS	
		SIZE B	CODE IDENT NO. 00779	NUMBER 204543
		SCALE #		REV E
			SHEET 1 OF 1	

