

C4532NP02E683J230KN

TDK Item Description : C4532NP02E683JT****

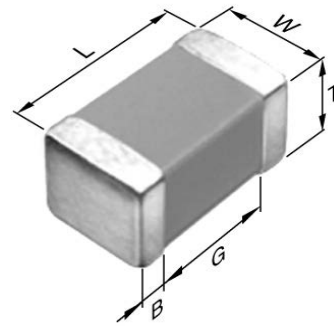


Application & Main Feature

Commercial Grade (High Temperature Application)

Series

C4532 [EIA CC1812]



Dimensions

L	4.50mm +/-0.4mm
W	3.20mm +/-0.4mm
T	2.30mm +/-0.2mm
B	0.20mm Min.
G	

Temperature Characteristic

NP0 (-55 to 150 degC 0+/-30ppm/degC)

Rated Voltage

2E (250Vdc)

Capacitance

68nF

Capacitance Tolerance

J (+/-5%)

Q Factor

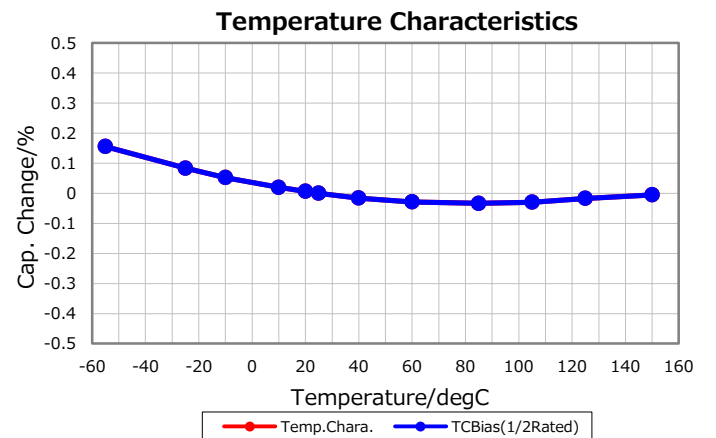
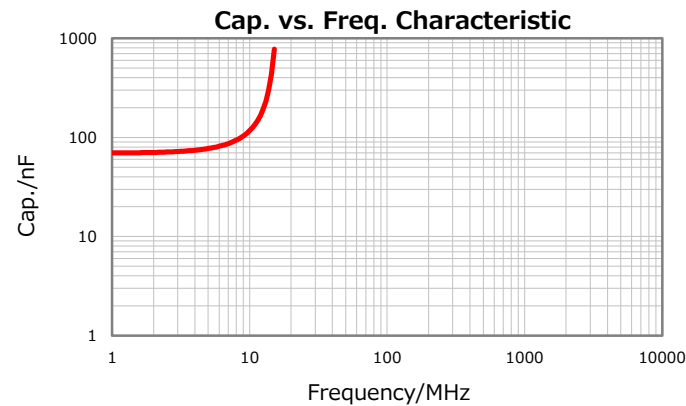
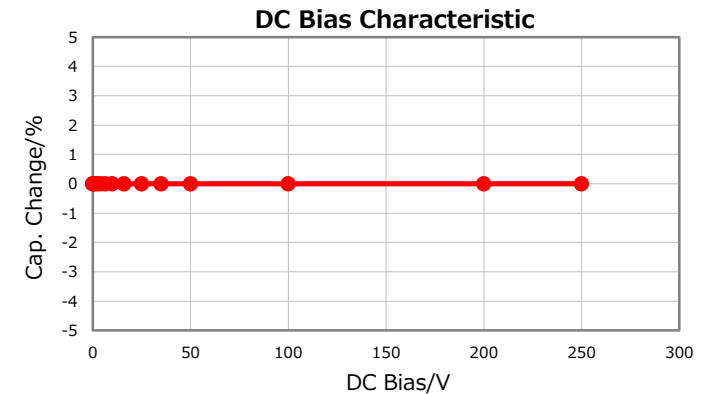
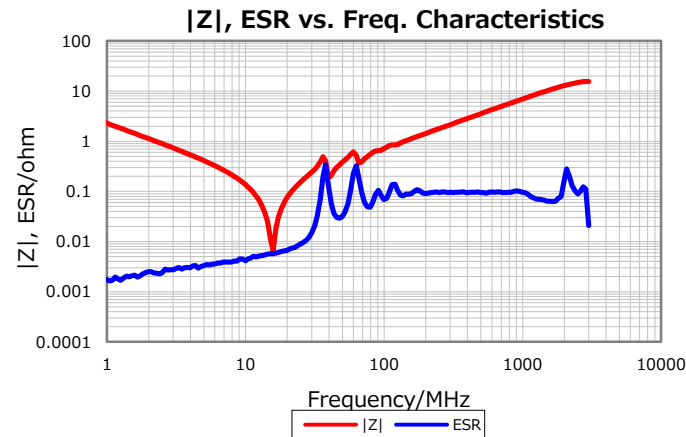
1000 Min.

Insulation Resistance

7.35Gohm Min

AEC-Q200

Not Applicable



Characterization Sheet (Multilayer Ceramic Chip Capacitors)



All specifications are subject to change without notice.

April 13, 2016