

**PLEASE CHECK WWW.MOLEX.COM FOR LATEST PART INFORMATION**

**Part Number:** [19078-0135](#)  
**Status:** **Active**  
**Description:** MagKrimp™ Tooling Kit - Round Dies, CMA Varies

**Documents:**  
[RoHS Certificate of Compliance \(PDF\)](#)

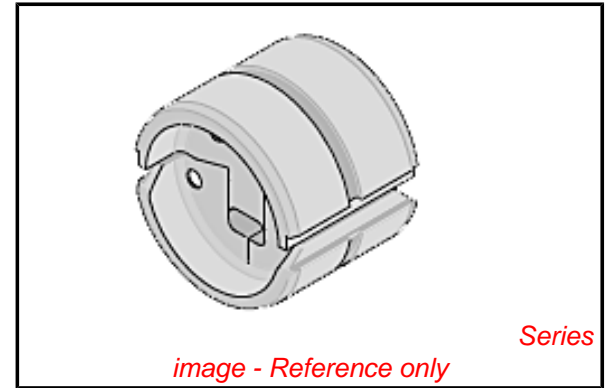
**General**

Product Family	Application Tooling
Series	<a href="#">T1722</a>
Function	Crimp
Geographic Area	Global
Level of Automation	Manual
More Detailed Tech Information	<a href="mailto:applicationtooling@molex.com">applicationtooling@molex.com</a>
Product Name	N/A
Survey	<a href="http://www.molex.com//review/apptool_survey.html">www.molex.com//review/apptool_survey.html</a>
Tool Type	N/A
UPC	800755074406

**Material Info**

**Reference - Drawing Numbers**

Application Tooling Documents	ATS-190780135
-------------------------------	---------------



*image - Reference only*

<b>EU RoHS</b>	<b>China RoHS</b>
----------------	-------------------

**Compliance Status**

**Not Reviewed**

**REACH SVHC**

**Not Reviewed**

**Low-Halogen Status**

**Not Reviewed**

**Need more information on product environmental compliance?**

Email [productcompliance@molex.com](mailto:productcompliance@molex.com)  
 For a multiple part number RoHS Certificate of Compliance, [click here](#)

Please visit the [Contact Us](#) section for any non-product compliance questions.

**Search Parts in this Series**

[T1722Series](#)

**Use With**

[190780129](#) , [190780122](#)

<b>Application Tooling</b>	<b>FAQ</b>
<b>Description</b>	<b>Product #</b>

MagKrimp™ Piercing Splice, 50,000 - 115,000 Circular Mil Area, Plated	0191951023
---	------------

MagKrimp™ Round Ring Tongue Terminal with Ribbed Barrel, Stud Size 1/2" (M12), 50,000-115,000 Circular Mil Area, Plated	0191951040
---	------------

MagKrimp™ Piercing Splice 110,000 - 175,000 Circular Mil Area, Plated	0191951041
---	------------

MagKrimp™ Piercing0191951044  
Splice 110,000 -  
230,000 Circular Mil  
Area, Plated  
MagKrimp™ Round 0191951047  
Ring Tongue  
Terminal with  
Ribbed Barrel, Stud  
Size 1/2" (M12),  
165,000-230,000  
Circular Mil Area,  
Plated  
MagKrimp™ 0191951031  
Round Ring with  
Ribbed Barrel, Stud  
Size 3/8" (M9),  
165,000-230,000  
Circular Mil Area,  
Plated

This document was generated on 03/08/2013

**PLEASE CHECK [WWW.MOLEX.COM](http://WWW.MOLEX.COM) FOR LATEST PART INFORMATION**