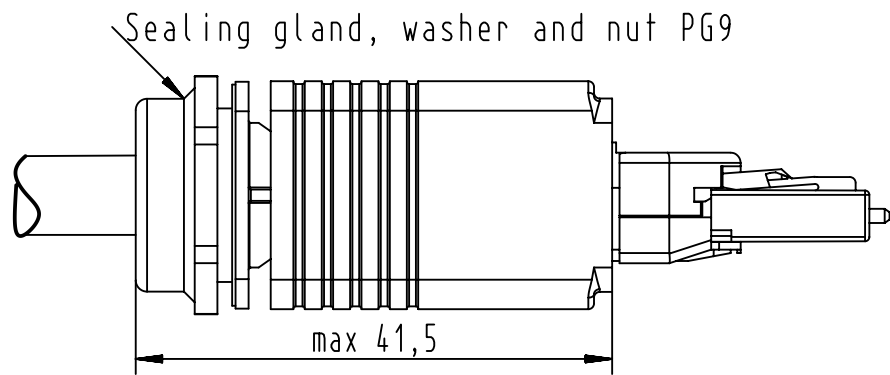


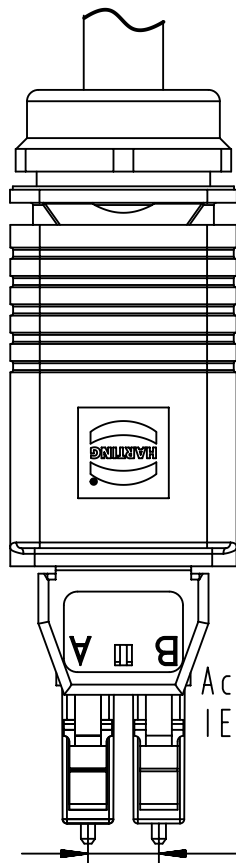
LC Multimode Connector A

LC Multimode Connector B



Sealing gland, washer and nut PG9

max 41,5



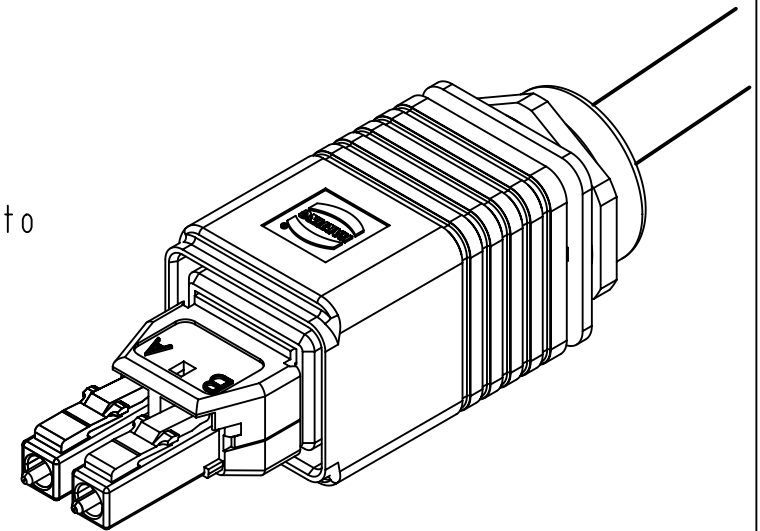
According to IEC 61754-20

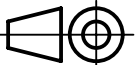



(6,25)

LC fibre optic mating according to IEC 61754-20

Cable outer diameter from 5.8mm to 7.2mm

Plug according to 61076-3-106 IEC-variant 04



	All Dimensions in mm Original Size DIN A4		Scale 1.5:1	Free size tol.		Ref.
			Created by MAILLARDS	Inspected by DE VANSAY	Standardisation HOFFMANN	Sub.
		All rights reserved Department EC PD - FR	Date 2012-10-19		State Final Release	
		HARTING Electronics GmbH D-32339 Espelkamp	Title Set PP LC duplex MM GOF			Doc-Key / ECM-Nr. 100103901/UGD/004/B 5300000856881
		Type TB	Number 09574020500		Rev. B	Page 1/1