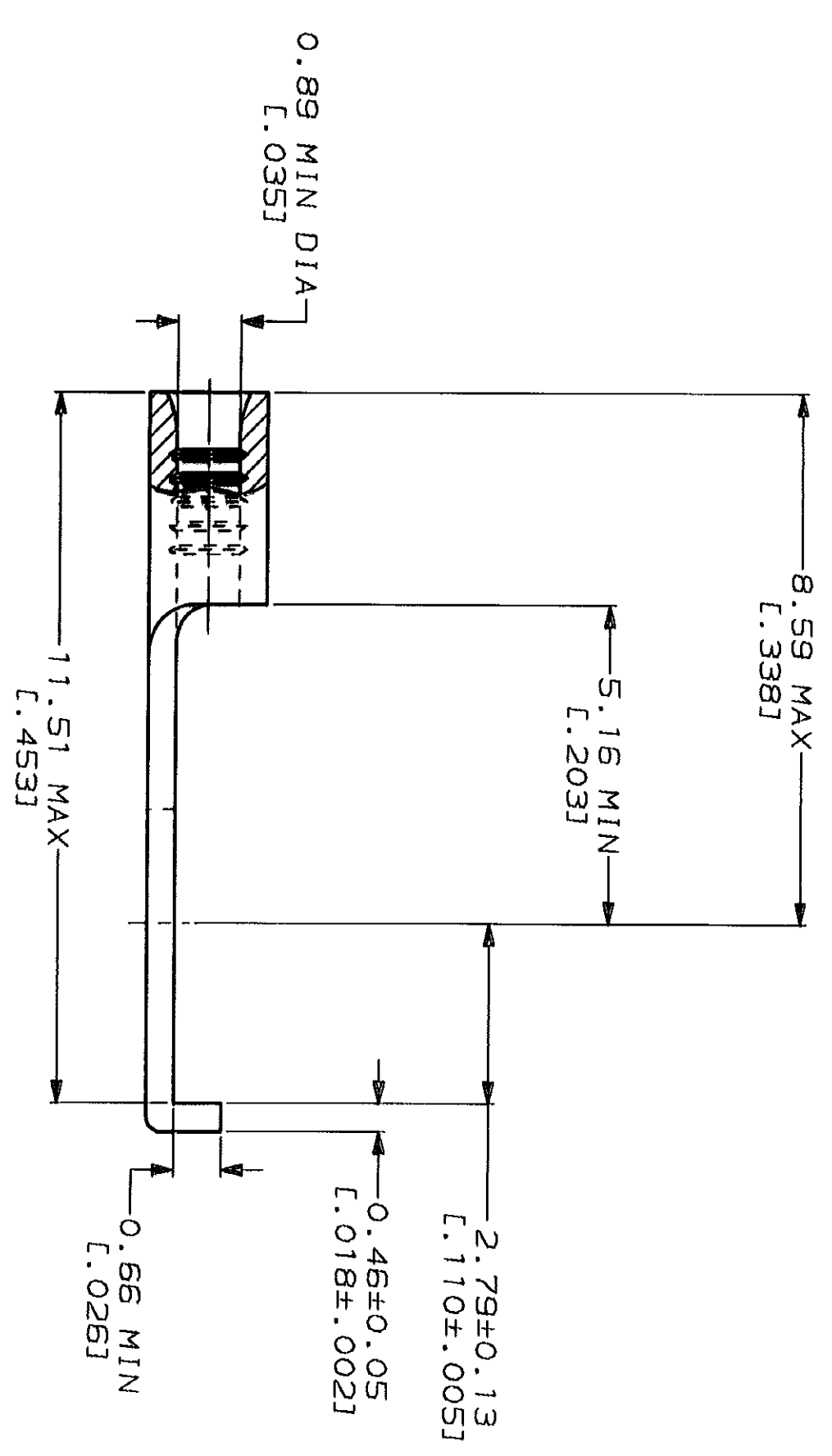
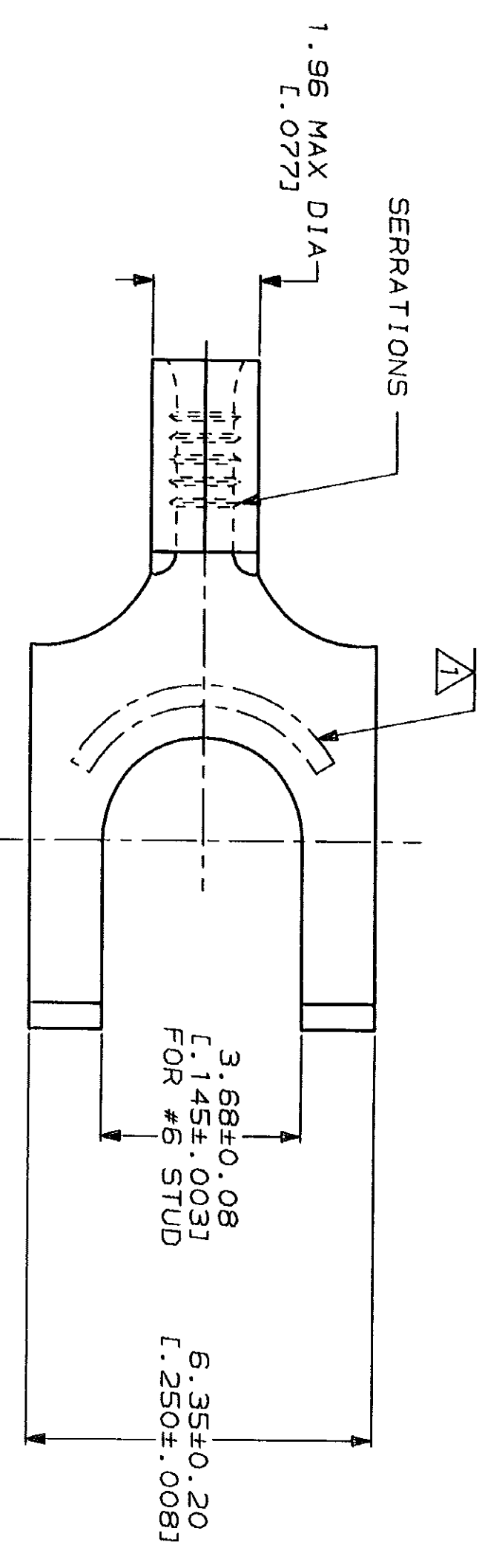


LOC	DIST	REV	ZONE	LTR	DESCRIPTION	DATE	APPD
G	14				RELEASED PER 0720-0008-93	3-1-93	JL DMP

METRIC
 DIMENSIONS LISTED IN mm [INCHES]

AMP WIRE RANGE	UL E13288 Listed
26-22 AWG STRANDED	NOT LISTED
LR7189 Certified	MILITARY P/N AND CLASS
NOT CERTIFIED	NOT APPLICABLE

△ STAMP AMP APPROX AS SHOWN



AMP INCORPORATED
CUSTOMER SERVICE SYSTEMS

FOR ADDITIONAL PRODUCT INFORMATION OR COPIES OF DRAWINGS AND TECHNICAL DOCUMENTS
 1-800-522-6752

FOR APPLICATION TOOLING INFORMATION
 1-800-722-1111

FOR ORDER ENTRY
 1-800-526-5142

MAX RECOMMENDED OPERATING TEMPERATURE:
 170°C MAX

VOLTAGE RATING:
 NOT APPLICABLE

WIRE CROSS SECTIONAL AREA RANGE:
 0.1-0.41mm² [202-810] CIR MILS
 STRANDED

DO NOT SCALE PRINT. UNLESS SPECIFIED DIMENSIONS IN INCHES - TOLERANCES ON: 1. PLC DEC # - 2. ANGLES # - 3. MATERIAL

DR 3-1-93
 TA BRINKMAN
 CHK 3-1-93
 DA PATTERSON
 APPD 3-1-93
 DE MILLER
 APPD 3-1-93
 JL MECKLEY
 PRODUCT SPEC

AMP
 AMP Incorporated
 Harrisburg, PA 17105-3608

TERMINAL, FLANGED
 SPADE, BUDGET

FINISH TIN PLATE
 0.00254L.0001001 MIN THK PER MIL-T-10727

APPLICATION SPEC

SIZE CAGE CODE DRAWING NO
 00779 51875

SCALE 10:1 SHEET 1 OF 1

51875-1
 PART NO