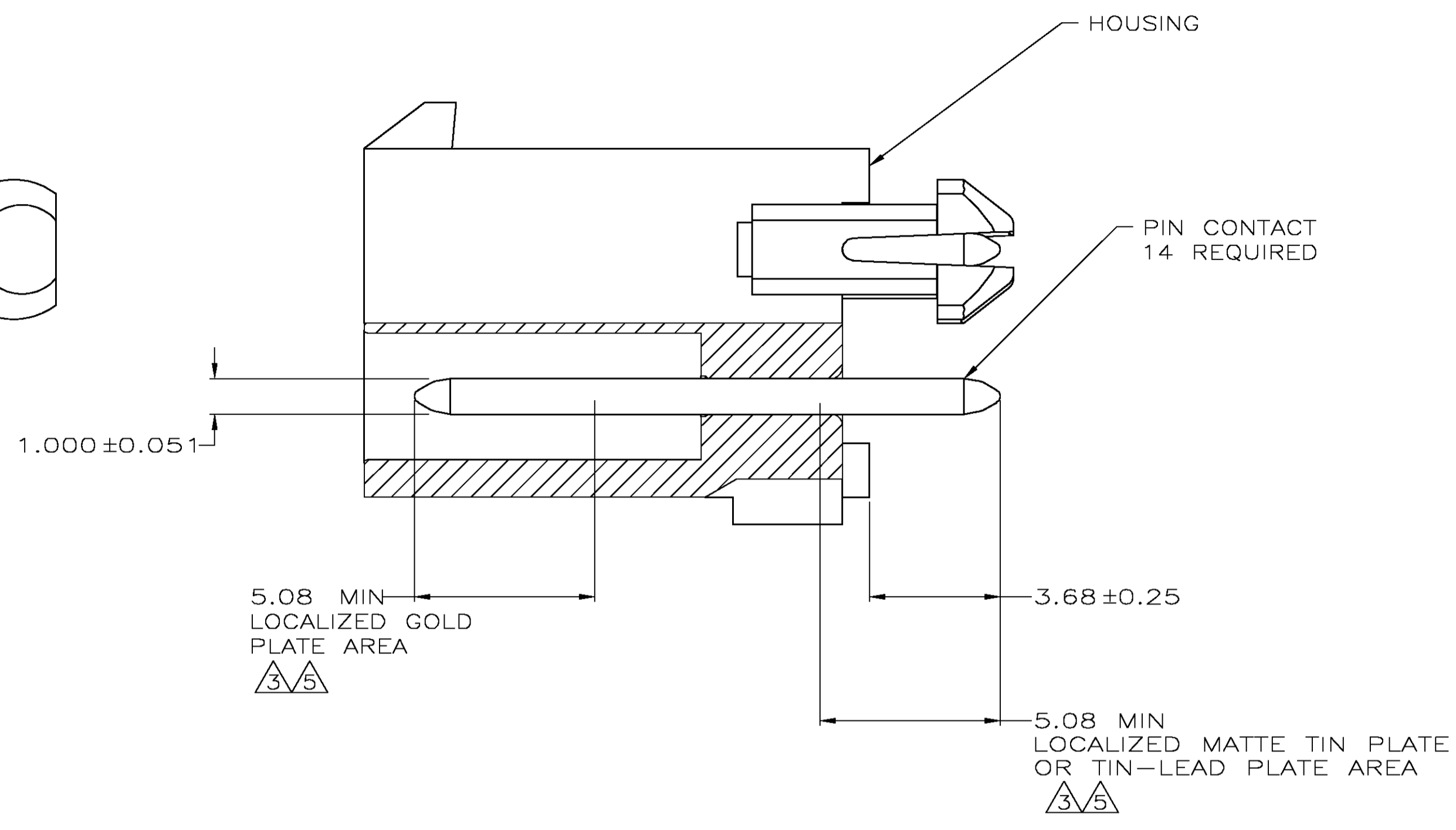
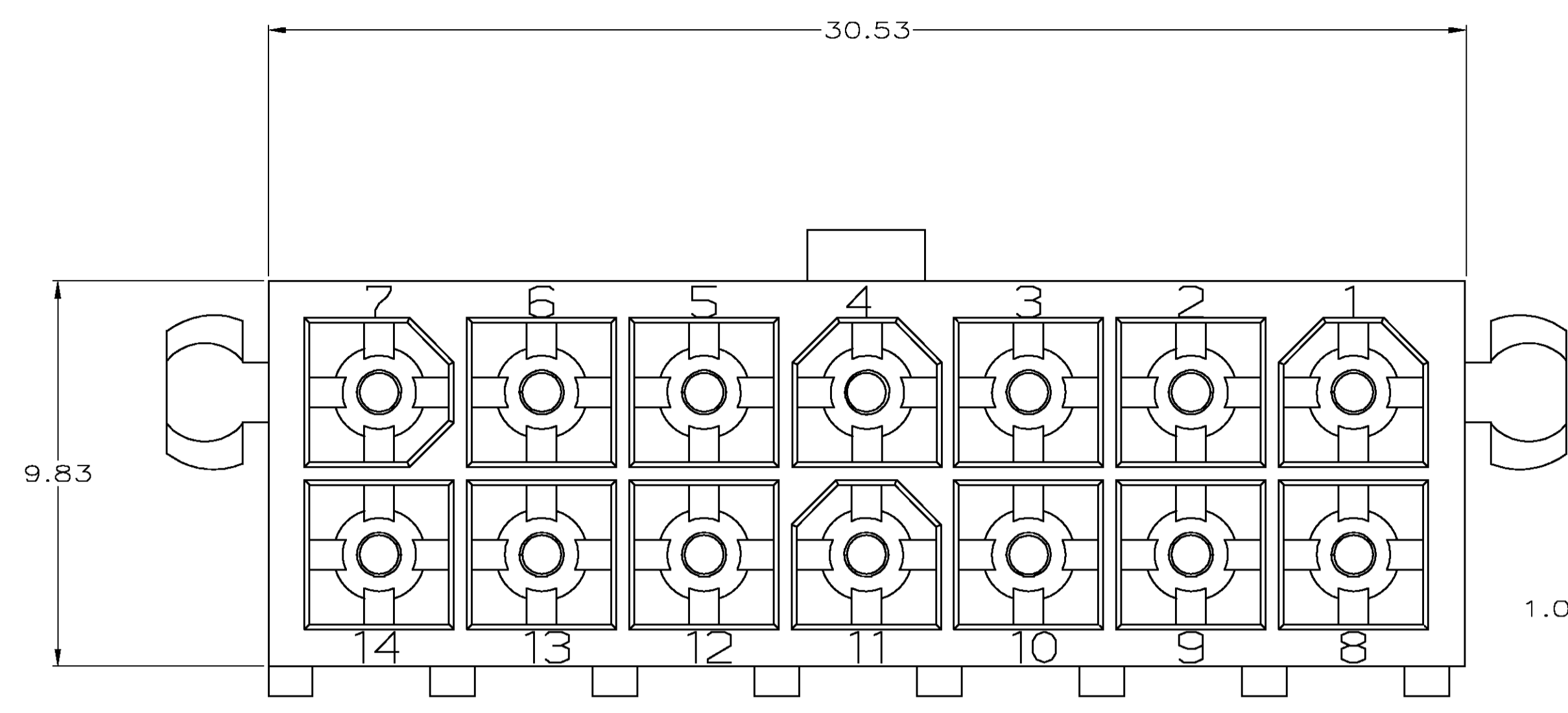
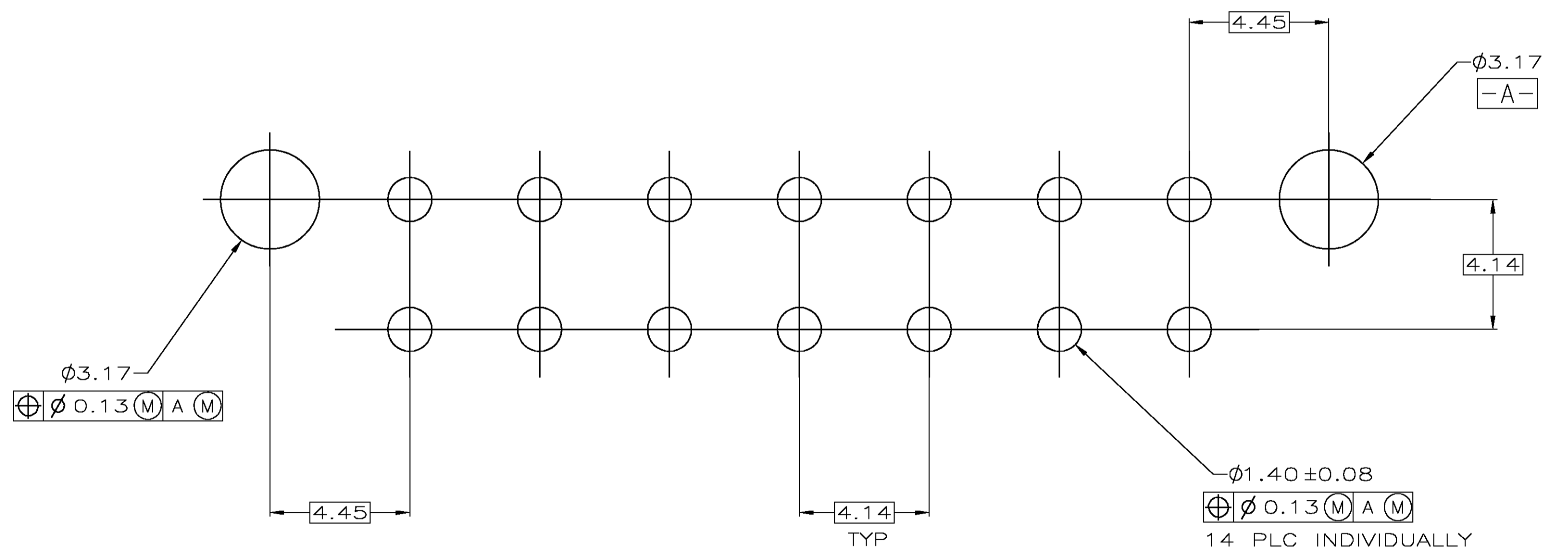
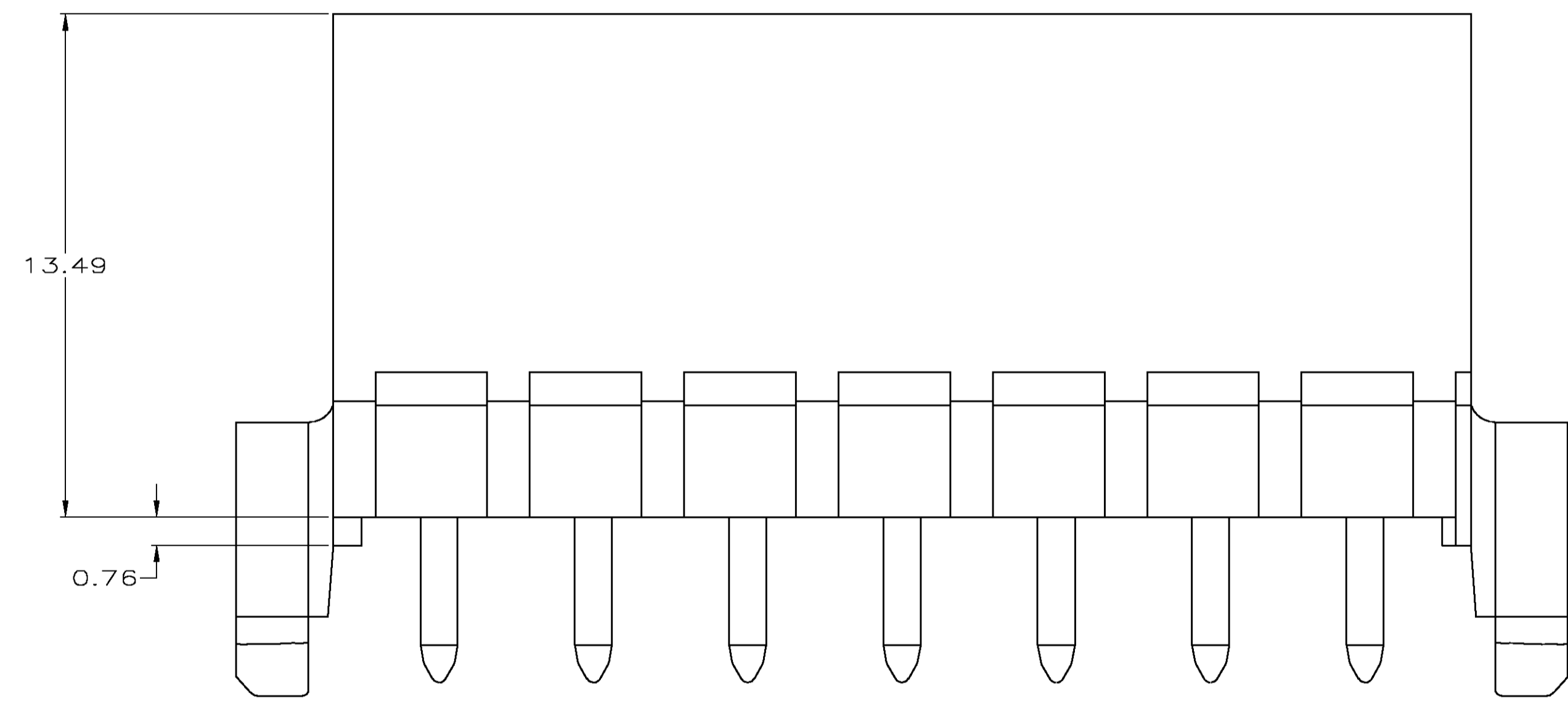


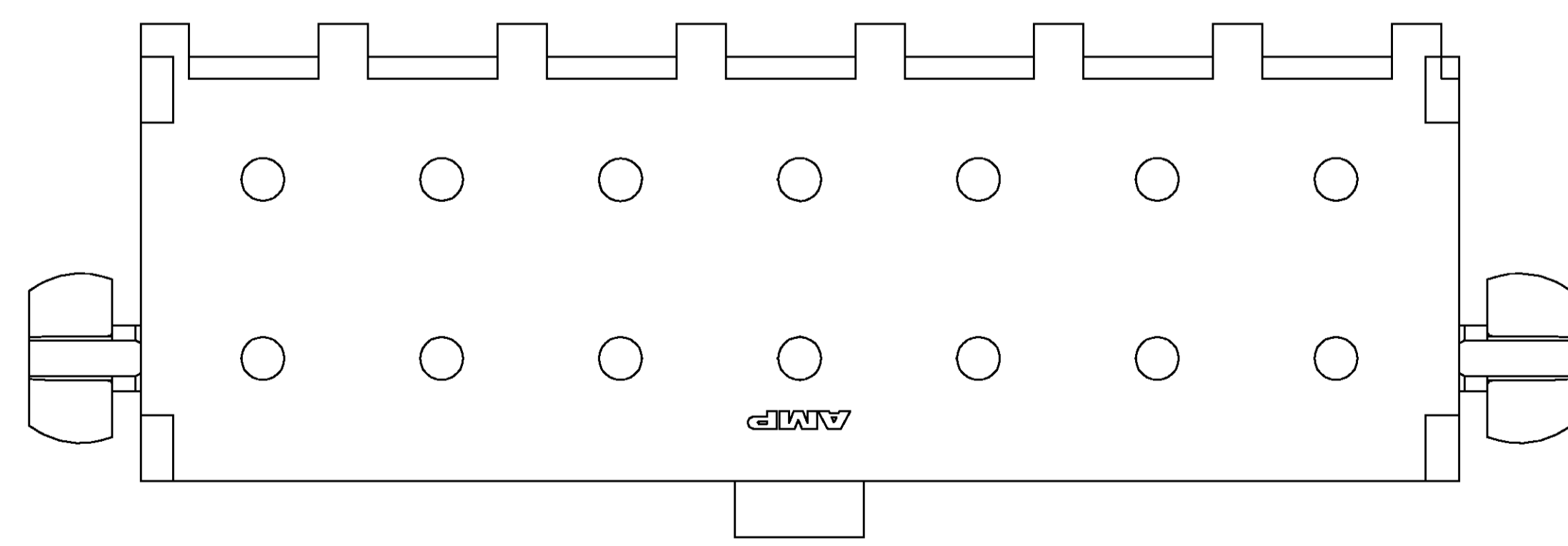
LOC		DIST		REVISIONS			
P	LTR	DESCRIPTION	DATE	BY	APP'D		
D		REVISED PER 063B-0211-05	6/7/05	SS	RJ		



- PINS TO COMPLY WITH AMP SOLDERABILITY SPEC. 109-11-3.
- 0.00381 MIN MATTE TIN LEAD PLATE OVER 0.00127 MIN NICKEL.
- 0.00076 MIN GOLD PLATE IN THE LOCALIZED PLATE AREA, 0.00381 MATTE TIN LEAD IN THE LOCALIZED PLATE AREA, BOTH OVER 0.00127 MIN NICKEL.
- 0.00381 MIN MATTE TIN PLATE OVER 0.00127 MIN NICKEL.
- 0.00076 MIN GOLD PLATE IN THE LOCALIZED PLATE AREA, 0.00381 MATTE TIN IN THE LOCALIZED PLATE AREA, BOTH OVER 0.00127 MIN NICKEL.



RECOMMENDED MOUNTING HOLE PATTERN FOR 1.57 THICK P.C. BOARD



PIN CONTACT MATERIAL AND FINISH	HOUSING MATERIAL AND COLOR	PART NUMBER
BRASS, GOLD	NYLON, 94V-0, WHITE	1-794074-1
BRASS, TIN	NYLON, 94V-0, WHITE	1-794074-0
BRASS, GOLD	NYLON, 94V-0, WHITE	794074-2
BRASS, TIN LEAD	NYLON, 94V-0, WHITE	794074-1

THIS DRAWING IS A CONTROLLED DOCUMENT.

DIMENSIONS: mm TOLERANCES UNLESS OTHERWISE SPECIFIED: 0 PLC ± - 1 PLC ± - 2 PLC ± 0.13 3 PLC ± - 4 PLC ± - ANGLES ± - FINISH SEE TABLE	DWN K. WHITAKER 6-12-95 CHK R. SWING 6-12-95 APVD R. ORSTAD 6-13-95 PRODUCT SPEC APPLICATION SPEC WEIGHT - CUSTOMER DRAWING	Tyco Electronics Corporation Harrisburg, Pa 17105-3608 NAME: HEADER ASSEMBLY, CLOSED BOTTOM, 14 CIRCUIT, DOUBLE ROW VERTICAL, MINI-UNIVERSAL MATE-N-LOK SIZE: A1 CODE: 00779 DRAWING NO: 794074 SCALE: 8:1 SHEET: 1 OF 1 REV: D
--	---	---