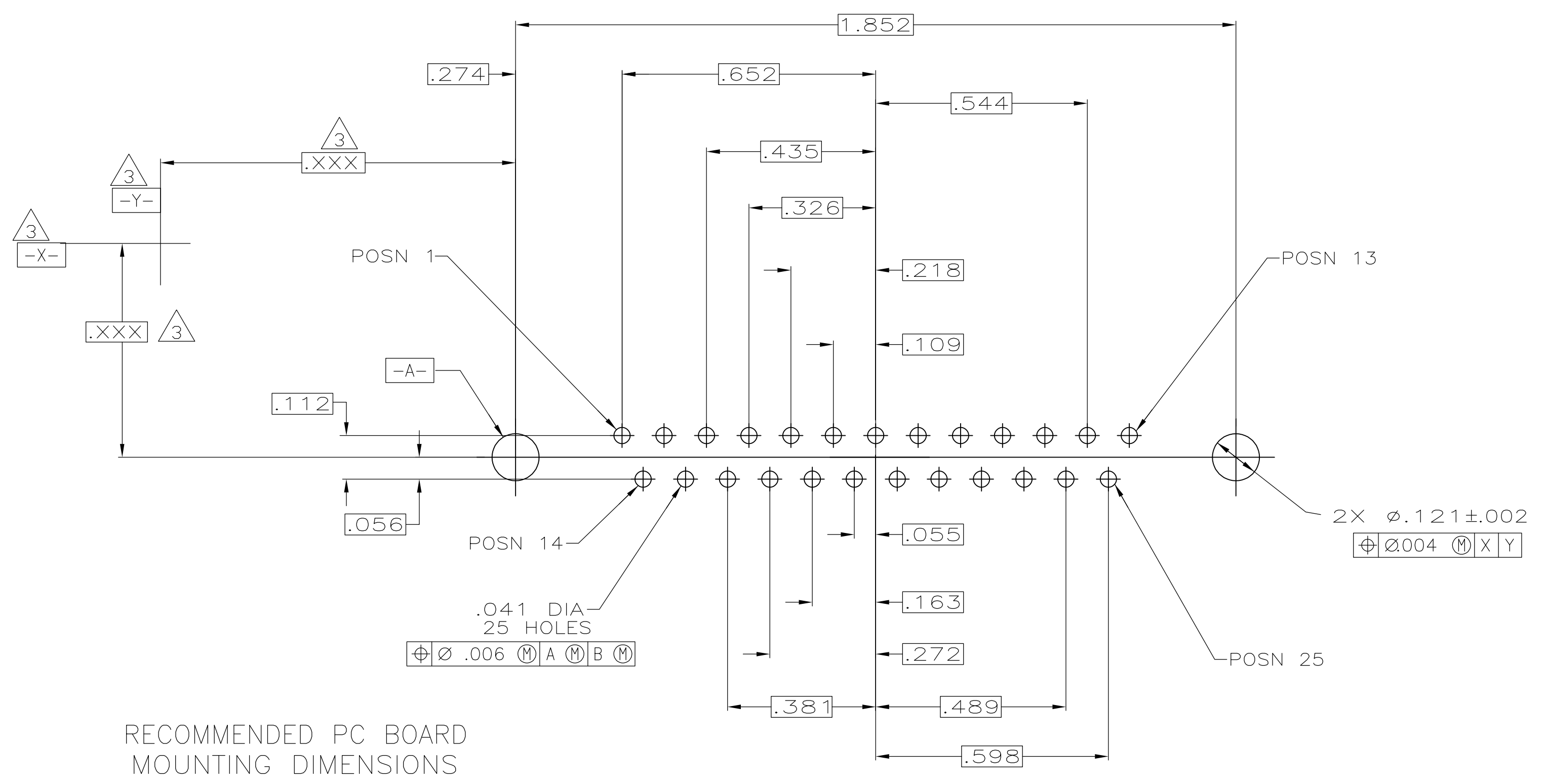
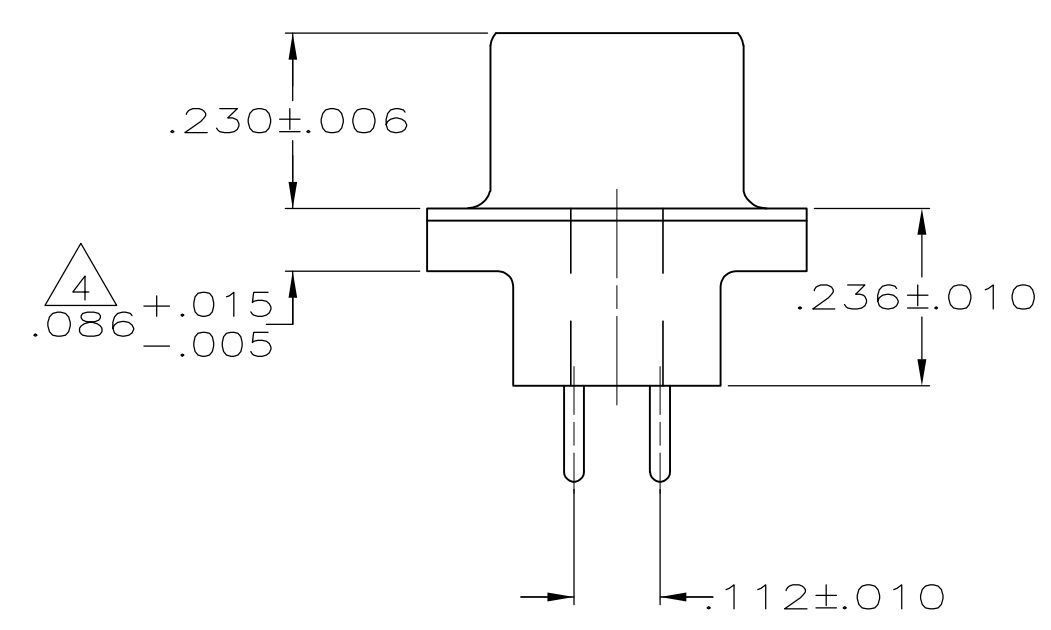
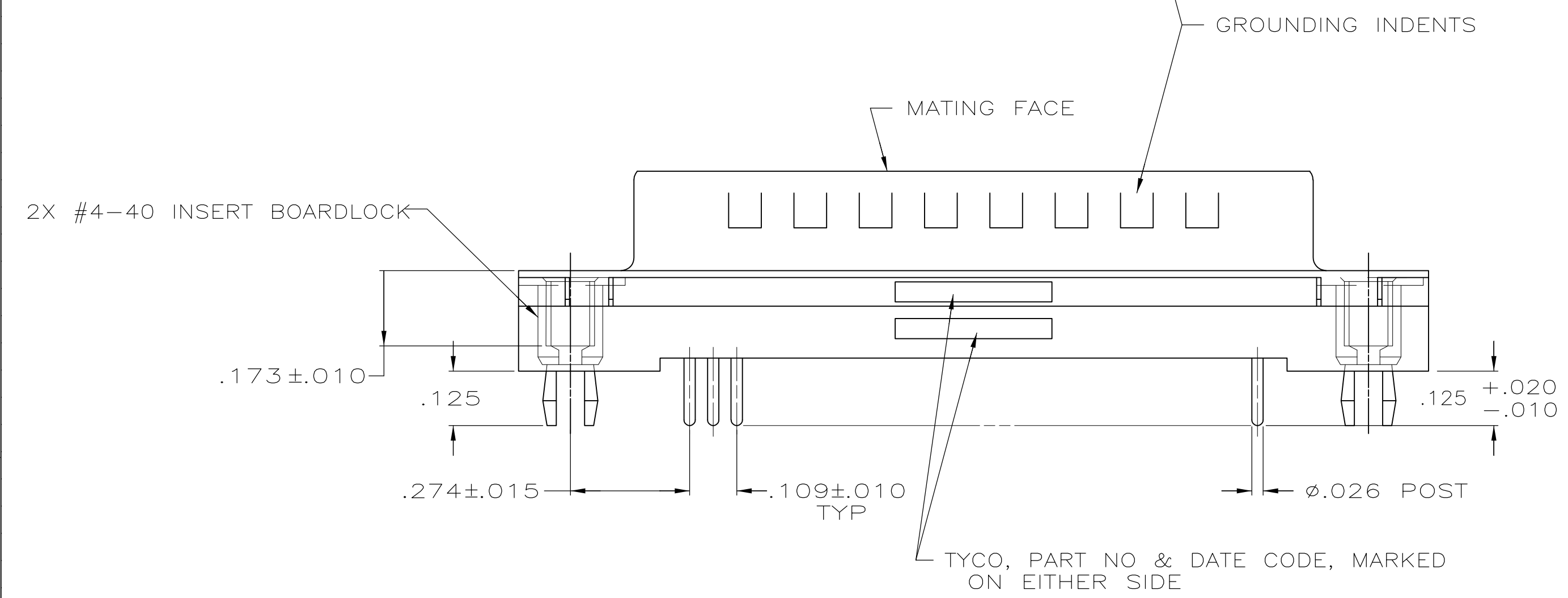
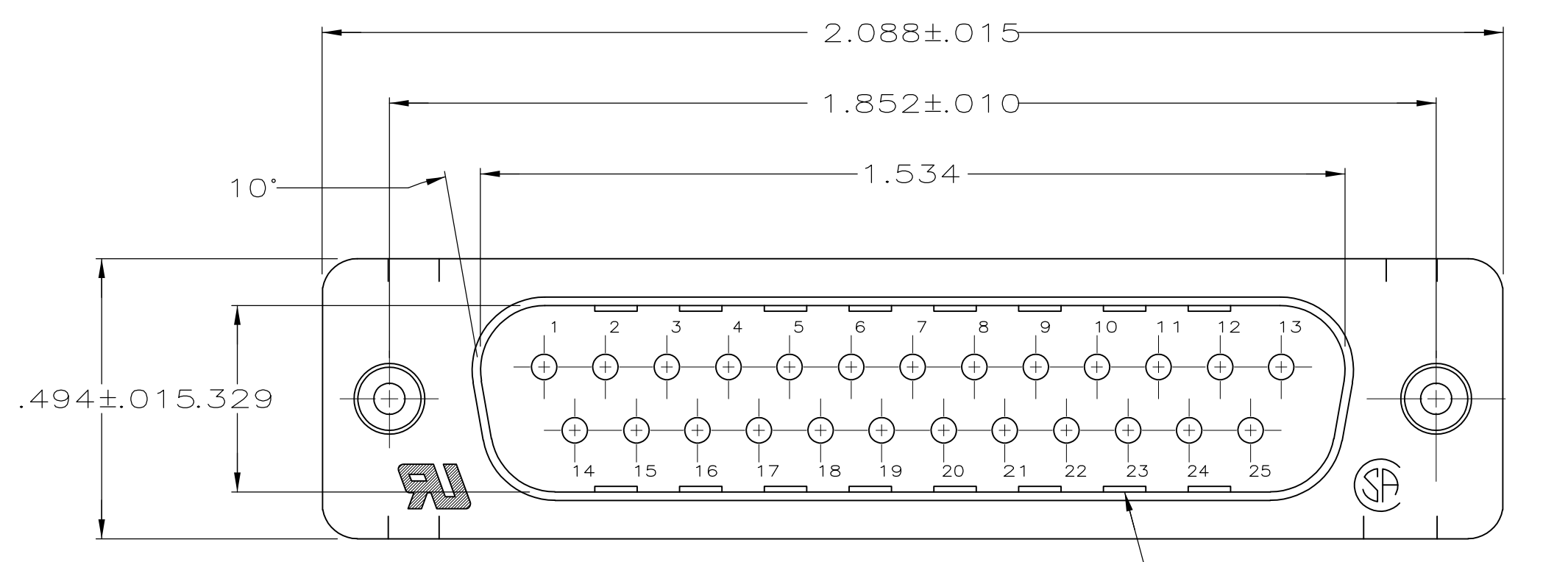


REVISIONS					
P	LTR	DESCRIPTION	DATE	DMN	APVD
C		REVISED PER ECO-16-001548	24FEB2016	AP	DG

- 1 HOUSING: POLYESTER, UL 94V-0 RATED, COLOR BLACK.
SHELL: CARBON STEEL.
CONTACTS: BRASS.
INSERT BOARDLOCKS: BRASS.
- 2 SHELLS: .000200 MIN TIN OVER .000100 MIN COPPER.
CONTACTS: GOLD PLATED FOR A LENGTH OF .150 MIN FROM MATING END, .000030 MIN GOLD IN MATED AREA, .000100 MIN TIN ON TERMINATION END, ALL OVER .000050 MIN NICKEL ON ENTIRE CONTACT.
-OR-
GOLD FLASH OVER PALLADIUM NICKEL PLATED FOR A LENGTH OF .150 MIN FROM MATING END, .000030 MIN PALLADIUM NICKEL IN MATED AREA, .000100 MIN TIN ON TERMINATION END, ALL OVER .000050 MIN NICKEL ON ENTIRE CONTACT.
INSERT BOARDLOCKS: .000150 MIN TIN OVER .000100 MIN COPPER.
- 3 DATUMS AND BASIC DIMENSIONS ESTABLISHED BY CUSTOMER.
- 4 .110 MAX IN SHELL TAB CLINCH AREAS.



RECOMMENDED PC BOARD MOUNTING DIMENSIONS

2-5747704-0
PART NO

THIS DRAWING IS A CONTROLLED DOCUMENT.		DIN B. LATTUCA 26SEPT05	 TE Connectivity
DIMENSIONS: INCHES		CHK S. BOLASH 26SEPT05	
TOLERANCES UNLESS OTHERWISE SPECIFIED:		APPD M. WALMSLEY 26SEPT05	NAME
0 PLC	± -	PRODUCT SPEC	PLUG ASSEMBLY, SIZE 3, 25 POS., VERTICAL, .026 DIAMETER POSTS, RETENTION INSERTS, FRONT METAL SHELL, AMPLIMITE HD-20
1 PLC	± -	APPLICATION SPEC	108-40025
2 PLC	± -	SIZE	114-40023
3 PLC	± .005	WEIGHT	-
4 PLC	± -	CAGE CODE	A100779
ANGLES	± ±	DRAWING NO	C=5747704
MATERIAL	FINISH	CUSTOMER DRAWING	RESTRICTED TO
1	2	SCALE 1:1	SHEET 1 OF 1 REV C