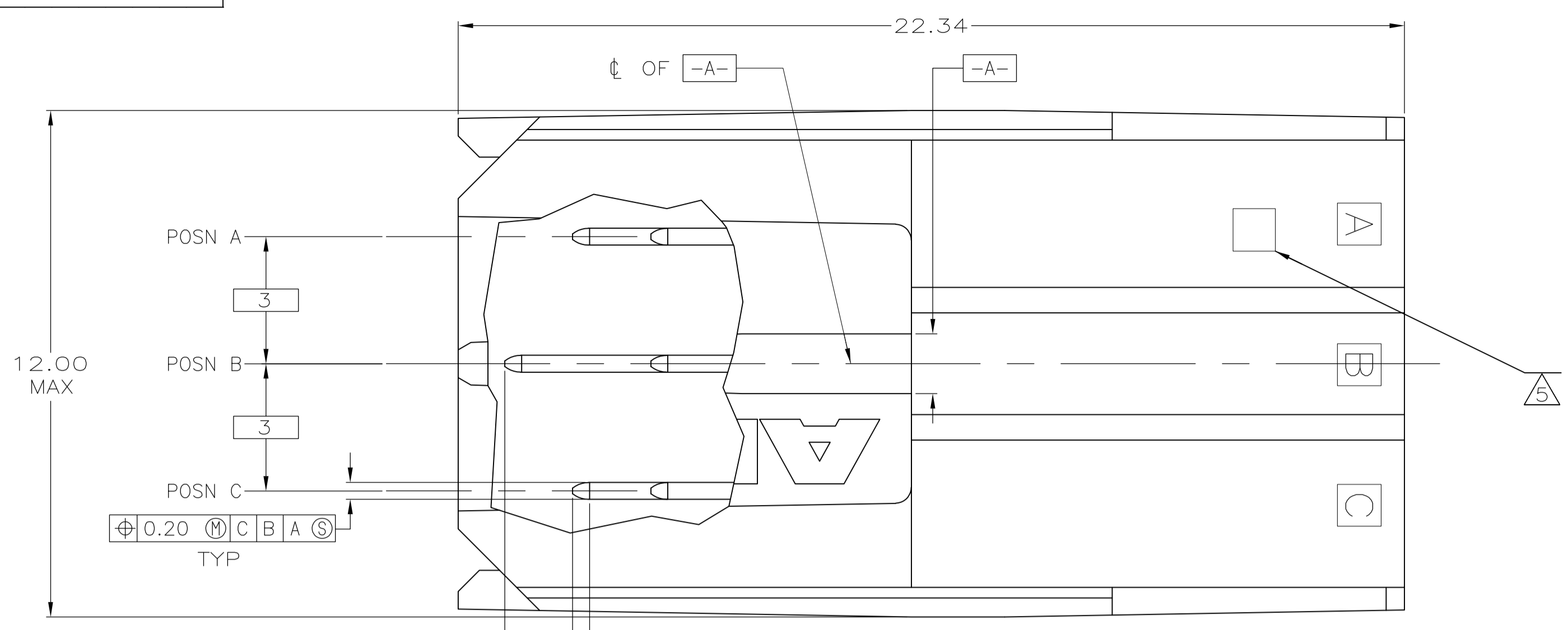
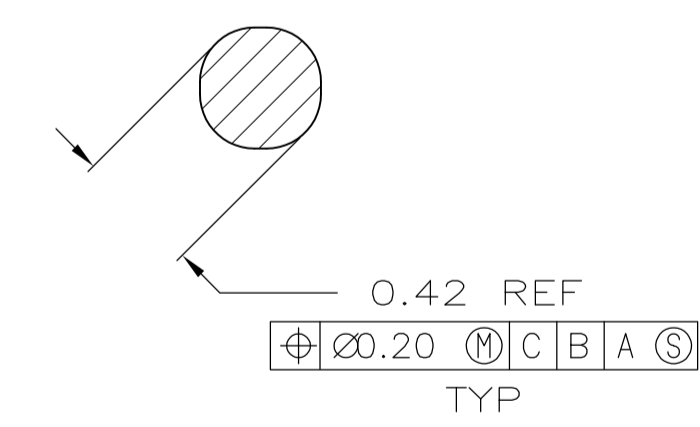
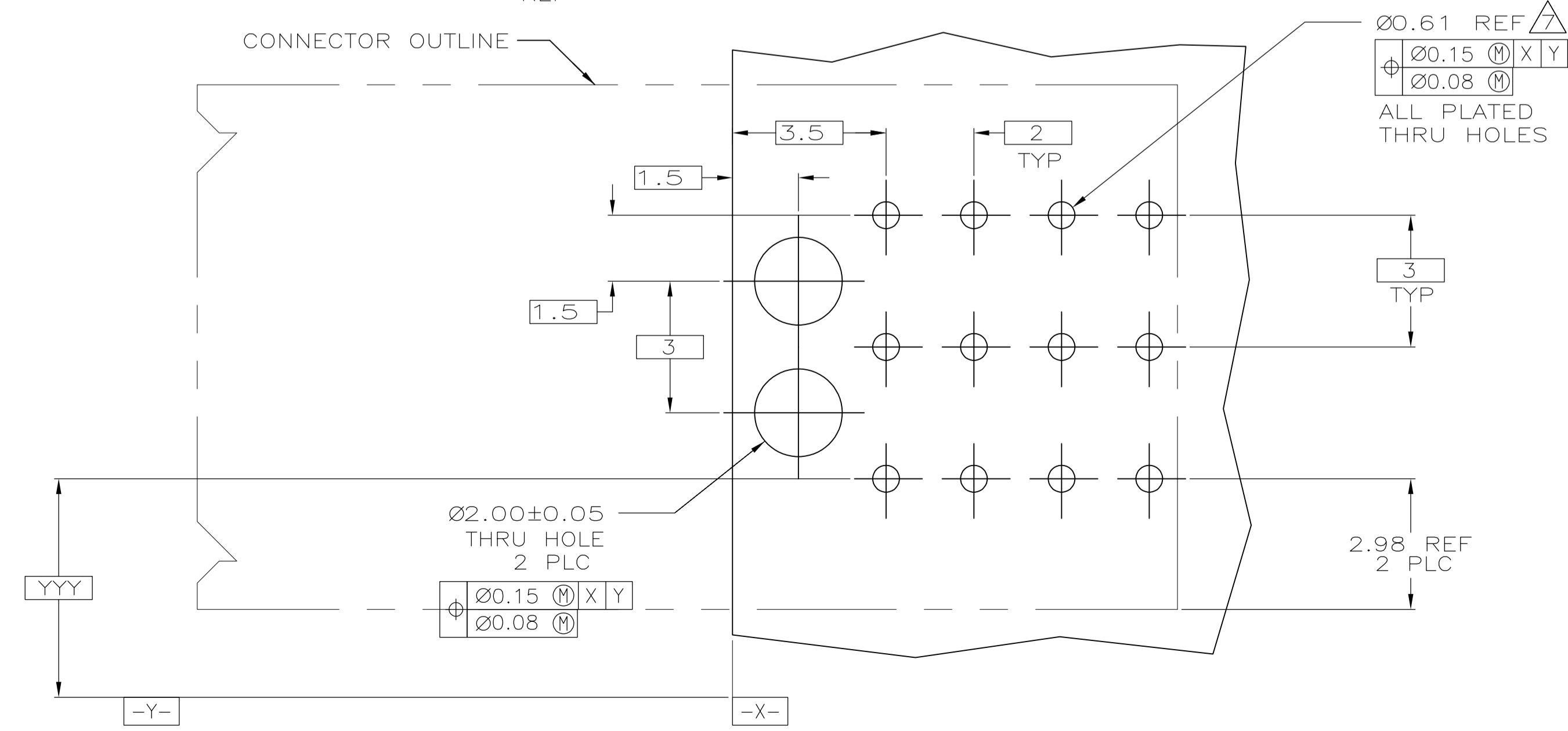
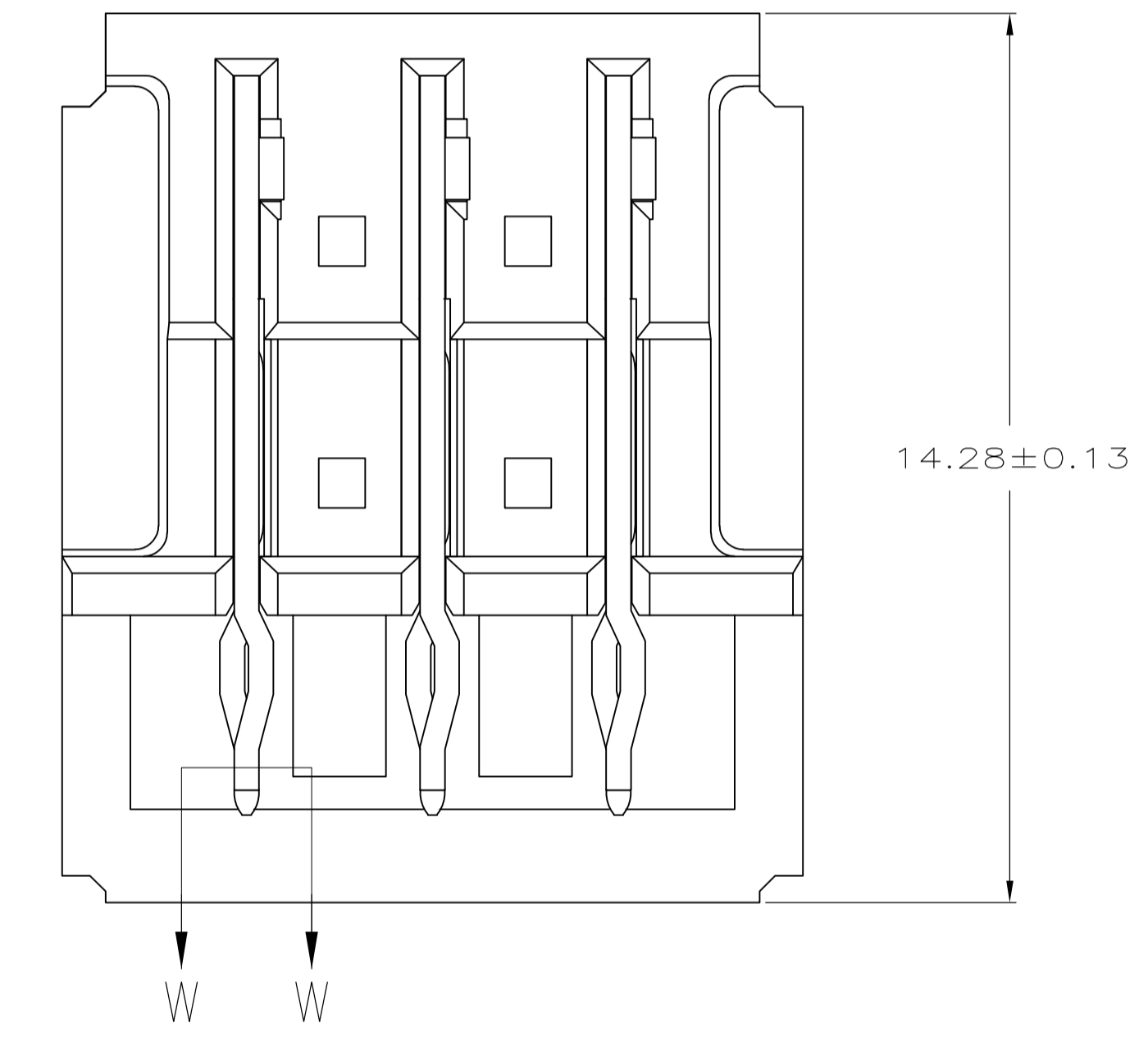
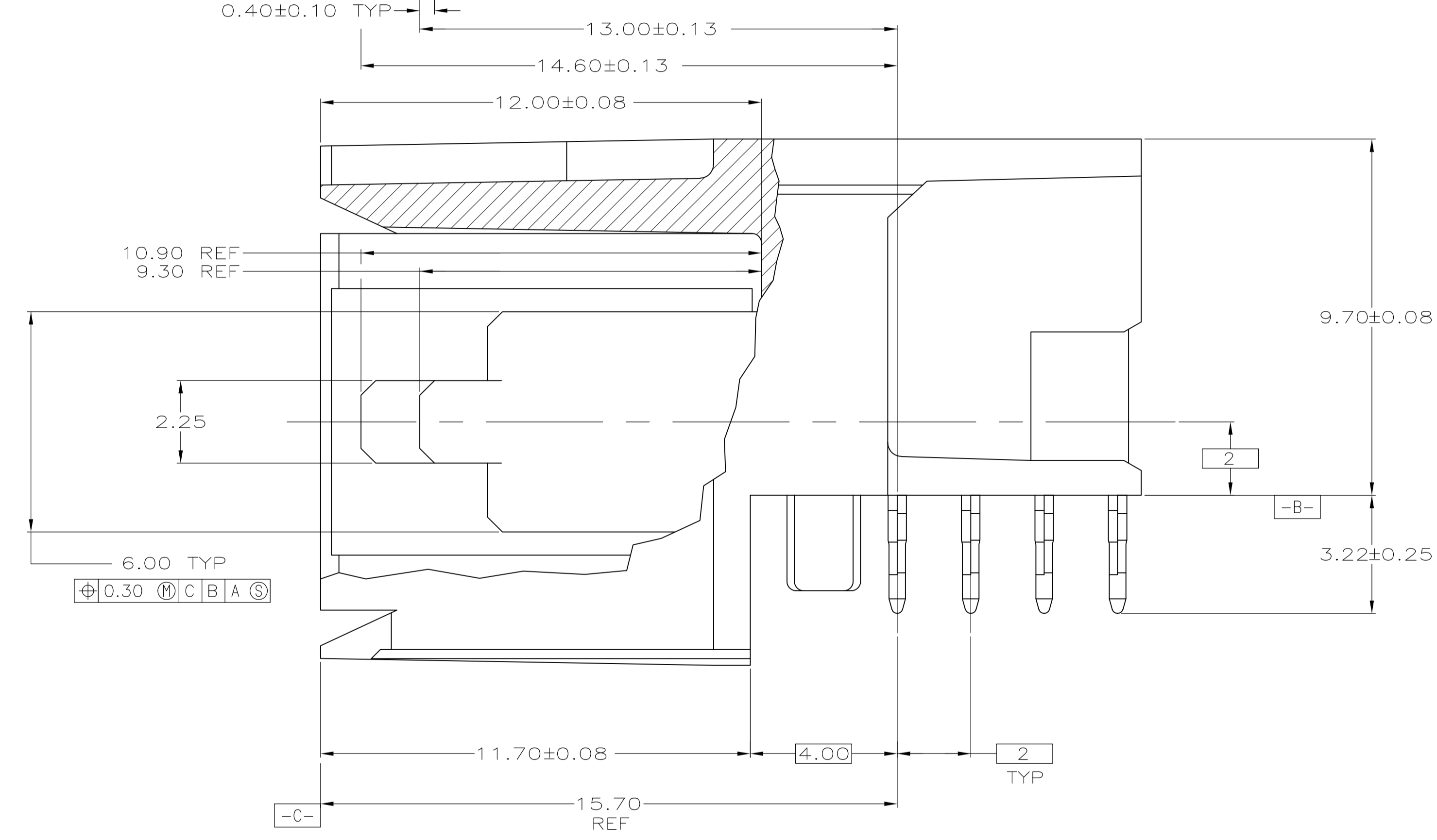
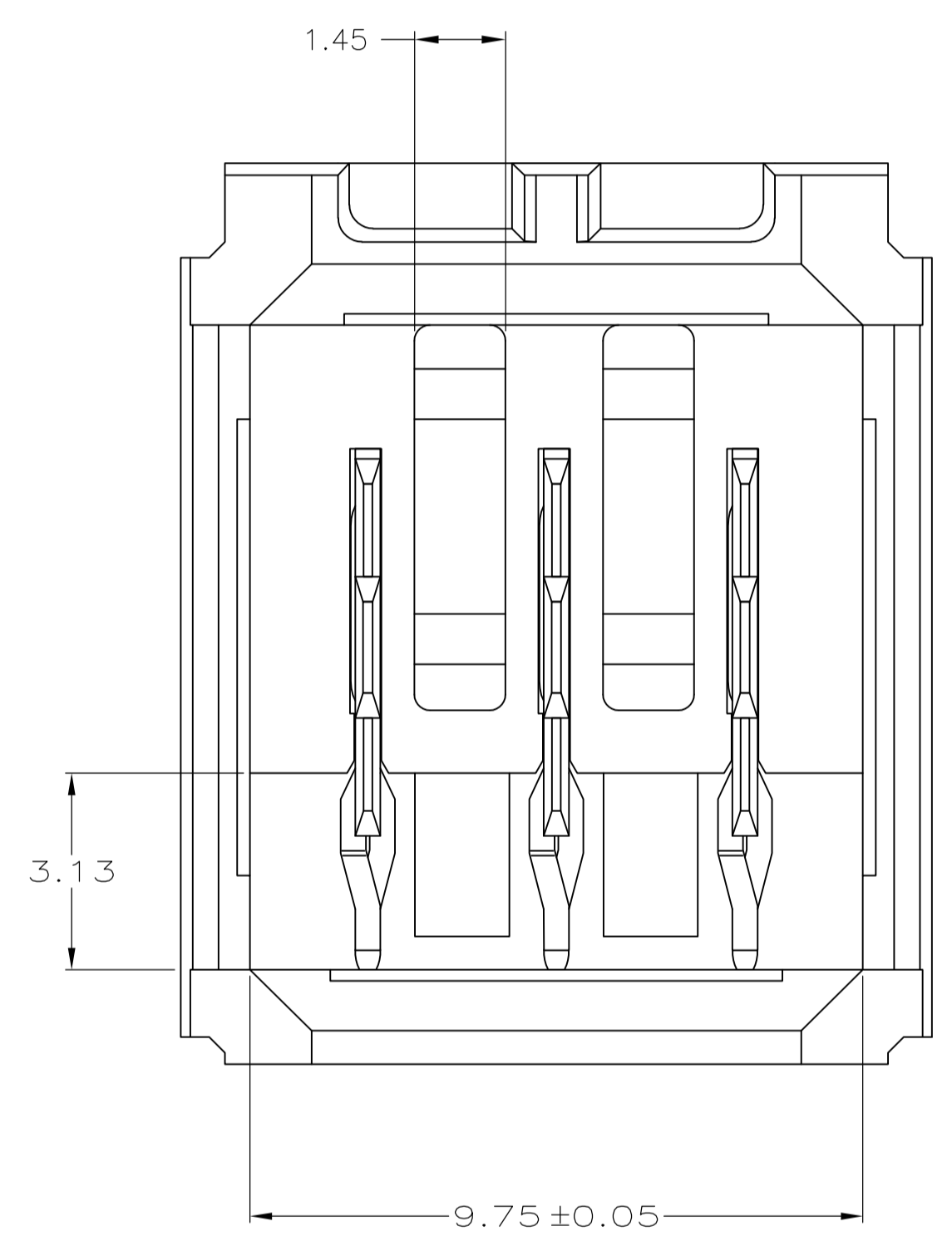


LOC	DIST	REVISIONS			
AD	00	REV	DESCRIPTION	DATE	BY
		N1	REVISED PER ECO-11-004835	11MAR11	RK HMR



- 1 MATERIAL: HOUSING: POLYESTER, COLOR; GRAY. UL 94V-0. CONTACT: PHOSPHOR BRONZE.
- 2 FINISH: CONTACT MATING AREA: 1.27µm MIN GOLD OR 0.08µm MIN GOLD OVER 0.76µm MIN PALLADIUM-NICKEL, ACTION PIN AREA: 0.5µm MIN TIN LEAD PLATE, ALL OVER 1.27µm MIN NICKEL UNDERPLATE.
- 3 FINISH: CONTACT LUBRICATION WITH BELLCORE APPROVED LUBRICANT, TECHNICAL REFERENCE: TR-NWT-001217 ISSUE 1, SEPT 1992.
- 4 MATERIAL: HOUSING: LCP; COLOR, BLUE. UL 94V-0. CONTACT: PHOSPHOR BRONZE.
- 5 NUMBER "2" MARKED IN THIS AREA.
- 6 RESTRICTED PART NUMEBR, CONTACT ENGINEERING
- 7 REFERENCE APPLICATION SPEC 114-1103 FOR RECOMMENDED PLATED THRU HOLE DIAMETER AND PLATING THICKNESSES.
- 8 CURRENT RATING 10A/CONTACT PER PRODUCT SPEC 108-1651.
- 9 OBSOLETE PARTS: OBSOLETE CIS STREAMLINING PER D.RENAUD/D.SINISI



REV	DESCRIPTION	DATE	BY
9	OBSOLETE		
	OBSOLETE		
	FINISH		
	PART NUMBER		

THIS DRAWING IS A CONTROLLED DOCUMENT.

DIMENSIONS:	TOLERANCES UNLESS OTHERWISE SPECIFIED:	DIN R. BUCHHEISTER 07/MAR/96	TE Connectivity
mm	0 PLC ± -	CHK N. NORRIS 08/MAR/96	ASSEMBLY, RIGHT ANGLE HEADER, W/ RETENTION PEGS, UNIVERSAL POWER MODULE
	1 PLC ± -	APP'D D.SINISI 08/MAR/96	SIZE A1
	2 PLC ± 0.13	NAME	SCALE 10:1
	3 PLC ± -	PRODUCT SPEC	SHEET 1 of 1
	4 PLC ± -	APPLICATION SPEC	REV N1
	ANGLES ± -	WEIGHT	
MATERIAL	FINISH	CUSTOMER DRAWING	