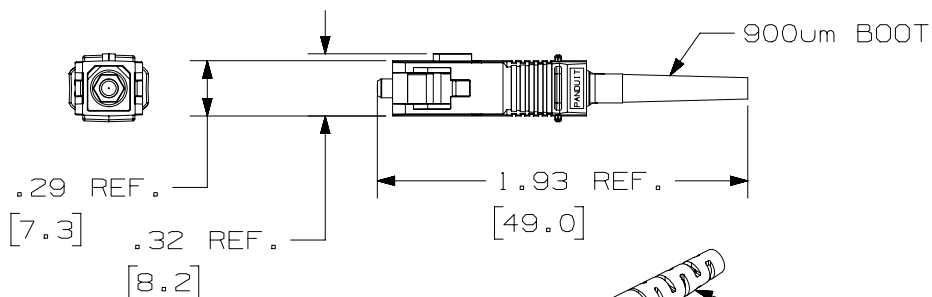
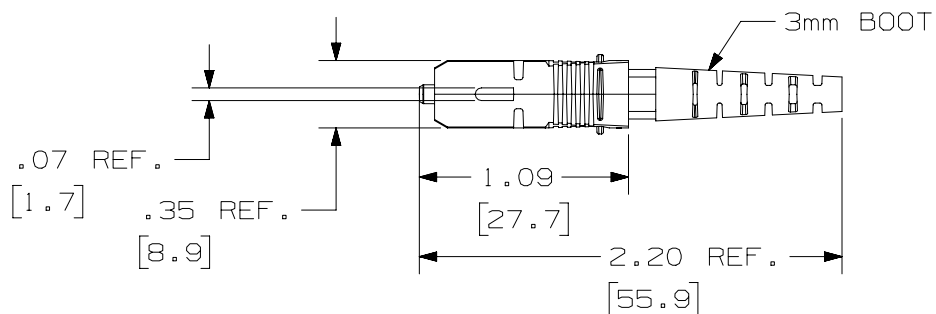
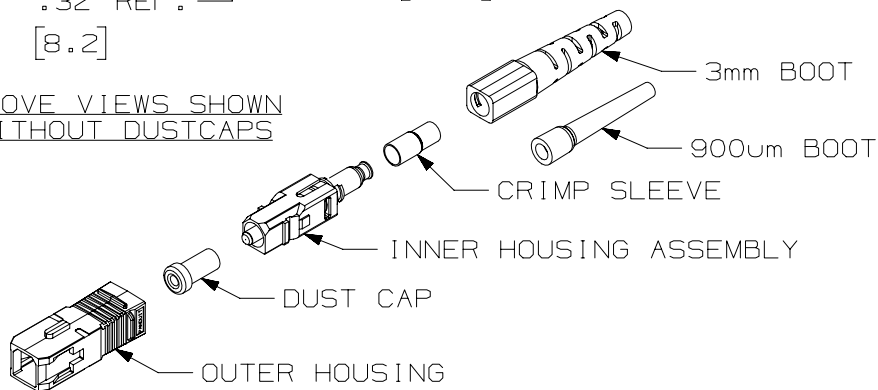


THIS COPY IS PROVIDED ON A RESTRICTED BASIS AND IS NOT TO BE USED IN ANY WAY DETRIMENTAL TO THE INTERESTS OF PANDUIT CORP.



ABOVE VIEWS SHOWN WITHOUT DUSTCAPS



EXPLODED ISOMETRIC VIEW
SCALE: .75 : 1

PANDUIT P/N	WEIGHT	FERRULE TYPE
FSCM**	.090 LBS/10 PCS.	ZIRCONIA
FSCSBU	(40.8 G/10 PCS.)	(CERAMIC)

NOTES:

- SEE CURRENT CATALOG FOR ADDITIONAL PART NUMBER SUFFIXES TO INDICATE COLOR AND/OR PACKAGE QUANTITY.
- MULTIMODE CONNECTORS (FSCM**) ACCEPT 50/125 OR 62.5/125 um MULTIMODE GLASS OPTICAL FIBER.
- SINGLEMODE CONNECTORS (FSCSBU) ACCEPT 9/125 um SINGLEMODE GLASS OPTICAL FIBER.
- MATERIALS:
 - A. OUTER HOUSING: POLYETHERIMIDE
 - B. BOOTS: THERMOPLASTIC ELASTOMER
 - C. CRIMP SLEEVE: BRASS
 - D. INNER HOUSING ASSEMBLY:
 - a. INNER HOUSING: POLYETHERIMIDE
 - b. SPRING: STAINLESS STEEL
 - c. BACKBONE: BRASS
 - d. FERRULE HOLDER: BRASS
 - e. FERRULE: ZIRCONIA (CERAMIC)
- COMPLIES WITH THE FIBER OPTIC PERFORMANCE REQUIREMENTS AS SPECIFIED IN TIA/EIA 568-A AND B.3
- COMPLIES WITH FOCIS-3 (TIA/EIA 604-3)
- DIMENSIONS IN [] ARE METRIC.

PART NUMBER		FSCM** , FSCSBU	
TITLE			
FIBER OPTIC SC CONNECTOR			
CUSTOMER DRAWING			
ITEM REVISION NAME		M01069AA/04	
DATASET FILE NAME		M01069AA_DC/04A	
UNLESS OTHERWISE SPECIFIED, DIMENSIONAL TOLERANCES ARE: IN [mm]		MATERIAL:	
.X ± .XX ±		.XXX ± ANGLES ±	
DRAWN BY		SCALE	
MC		NONE	
DATE		DRAWING NUMBER:	
06-21-01		01069-13	
CHK		SHT 1 OF 1	
JJR		A	

REV	DATE	BY	CHK	APR	DESCRIPTION	ECN
2	6/4/15	JSP	WJM	JGSW	A. REVISED DRAWING TITLE BLOCK.	01069-13

D10100DA/14