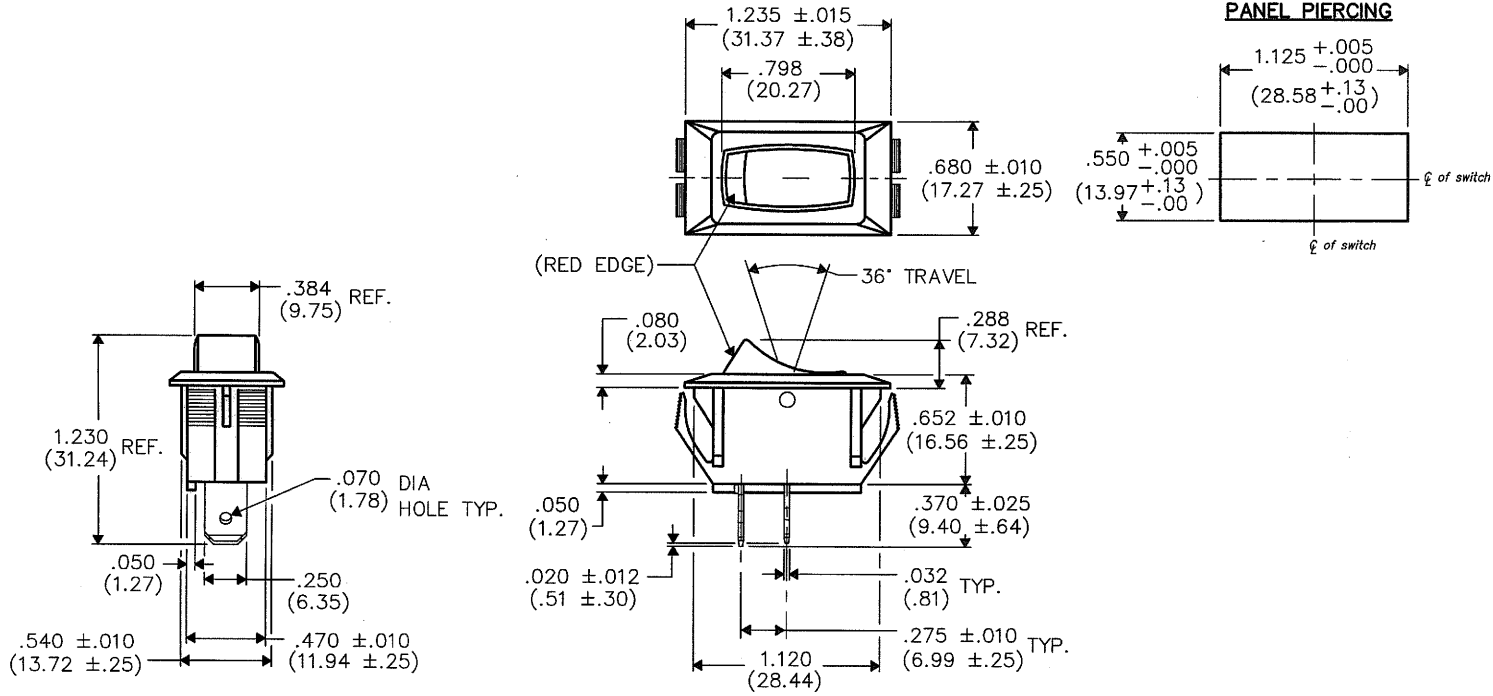


DIMENSIONS IN INCHES (MILLIMETERS)
DO NOT SCALE DRAWING

Dwg. No.
NAA-111-BI31-00

E
D
C
B
A



1 2 3 4 5 6 7 8 9 10

FORM-B4 REVISIONS RELEASED: 8-13-2008 DCW AUG 15 2008	<p>CW INDUSTRIES Southampton, Pa. 18966</p> <p>TOLERANCES UNLESS OTHERWISE SPECIFIED</p> <table border="1"> <tr> <td>2 Place Decimal ±.010</td> <td>METRIC</td> </tr> <tr> <td>3 Place Decimal ±.005</td> <td>1 Place Dec. ±.25mm</td> </tr> <tr> <td>Angles ±1°</td> <td>2 Place Dec. ±.13mm</td> </tr> </table>						2 Place Decimal ±.010	METRIC	3 Place Decimal ±.005	1 Place Dec. ±.25mm	Angles ±1°	2 Place Dec. ±.13mm	<p>Title: INDICON UNIBODY SWITCH ASSEMBLY 1.125" x .550" PANEL</p>	
	2 Place Decimal ±.010	METRIC												
	3 Place Decimal ±.005	1 Place Dec. ±.25mm												
	Angles ±1°	2 Place Dec. ±.13mm												
<p>Made for: CW IND.</p>						<p>Division: SWTCH</p>								
<p>Drawn by: DGW 8-13-2008</p>						<p>Dwg. No. NAA-111-BI31-00</p>								
<p>Checked by: <i>G. Guld</i> 8-14-08</p>						<p>Approval: <i>G. Guld</i> 8-14-08</p>								

MASTER