

## Single-Ended Bus Transceiver

### DESCRIPTION

The Si9241AEY is a monolithic bus transceiver designed to provide bidirectional serial communication in automotive diagnostic applications.

The device incorporates protection against overvoltages and short circuits to  $V_{BAT}$ . The transceiver pin is protected and can be driven beyond the  $V_{BAT}$  voltage.

The Si9241AEY is built on the Vishay Siliconix BiC/DMOS process. An epitaxial layer prevents latchup.

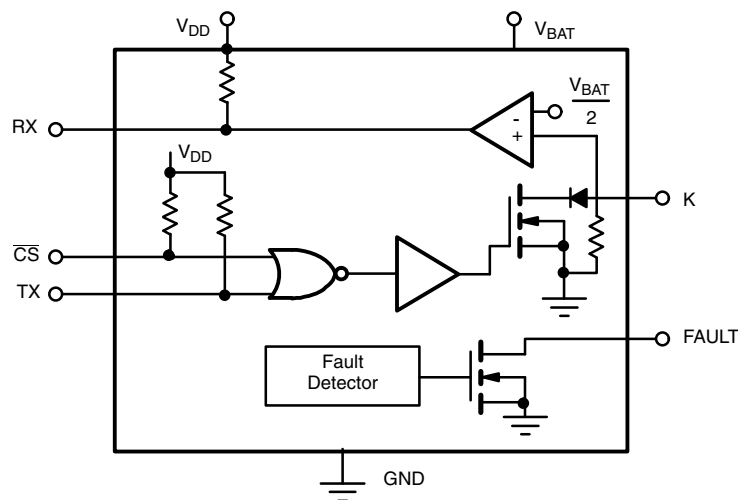
The RX output is capable of driving CMOS or 1 x LSTTL load.

The Si9241AEY is available in a space efficient 8-pin SO package. It operates reliably over the automotive temperature range (- 40 to 125 °C). The Si9241AEY is available in both standard and lead (Pb)-free packages.

### FEATURES

- Operating Power Supply Range  
 $6\text{ V} \leq V_{BAT} \leq 36\text{ V}$
- Reverse Battery Protection Down to  $V_{BAT} \geq -24\text{ V}$
- Standby Mode With Very Low Current Consumption  
 $I_{BAT(SB)} = 1\text{ }\mu\text{A}$  at  $V_{DD} = 0.5\text{ V}$
- Low Quiescent Current in OFF Condition  
 $I_{BAT} = 120\text{ }\mu\text{A}$  and  $I_{DD} \leq 10\text{ A}$
- ISO 9141 Compatible
- Overtemperature Shutdown Function For K Output
- Defined K Output OFF for Open GND
- Defined Receive Output Status for Open K Input
- Defined K Output OFF for TX Input Open
- Open Drain Fault Output
- 2 kV ESD
- Typical Transmit Speeds of 200 kBaud

### PIN CONFIGURATION AND FUNCTIONAL BLOCK DIAGRAM

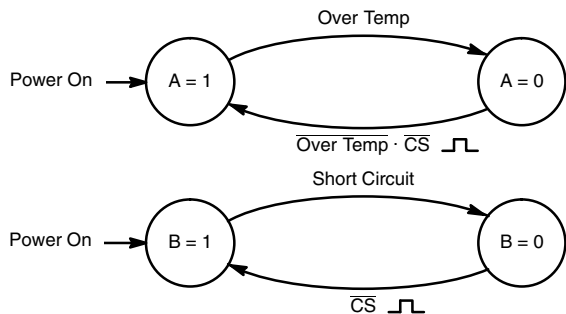


# Si9241A

Vishay Siliconix



## OUTPUT TABLE AND STATE DIAGRAMS



Note: Over Temp is an internal condition, not meant to be a logic signal.

INPUTS		STATE VARIABLE		OUTPUT TABLE			Comments
$\overline{CS}$	TX	A	B	RX	K	$\overline{FAULT}$	
0	0	1	1	0	0	1	
0	1	1	1	1	1	1	
X	X	0	1	K	HiZ	0	Over Temp Short Circuit
0	X	1	0	K	HiZ	0	
1	X	1	1	0	0	1	Receive Mode
1	X	1	1	1	1	1	

X = "1" or "0"  
HiZ = High Impedance State

ABSOLUTE MAXIMUM RATINGS		
Parameter	Limit	Unit
<b>Voltages Referenced to Ground</b>		
Voltage On $V_{BAT}$	- 24 to 45	V
Voltage K	- 16 to ( $V_{BAT} + 1$ )	
Voltage Difference $V_{(VBAT, K)}$	55	
Voltage or Max. Current On Any Pin (Except $V_{BAT}$ , K)	- 0.3 to ( $V_{DD} + 0.3$ V) or 10	mA
Voltage on $V_{DD}$	7	V
K Pin Only, Short Circuit Duration (to $V_{BAT}$ or GND)	Continuous	
Operating Temperature ( $T_A$ )	- 40 to 125	°C
Junction and Storage Temperature	- 55 to 150	
Thermal Impedance ( $\Theta_{JA}$ )	125	°C/W

Stresses beyond those listed under "Absolute Maximum Ratings" may cause permanent damage to the device. These are stress ratings only, and functional operation of the device at these or any other conditions beyond those indicated in the operational sections of the specifications is not implied. Exposure to absolute maximum rating conditions for extended periods may affect device reliability.

RECOMMENDED OPERATING RANGE		
Parameter	Limit	Unit
<b>Voltages Referenced to Ground</b>		
$V_{DD}$	4.5 to 5.5	V
$V_{BAT}$	6 to 36	
K	6 to 36	
Digital Inputs	0 to $V_{DD}$	



SPECIFICATIONS							
Parameter	Symbol	Test Conditions Unless Specified $V_{DD} = 4.5 \text{ V to } 5.5 \text{ V}$ $V_{BAT} = 6 \text{ V to } 36 \text{ V}$	Temp. <sup>a</sup>	Limits - 40 to 125 °C			Unit
				Min. <sup>b</sup>	Typ. <sup>c</sup>	Max. <sup>b</sup>	
<b>Transmitter and Logic Levels</b>							
$\overline{CS}$ , TX Input Low Voltage	$V_{ILT}$		Full			1.5	V
$\overline{CS}$ , TX Input High Voltage	$V_{IHT}$		Full	3.5			
TX Input Capacitance <sup>d</sup>	$C_{INT}$		Full			10	pF
$\overline{CS}$ , TX Input Pull-up Resistance	$R_{TX}$	$V_{DD} = 5.5 \text{ V}$ , TX or $\overline{CS} = 1.5 \text{ V}$ , 3.5 V	Full	10	20	40	k $\Omega$
<b>K Transmit</b>							
K Output Low Voltage	$V_{OLK}$	$R_L = 510 \Omega \pm 5\%$ , $V_{BAT} = 6$ to 18	Full			$0.2 V_{BAT}$	V
		$R_L = 1 \text{ k}\Omega \pm 5\%$ , $V_{BAT} = 16$ to 36	Full			$0.2 V_{BAT}$	
		$R_L = 510 \Omega \pm 5\%$ , $V_{BAT} = 4.5$	Full			1.2	
K Output High Voltage	$V_{OHK}$	$R_L = 510 \Omega \pm 5\%$ , $V_{BAT} = 4.5$ to 18	Full	$0.95 V_{BAT}$			V
		$R_L = 1 \text{ k}\Omega \pm 5\%$ , $V_{BAT} = 16$ to 36	Full	$0.95 V_{BAT}$			
K Rise, Fall Times	$t_{r, ff}$	See Test Circuit	Full			9.6	$\mu\text{s}$
K Output Sink Resistance	$R_{si}$	$\overline{CS} = 0 \text{ V}$ , TX = 0 V	Full			110	$\Omega$
K Output Capacitance <sup>d</sup>	$C_O$		Full			20	pF
<b>Receiver</b>							
K Input Low Voltage	$V_{ILK}$		Full			$0.35 V_{BAT}$	V
K Input High Voltage	$V_{IHK}$		Full	$0.65 V_{BAT}$			
K Input Hysteresis <sup>c, d</sup>	$V_{HYS}$		Full		$0.05 V_{BAT}$		
K Input Currents	$I_{IHK}$	$\overline{CS} = 4$	Full	$V_{IHK} = V_{BAT}$		20	$\mu\text{A}$
RX Output Low Voltage	$V_{OLR}$		$V_{ILK} = 0.35 V_{BAT}$ $I_{OLR} = 1 \text{ mA}$	Full			0.4
RX Pull-up Resistance	$R_{RX}$		Full	5		20	k $\Omega$
RX Turn On Delay	$t_{d(on)}$	$R_L = 510 \Omega \pm 5\%$ , $V_{BAT} = 6 \text{ V to } 18 \text{ V}$ $C_L = 10 \text{ nF}$ , See Test Circuit	Full		3	10	$\mu\text{s}$
		$R_L = 1 \text{ k}\Omega \pm 5\%$ , $V_{BAT} = 16 \text{ V to } 36 \text{ V}$ $C_L = 4.7 \text{ nF}$ , See Test Circuit	Full		3	10	
RX Turn Off Delay	$t_{d(off)}$	$R_L = 510 \Omega \pm 5\%$ , $V_{BAT} = 6 \text{ V to } 18 \text{ V}$ $C_L = 10 \text{ nF}$ , See Test Circuit	Full		3	10	$\mu\text{s}$
		$R_L = 1 \text{ k}\Omega \pm 5\%$ , $V_{BAT} = 16 \text{ V to } 36 \text{ V}$ $C_L = 4.7 \text{ nF}$ , See Test Circuit	Full		3	10	
<b>Supplies</b>							
Bat Supply Current On	$I_{BAT(on)}$	$\overline{CS} = TX = 0 \text{ V}$ , $V_{BAT} \leq 16 \text{ V}$	Full		1.2	3	mA
Bat Supply Current Off	$I_{BAT(off)}$	$\overline{CS} = \text{High}$ , $V_{BAT} \leq 12 \text{ V}$ , TX = High <sup>f</sup>	Full		120	220	$\mu\text{A}$
Bat Supply Current Standby	$I_{BAT(SB)}$	$V_{DD} \leq 0.5 \text{ V}$ , $V_{BAT} \leq 12 \text{ V}$	Full		< 1	10	
Logic Supply Current On	$I_{DD(on)}$	$V_{DD} \leq 5.5 \text{ V}$ , TX = 0 V	Full		1.4	2.3	mA
Logic Supply Current Off	$I_{DD(off)}$	$\overline{CS} = \text{High}$ , $V_{BAT} \leq 12 \text{ V}$ , TX = High <sup>f</sup>	Full			10	$\mu\text{A}$
<b>Miscellaneous</b>							
TX Transmit Baud Rate	$BR_T$	$R_L = 510 \Omega$ , $C_L = 10 \text{ nF}$	Full	10.4			kBaud
RX Receive Baud Rate <sup>c</sup>	$BR_R$	$6 \text{ V} < V_{BAT} < 16 \text{ V}$ , $C_{RX} = 20 \text{ pF}$	Full		200		
Transmission Frequency	$f_{K-RXK}$	$6 \text{ V} < V_{BAT} < 16 \text{ V}$ , $R_K = 510 \Omega$ , $C_K \leq 1.3 \text{ nF}$	Full	50	200		kHz
Fault Output Low Voltage	$V_{OLF}$	$\overline{CS} = TX = 0$ , $K = V_{BAT}$ , $I_{OLF} = 1 \text{ mA}$	Full			0.4	V
$\overline{CS}$ Minimum Pulse Width <sup>d, e</sup>	$t_{cs}$		Full	1			$\mu\text{s}$
Over Temperature Shutdown <sup>d</sup>	$T_{SHUT}$	Temperature Rising		160	180		°C
Temperature Shutdown Hysteresis <sup>c</sup>	$T_{HYST}$				30		

## Notes:

a. Room = 25 °C, Cold and Hot = as determined by the operating temperature suffix.

b. The algebraic convention whereby the most negative value is a minimum and the most positive a maximum, is used in this data sheet.

c. Typical values are for DESIGN AID ONLY, not guaranteed nor subject to production testing.

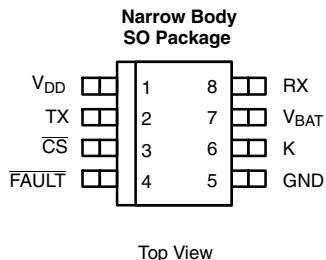
d. Guaranteed by design, not subject to production test.

e. Minimum pulse width to reset a fault condition.

f. High refers to Logic High and Low refers to Logic Low.

**Si9241A**

Vishay Siliconix

**PIN CONFIGURATION****ORDERING INFORMATION**

Part Number	Temperature Range
Si9241AEY-T1	- 40 °C to 125 °C
Si9241AEY-T1-E3 (Lead (Pb)-free)	

**PIN DESCRIPTION**

Pin Number	Symbol	Description
1	$V_{DD}$	Positive Power Supply
2	TX	Transmit, Input
3	$\overline{CS}$	Chip Select, Input
4	$\overline{FAULT}$	Fault, Open Drain Output
5	GND	Ground Connection
6	K	Transmit/Receive, Bidirectional
7	$V_{BAT}$	Battery Power Supply
8	RX	Receiver, Output

**FUNCTIONAL DESCRIPTION**

The Si9241AEY can be either in transmit or receive mode and it contains over temperature, and short circuit  $V_{BAT}$  fault detection circuits.

The voltage on K is internally compared to  $V_{BAT/2}$ . If the voltage on the K pin is less than  $V_{BAT/2}$  then RX output will be "low". If the voltage on the K pin is greater than  $V_{BAT/2}$  then RX output will be "high".

In order to be in transmit mode,  $\overline{CS}$  must be set "low". When  $\overline{CS}$  and TX are set "low" the internal MOSFET will turn on, causing the K pin to be "low". In the transmit mode, the processor monitors RX and TX. When the two mirror each other there is no fault. In the event of over temperature, or short circuit to  $V_{BAT}$ , the Si9241AEY will turn off the K output to protect the IC and the external open drain FAULT pin will

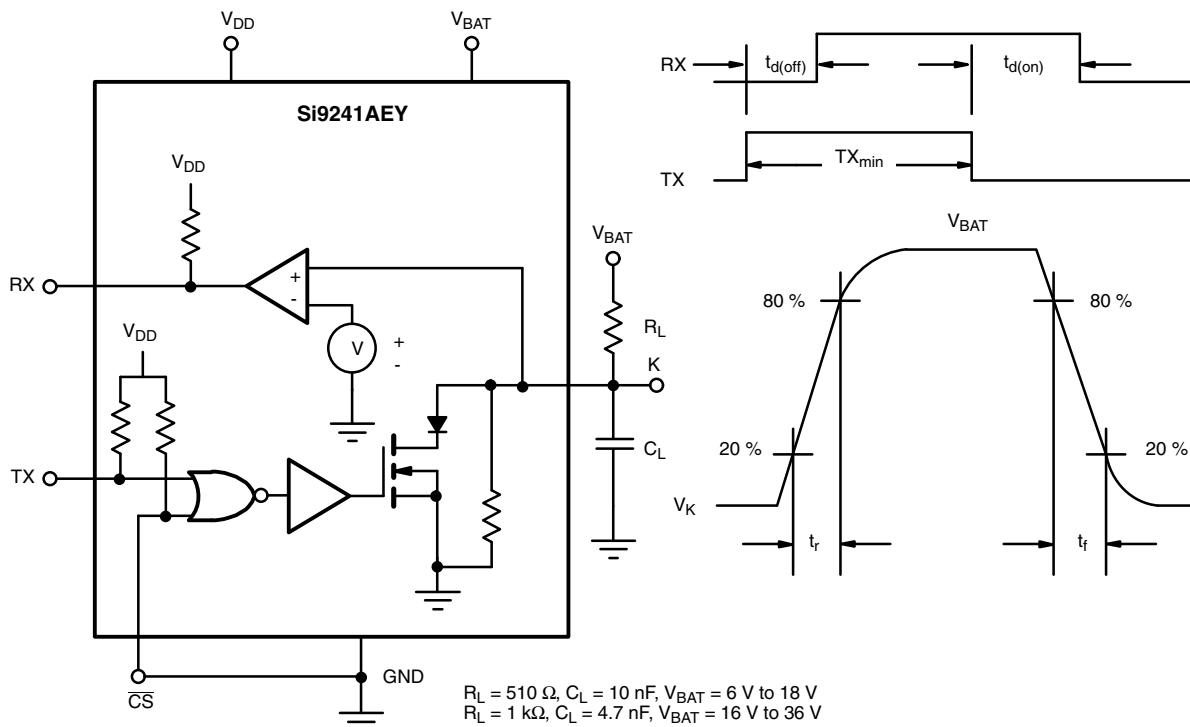
be asserted. The K pin will stay in high impedance and RX will follow the K pin. The fault will be reset when  $\overline{CS}$  is toggled high. RX,  $\overline{CS}$  and TX pins have an internal pull up resistor to  $V_{DD}$  while the K pin has internal pull down resistors. When any one of the TX,  $V_{BAT}$  or GND pins is open the K output is off.

When  $\overline{CS}$  is set "high" the Si9241AEY is in receive mode and the internal MOSFET for the K pin is turned off. The RX output will follow the K pin. If  $\overline{CS}$  is "low" while the IC is receiving data, an incorrect fault signal will occur.

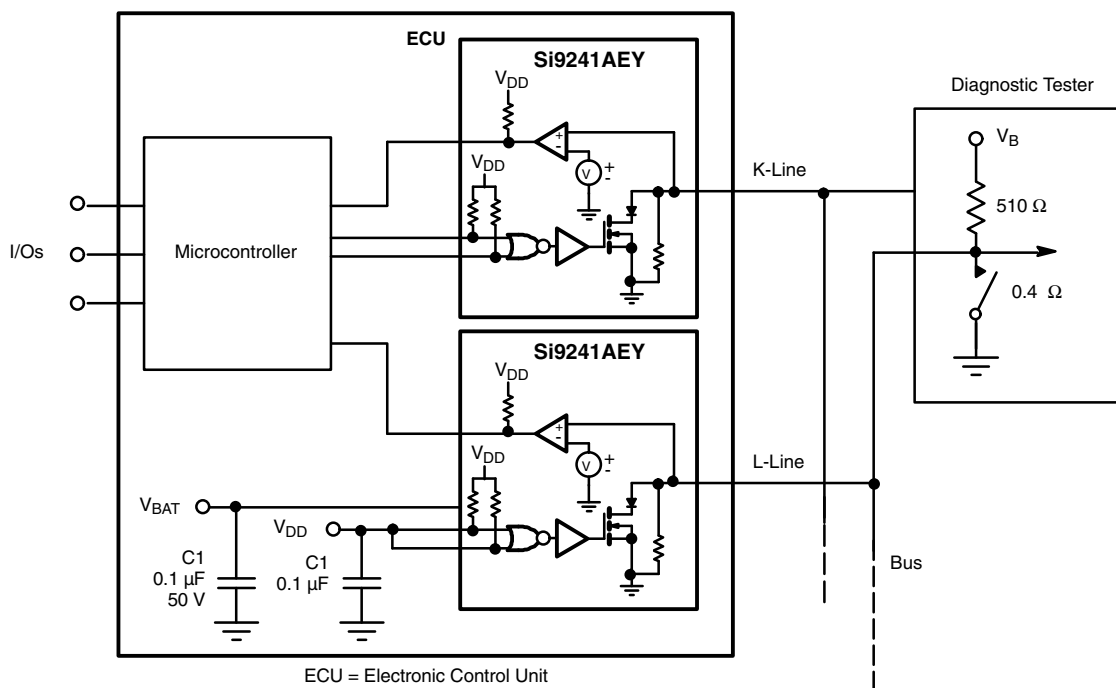
To inhibit the short detect, tie  $\overline{CS}$  and TX together.



**TEST CIRCUIT AND TIMING DIAGRAMS (TRANSMIT ONLY)**



**APPLICATIONS CIRCUIT**



Vishay Siliconix maintains worldwide manufacturing capability. Products may be manufactured at one of several qualified locations. Reliability data for Silicon Technology and Package Reliability represent a composite of all qualified locations. For related documents such as package/tape drawings, part marking, and reliability data, see [www.vishay.com/ppg?70787](http://www.vishay.com/ppg?70787).

## SOIC (NARROW): 8-LEAD

JEDEC Part Number: MS-012



DIM	MILLIMETERS		INCHES	
	Min	Max	Min	Max
A	1.35	1.75	0.053	0.069
A <sub>1</sub>	0.10	0.20	0.004	0.008
B	0.35	0.51	0.014	0.020
C	0.19	0.25	0.0075	0.010
D	4.80	5.00	0.189	0.196
E	3.80	4.00	0.150	0.157
e	1.27 BSC		0.050 BSC	
H	5.80	6.20	0.228	0.244
h	0.25	0.50	0.010	0.020
L	0.50	0.93	0.020	0.037
q	0°	8°	0°	8°
S	0.44	0.64	0.018	0.026
ECN: C-06527-Rev. I, 11-Sep-06				
DWG: 5498				



## **Disclaimer**

ALL PRODUCT, PRODUCT SPECIFICATIONS AND DATA ARE SUBJECT TO CHANGE WITHOUT NOTICE TO IMPROVE RELIABILITY, FUNCTION OR DESIGN OR OTHERWISE.

Vishay Intertechnology, Inc., its affiliates, agents, and employees, and all persons acting on its or their behalf (collectively, "Vishay"), disclaim any and all liability for any errors, inaccuracies or incompleteness contained in any datasheet or in any other disclosure relating to any product.

Vishay makes no warranty, representation or guarantee regarding the suitability of the products for any particular purpose or the continuing production of any product. To the maximum extent permitted by applicable law, Vishay disclaims (i) any and all liability arising out of the application or use of any product, (ii) any and all liability, including without limitation special, consequential or incidental damages, and (iii) any and all implied warranties, including warranties of fitness for particular purpose, non-infringement and merchantability.

Statements regarding the suitability of products for certain types of applications are based on Vishay's knowledge of typical requirements that are often placed on Vishay products in generic applications. Such statements are not binding statements about the suitability of products for a particular application. It is the customer's responsibility to validate that a particular product with the properties described in the product specification is suitable for use in a particular application. Parameters provided in datasheets and / or specifications may vary in different applications and performance may vary over time. All operating parameters, including typical parameters, must be validated for each customer application by the customer's technical experts. Product specifications do not expand or otherwise modify Vishay's terms and conditions of purchase, including but not limited to the warranty expressed therein.

Except as expressly indicated in writing, Vishay products are not designed for use in medical, life-saving, or life-sustaining applications or for any other application in which the failure of the Vishay product could result in personal injury or death. Customers using or selling Vishay products not expressly indicated for use in such applications do so at their own risk. Please contact authorized Vishay personnel to obtain written terms and conditions regarding products designed for such applications.

No license, express or implied, by estoppel or otherwise, to any intellectual property rights is granted by this document or by any conduct of Vishay. Product names and markings noted herein may be trademarks of their respective owners.