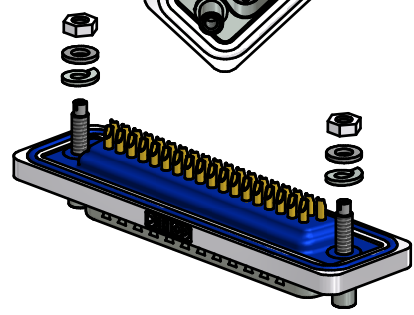
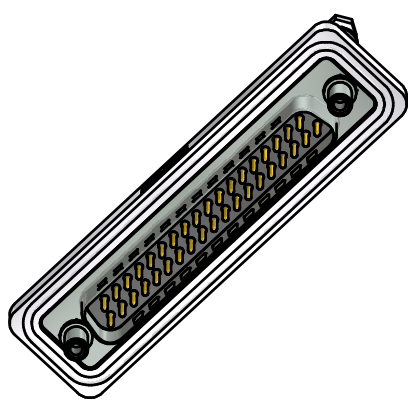
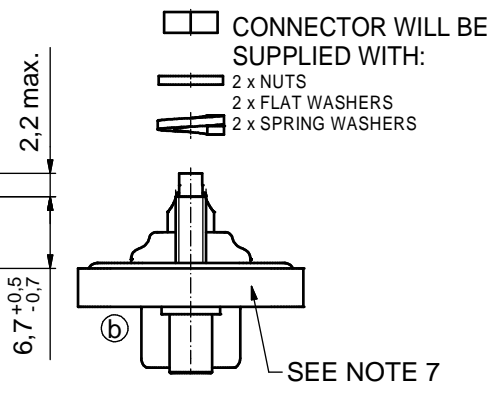
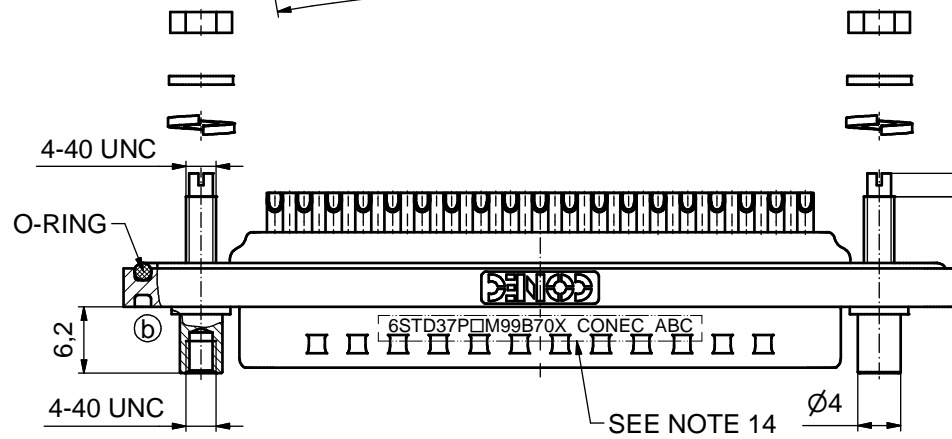
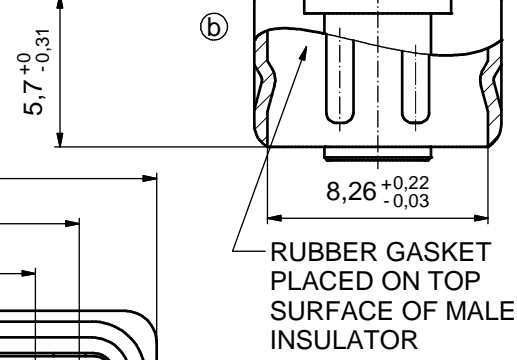
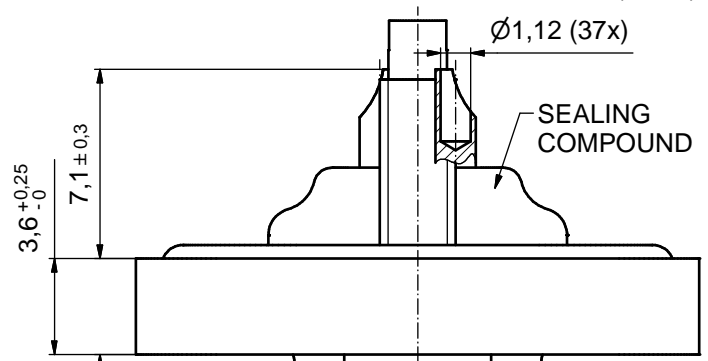
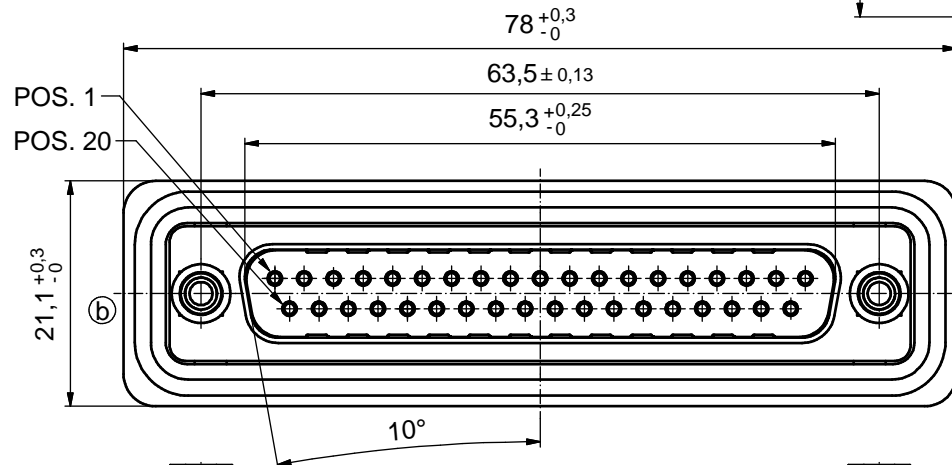


(b) NOTES:

1. RECOMMENDED SOLDER INSTRUCTION SEE SHEET 2
2. METALSHELLS: COPPER ALLOY; min. 320µin TIN over 40-80µin NICKEL
3. INSULATORS: PBT GF UL 94 V-0; BLACK
4. SIGNAL CONTACTS: COPPER ALLOY; PLATING (SEE PART NO.):
  - PLEASE ADD C for 30µin HARD GOLD over min. 50µin NICKEL
  - PLEASE ADD B for 20µin HARD GOLD over min. 50µin NICKEL
  - PLEASE ADD A for GOLD FLASH over NICKEL (PREFERRED TYPE)
- SOLDER CUP ACCEPTS CABLE AWG 20
5. THREADED LOCKS: COPPER ALLOY; min. 200µin TIN over 80µin NICKEL
6. COLLARS: COPPER ALLOY, min. 200µin TIN over 80µin NICKEL
7. FRAME: ZINC DIE CAST; NICKEL PLATED
8. STUD BOLTS / 4-40 UNC: STEEL; TIN PLATED
9. O-RING: SILICON; BLUE
10. SEALING COMPOUND: PUR; BLUE
11. RUBBER GASKET: TPE; BLACK
12. RECOMMENDED PANEL CUT-OUT ON SHEET 2
13. RECOMMENDED TORQUE FOR STUD BOLT 35Ncm (3,1 in.LB) / max. 40Ncm (3,5 in.LB)
14. CONNECTOR IS PART MARKED: [6STD37P□M99B70X CONEC ABC] (see note 4)

(5 : 1)



Directive 2002/95/EC RoHS compliant

AT ALL TIMES WATER RESISTANT CONNECTORS NOT IN USE SHOULD BE COVERED WITH A CONEC WATER RESISTANT CAP OR WATER TIGHT HOOD.

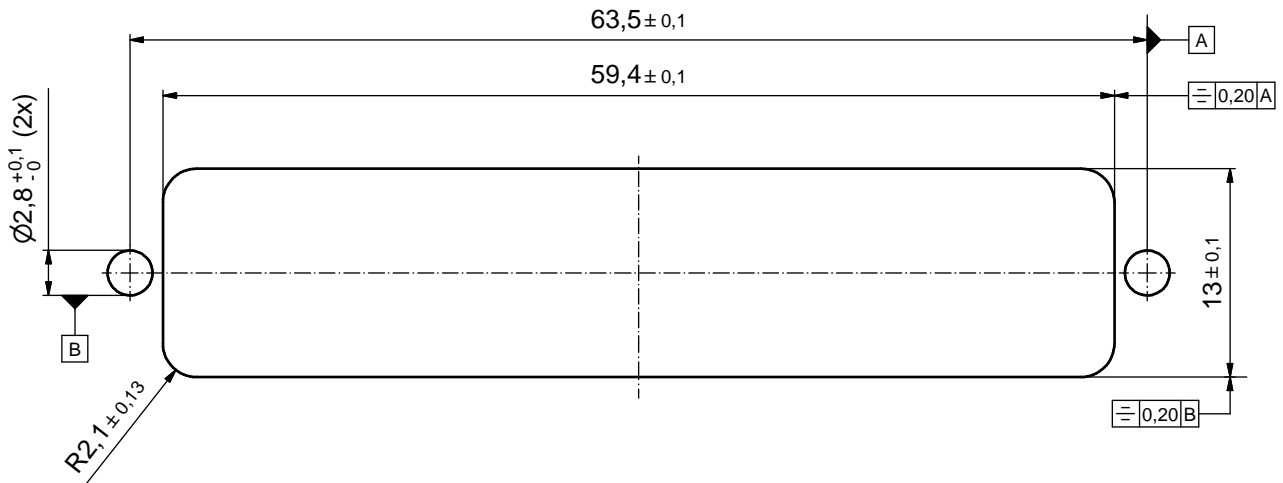
THIS DRAWING MAY NOT BE COPIED OR REPRODUCED IN ANY WAY, AND MAY NOT BE PASSED ON TO A THIRD PARTY WITHOUT WRITTEN PERMISSION. OWNERSHIP AND COPYRIGHT OF CONEC GmbH				tolerance		dim. in mm	scale: 2:1 (5:1)	
				date			material: SEE NOTES	
DO NOT ALTER CAD DRAWING BY HAND				drawn	01.07.13	Lehmenkühler		title: <b>D-SUB MALE</b> 37pos. SOLDER CUP with threaded lock and 4-40 UNC stud bolt
				appd.	02.07.13	Fischer		
5 x b				Ä 4815	02.07.2013	Lehm.		
a				Original				<b>15K1A1333</b>
rev. description				date	name	<b>CONEC</b>		DIN-A3
								sh: 1
								part no: 6STD37P□M99B70X (see note 4)

ⓑ

**Solder Instruction**

1. Cable should be prepared for soldering. The cable/wires must be pretinned.
2. Insert cable/wire into solder cup.
3. Operate the soldering iron at 350°C, 50 Watt max . and use a pencil tip.
4. Put tip to wire in solder cup.
5. After 1 second bring in solder.
6. Heat for 3 seconds longer. Do not heat contact more than 4 seconds in total.
7. Remove soldering iron.
8. Wait until solder gets rigid again.
9. Do not solder adjacent contacts consecutively,  
alternate position within the connector to minimize heat build up.

**RECOMMENDED PANEL CUT-OUT**



THIS DRAWING MAY NOT BE COPIED OR REPRODUCED IN ANY WAY, AND MAY NOT BE PASSED ON TO A THIRD PARTY WITHOUT WRITTEN PERMISSION. OWNERSHIP AND COPYRIGHT OF CONEC GmbH DO NOT ALTER CAD DRAWING BY HAND				tolerance		scale: 3:1
				date	name	material: SEE SHEET 1
				drawn	01.07.13	Lehmenkühler
				appd.	02.07.13	Fischer
				norm		
			d-old			
1 x b	Ä4815	02.07.2013	Lehm.	<b>PANEL CUT-OUT</b> D-SUB MALE 37pos. SOLDER CUP with threaded lock and 4-40 UNC stud bolt		
a	Original					
dwg no:		15K1A1333			DIN-A3	
part no:		SEE SHEET 1			sh: 2	