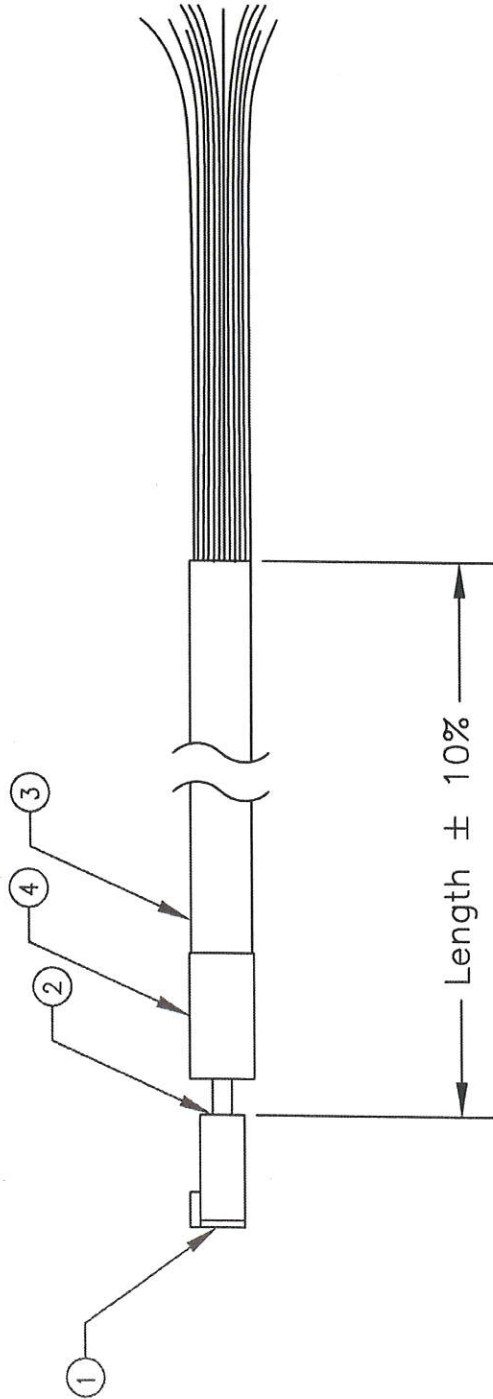


REVISIONS

REV.	DESCRIPTION	DATE	CMPLT. BY	APPRV.
A	CHANGED CABLE TO ALL 22AWG	1/30/97	SB	DLC
B	ADDED DIFFERENT LENGTHS	1/19/98	DLC	SB
C	ADD 30 FT LENGTH	2/10/00	MJL	PSH
D	ADD 5.0M LENGTH	9/19/01	PSH	PSH



- NOTES:  
 1. FLYING LEADS TO BE 100mm LONG  
 2. DO NOT STRIP FLYING ENDS

CATALOG NO.	LENGTH (m)
998282	1.0
998283	2.0
996607	2.5
996684	3.0
998644	30FT(9.144m)
998790	5.0

PARTS LIST		
BUB. #	DESCRIPTION	QTY.
1	CONNECTOR 40-PIN FEMALE	1
2	CRIMP AND POKE TERMINAL	40
3	CABLE 40 COND 22AWG	A/R
4	SHRINK TUBING	50mm

TOLERANCE ON :  
 X = ± 0.508 mm  
 XX = ± 0.254 mm  
 XXX = ± 0.127 mm  
 XXXX = ± 0.076 mm  
 ( ) INDICATES REFERENCE DIMENSIONS

UNLESS OTHERWISE SPECIFIED ALL DIMENSIONS ARE IN MILLIMETERS

PROPRIETARY RIGHTS :  
 THIS DOCUMENT INCLUDES DESIGN AND ENGINEERING CONCEPTS WHICH INVOLVE PROPRIETARY AND CONFIDENTIAL INFORMATION OF WEIDMULLER INC. AND THIS DOCUMENT OR ITS CONTENTS MAY NOT BE DISCLOSED TO OTHERS, REPRODUCED, COPIED OR USED WITHOUT THE WRITTEN PERMISSION FROM WEIDMULLER INC. IN RICHMOND, VIRGINIA.

TITLE  
 PLC CABLE W/O FPA 40P

CAT. NO. VARIOUS  
 DRAWN BY SB  
 APPROVED BY KMR  
 REL. DATE 9/30/96

DISTRIBUTION:  P/N  DWG  PROD.  INSP.  OTHER

PRODUCTION RELEASE PAGE 1 SCALE: DO NOT SCALE SHEET 1 OF 2 SIZE: A DRAWING NUMBER 1100204 REV. D

WEIDMULLER INC. 821 SOUTHLAKE BLVD. RICHMOND, VIRGINIA 23235