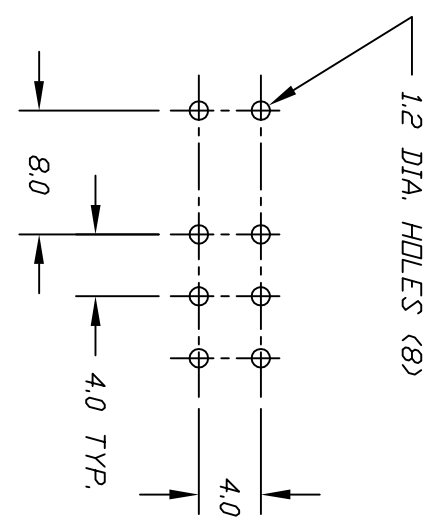
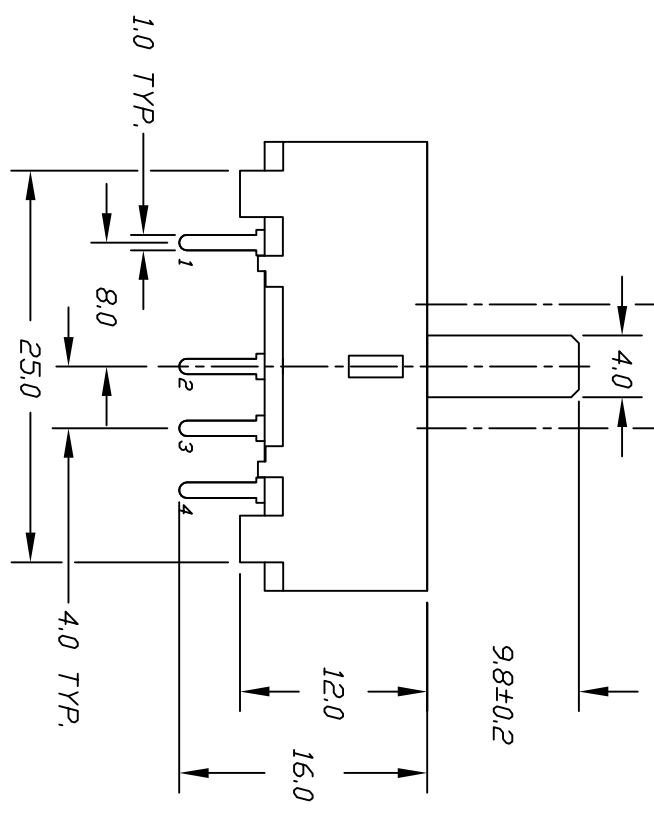
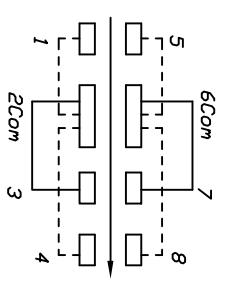
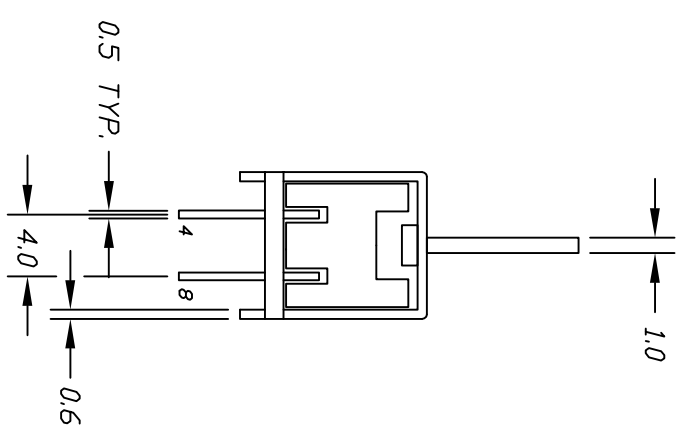


PDS. 2
PDS. 1
PDS. 3



RECOMMEND P.C.B. HOLES



CIRCUIT: DP3T

CONTACT CONFIGURATION

SWITCH FUNCTION			
PDS. 1	PDS. 2	PDS. 3	
2-1	2-3	2-4	
6-5	6-7	6-8	

- NOTES:
1. ALL DIMENSIONS IN MM (IN)
 2. TERM. NOS. FOR REF ONLY
 3. RATING: DC 30V, 0.3A
 4. TRAVEL: 4.0mm
 5. TIMING: NON-SPECIFIED
 6. 2002/95/EC (RHS) COMPLIANT

ADD TIMING NOTE		1/20/09	BLR
RELEASED FOR PRODUCTION		DATE	CHKD
REV.	DESCRIPTION	DATE	CHKD
THE INFORMATION CONTAINED IN THIS DOCUMENT IS PROPRIETARY TO E-SWITCH AND IS NOT TO BE COPIED OR TRANSFERRED			
TOLERANCES			
0.0	±0.4		
0.00	±0.25		
TITLE		SCALE	DATE
EG 2323		2:1	1/20/09
E-SWITCH		DR	DWG
		BLR	P040261
		REV	B