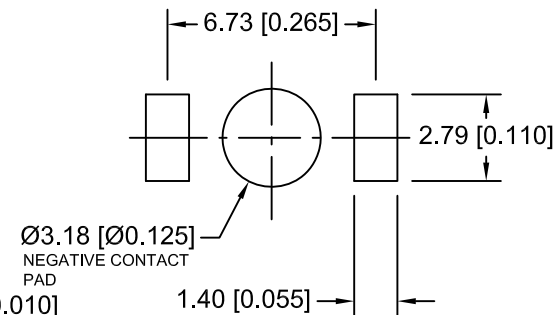
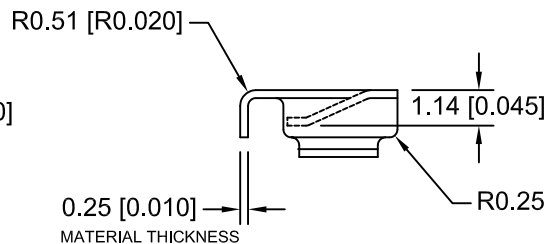
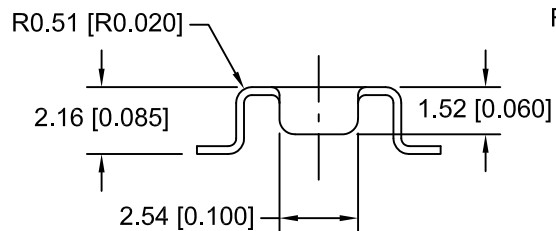
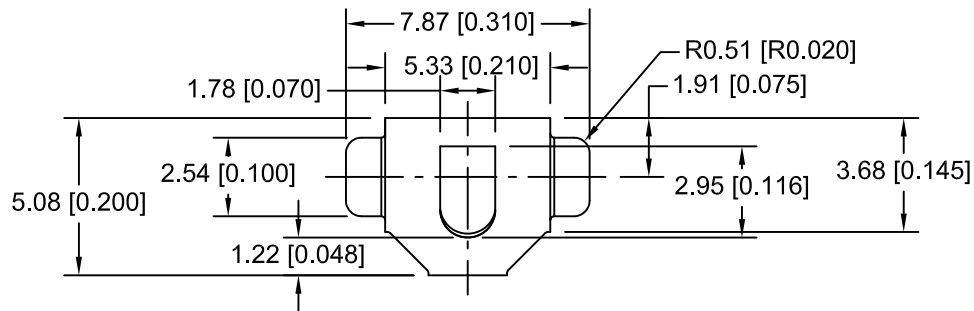


Date	SYM	REVISION RECORD	AUTH	DR.	CK.
5/22/09	A	ADDED TEST RESULTS	T.B.	B.S.	
09/09/11	B	ADDED PCB LAYOUT	T.B.	B.S.	
09/30/11	C	ADDED NEG. CONT. PAD	T.B.	B.S.	




PCB LAYOUT

NOTES:

- MATERIAL:
0.25mm PHOSPHOR BRONZE 1/2H, NICKLE PLATED 40U"-120U"
TEMPERATURE RANGE: -40°C TO +270°C
 - * VIBRATION TEST: 10-50-10 HZ SWEEPED IN 60 SECONDS
X,Y,Z DIRECTION: 1 HOUR EACH DIRECTION
 - * RESULT: NO DISLODGE MENT OF THE CELL OR DAMAGE
NO DISCONTINUITY OVER 10 MICRO-SECONDS
 - * SHOCK TEST: HALF SINE WAVE ACCELERATION 150G. 6 MICRO-SECONDS
3 SHOCK PULSES EACH DIRECTION PER AXIS, TOTAL OF 18 PULSES
 - * RESULT: NO EVIDENCE OF PHYSICAL DAMAGE
 - * DROP TEST: DROPE D FROM 1M HIGH TO CONCRETE FLOOR
 - * RESULT: NO EVIDENCE OF PHYSICAL DAMAGE

ROHS COMPLIANT

Tolerance (Except as noted)	 Memory Protection Devices, Inc 200 Broad Hollow Road, Farmingdale, New York 11735	Scale	Drawn By B.S.
			Approved By T.B.
decimal ±.5 (.020)	Title ML414 BATTERY CONTACT		
Fractional ± .8 (.030)		Date 09/30/11	Drawing Number BK-414
Angular ± 3°			