

THIS DRAWING IS UNPUBLISHED. RELEASED FOR PUBLICATION SEP ,2005.  
 © COPYRIGHT 2005 By - ALL RIGHTS RESERVED.

LOC	DIST	REVISIONS					
E	B	P	LTR	DESCRIPTION	DATE	DWN	APVD
		D		ECO-12-013958	18JAN2013	RZ	MY

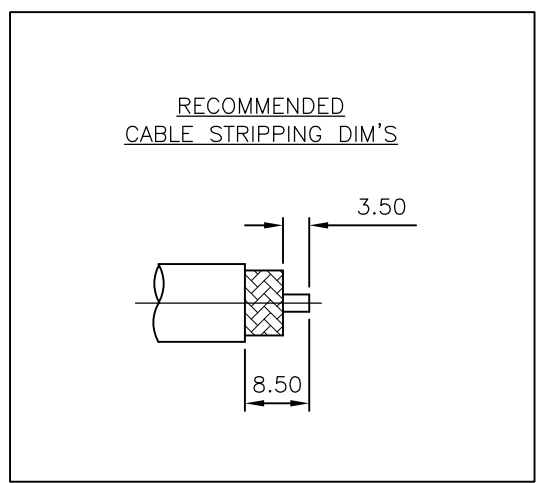
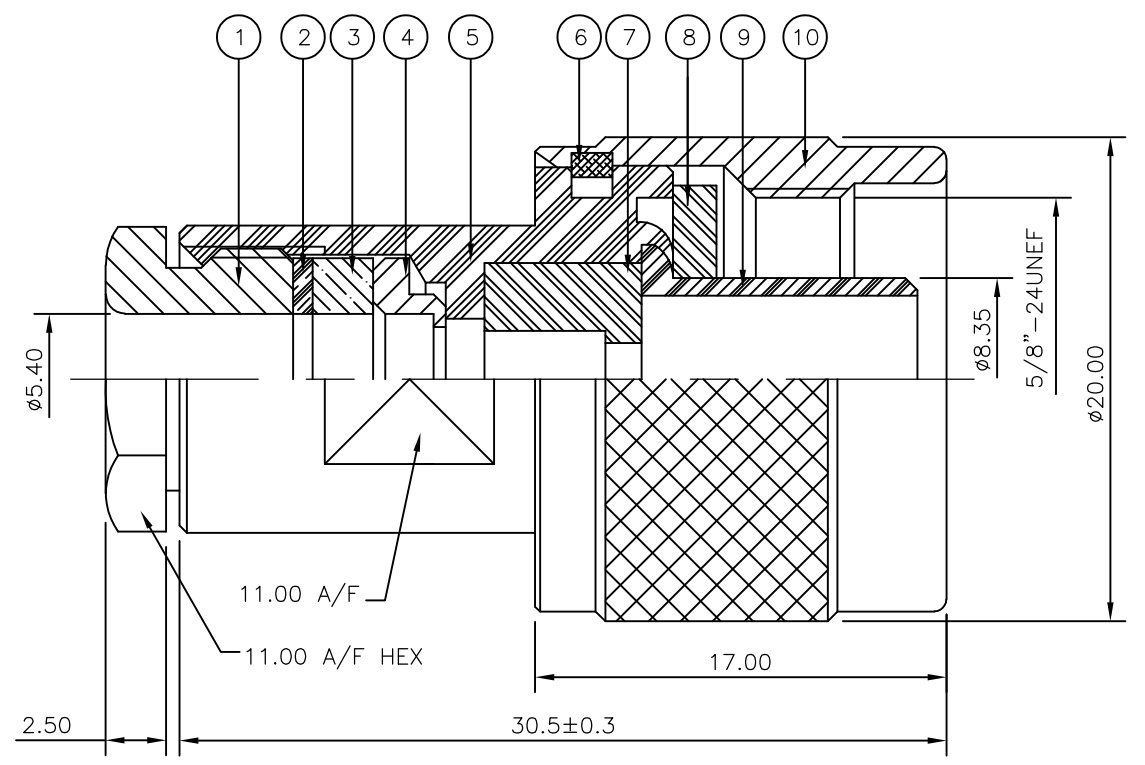
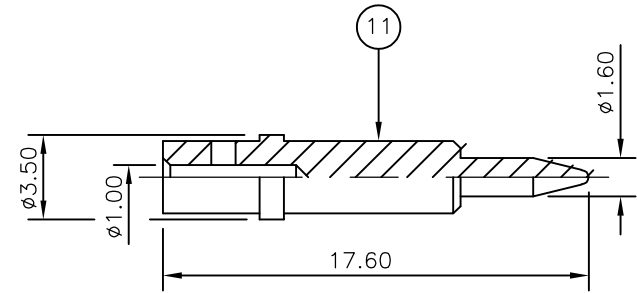
NOTES:

- 1 PACK IN ACCORDANCE WITH AMP SPEC 107-3275
- 2 100 TRAY PACK IN ACCORDANCE WITH AMP SPEC 107-3275
- 3 Ag PLATING
- 4 THIS ITEM MUST BE WHITE
- 5. ELECTRICAL CHARACTERISTICS
 

FREQUENCY RANGE:	DC - 11 GHz
NOMINAL IMPEDANCE:	50 Ohm
INSULATION RESISTANCE:	5000 MOhm Min
WORKING VOLTAGE:	1000 Volts RMS at Sea Level
DIELECTRIC WITHSTAND VOLTAGE:	2500 Volts RMS Max
CONTACT RESISTANCE:	
CENTRE CONTACT:	1.00 mOhm Max
OUTER CONTACT:	1.00 mOhm Max
VSWR :	1.5 Max
INSERTION LOSS dB @ x 4 GHz:	0.5 dB Max
- 6. MECHANICAL CHARACTERISTICS
 

COUPLING NUT RETENTION FORCE:	100 lbs Min
CLAMP NUT RECOMMENDED TORQUE:	16 in-lbs Max
DURABILITY:	500 Cycles Min
- 7. ENVIRONMENTAL CHARACTERISTICS
 

OPERATING TEMPERATURE:	-65 to +165 DegC
------------------------	------------------



QTY	UNIT	MATERIAL	DESCRIPTION	ITEM
1	1	BRASS	CONTACT	11
1	1	BRASS	SHELL	10
1	1	BRASS	OUTER CONTACT	9
1	1	SILICON RUBBER	GASKET	8
1	1	PTFE	INSULATION	7
1	1	BRASS	CIRCLIP	6
1	1	BRASS	BODY	5
1	1	BRASS	SLEEVE	4
1	1	SILICON RUBBER	GASKET	3
1	1	BRASS	WASHER	2
1	1	BRASS	CLAMP NUT	1
6--0	1--0	MATERIAL	DESCRIPTION	ITEM

THIS DRAWING IS A CONTROLLED DOCUMENT.		DWN J.SANDWELL 14SEP05		<b>STE</b> TE Connectivity	
DIMENSIONS: mm		CHK S.PARLOW 14SEP05			
TOLERANCES UNLESS OTHERWISE SPECIFIED:		APVD F.WHEELER-KING 14SEP05		NAME	
0 PLC ± -		PRODUCT SPEC		TYPE-N STRAIGHT PLUG SOLDER 50 OHM	
1 PLC ± -		APPLICATION SPEC		RG58C/U, 141A/U, URM43, 76, Belden 9907, KX15	
2 PLC ± -		411-3252		SIZE	CAGE CODE
3 PLC ± -		WEIGHT -		DRAWING NO	RESTRICTED TO
4 PLC ± -		CUSTOMER DRAWING		A300779	C-1337409
ANGLES ± -		SCALE NTS		SHEET 1 OF 1	REV D
FINISH SEE TABLE					