

DO NOT SCALE ALL DIMENSIONS ARE FOR REFERENCE ONLY

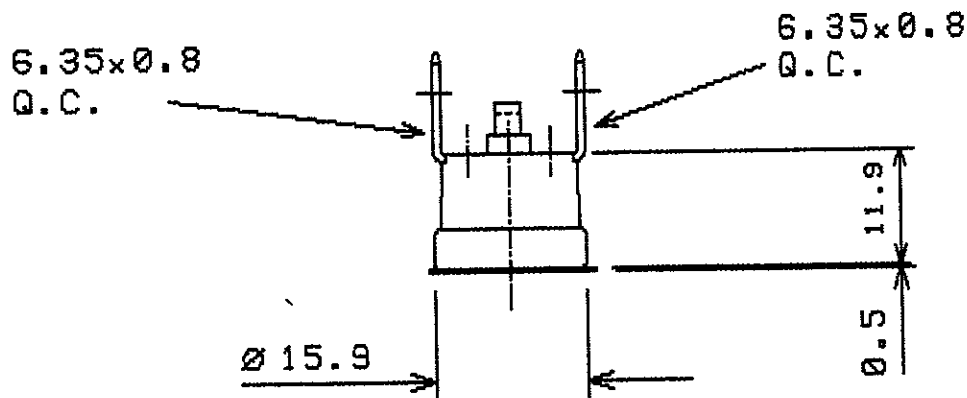
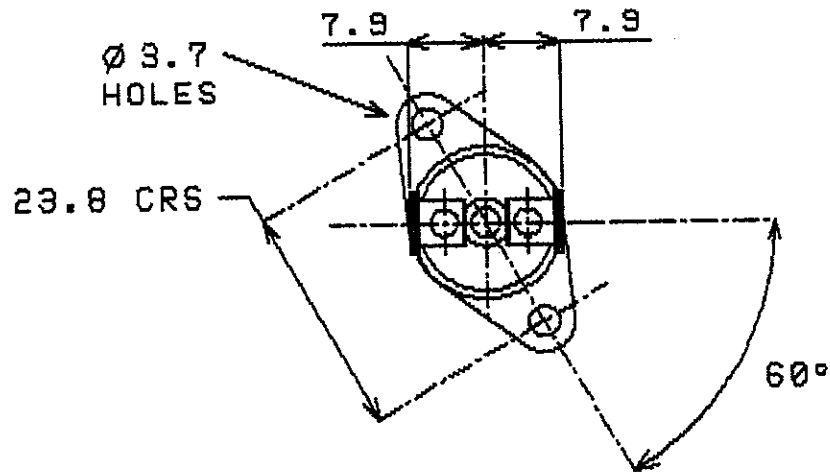
OPERATING CRITERIA

VOLTS: 250 AMPS: 13 HZ:

OPERATING TEMPS. DEG. C

OPEN: 150 ± 5

CLOSE: MR



ISSUE									
MOD No									
MTH/YR									
ELMWOOD DEVICE & UNIQUE PART No.							ELMWOOD DRG No.		ISSUE
2455RM-9082-472							965184		
							DATE OF		TAMP
							30		

CODING REQUIREMENTS

COLOUR: SILVER OR WHITE
L150C 9082 472 XXX

CAP: MAT'L:
BRK'T: B201A13 MAT'L: ST/STEEL
PLATING:
TERMINAL: T147 T147
MATERIAL: BRASS BRASS
PLATING: NICKEL NICKEL