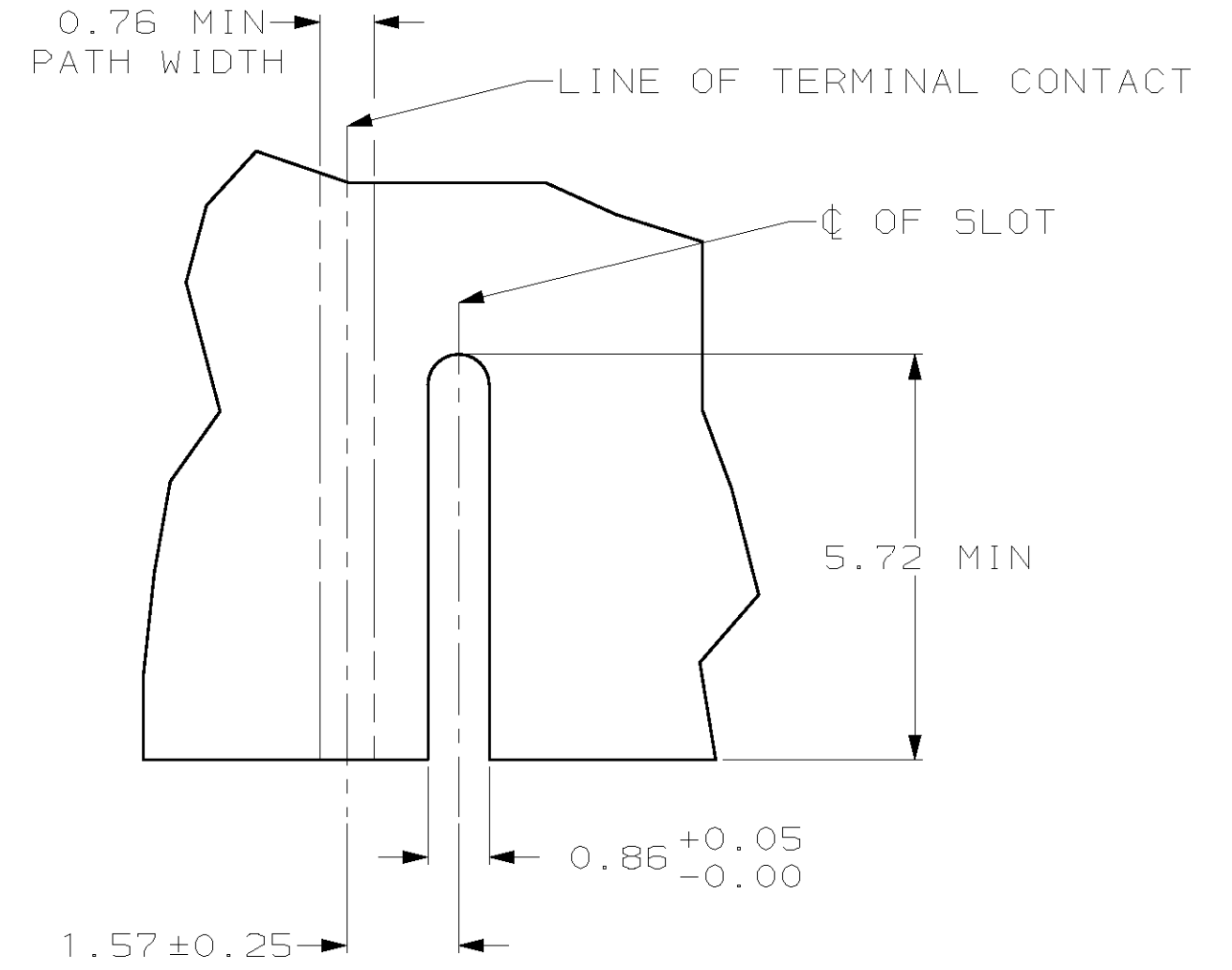
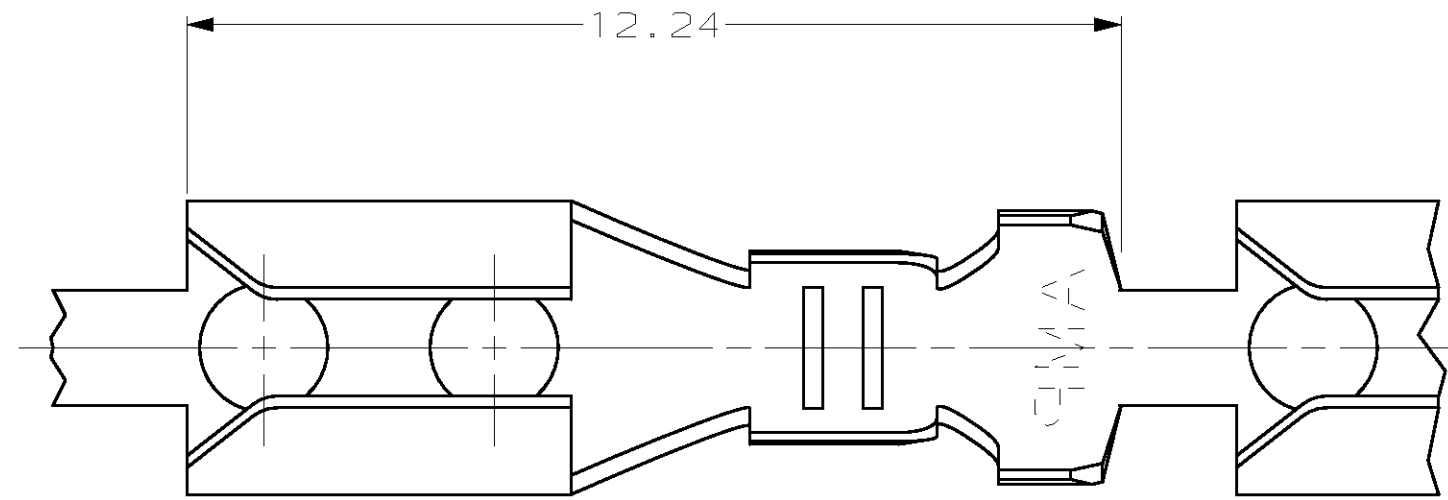


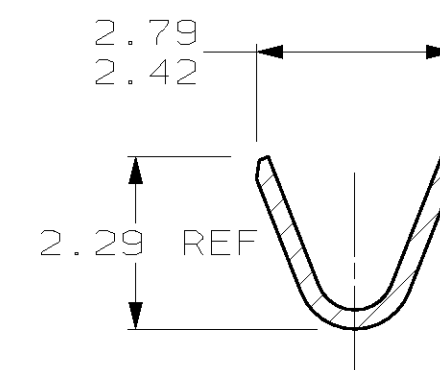
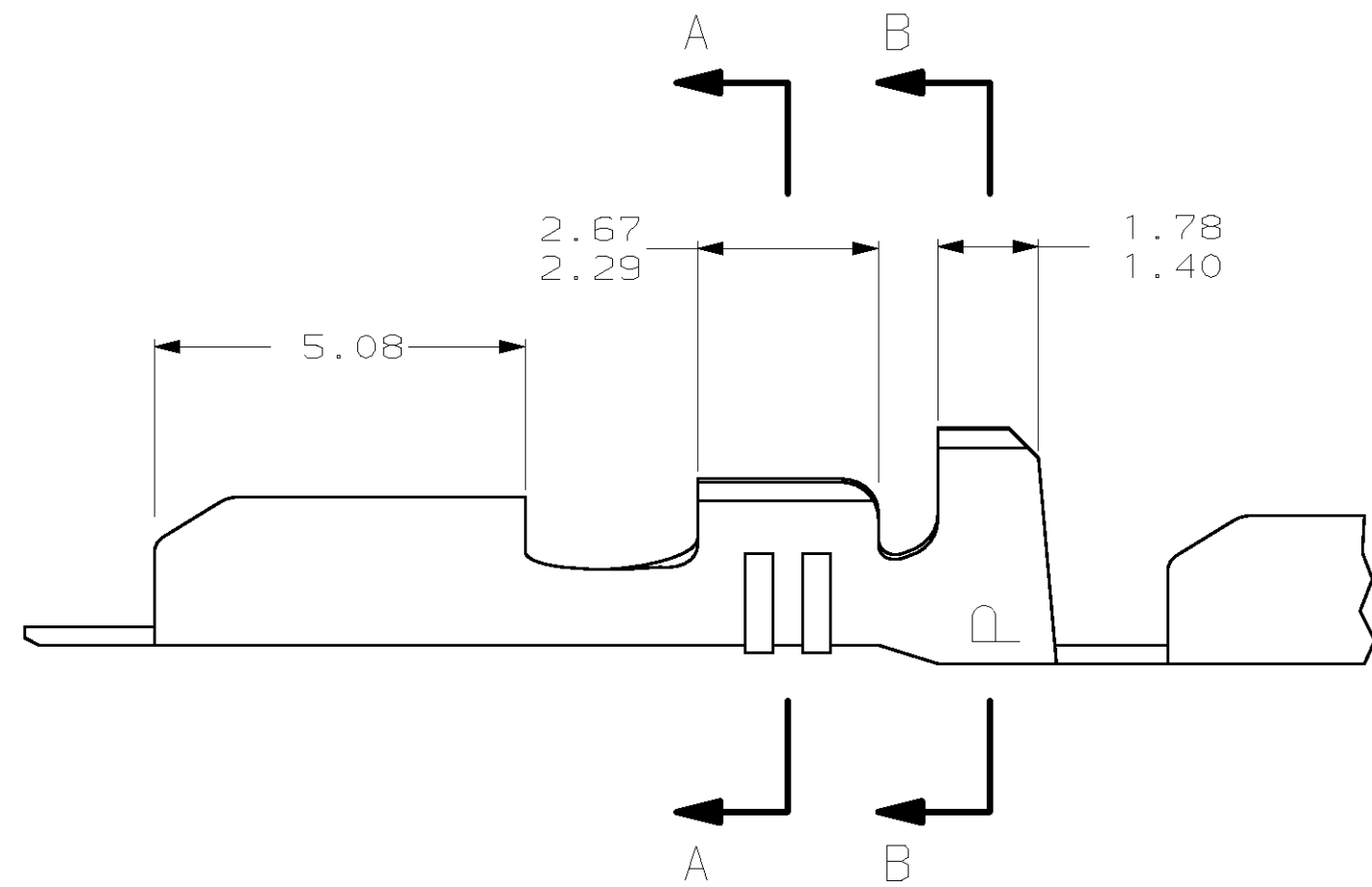
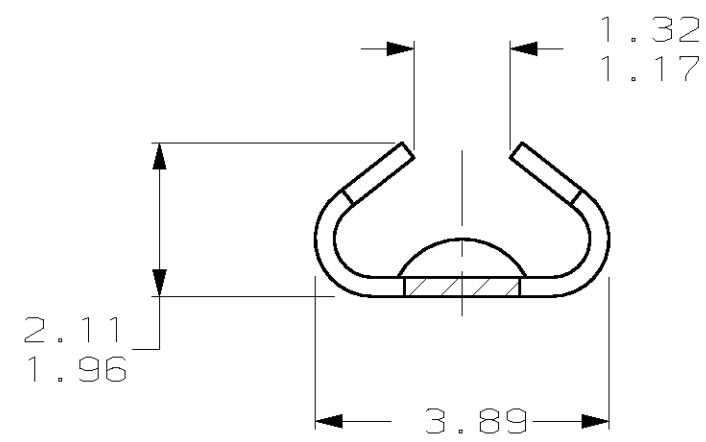
THIS DRAWING IS UNPUBLISHED. RELEASED FOR PUBLICATION  
 (C) COPYRIGHT 19 BY AMP INCORPORATED. ALL RIGHTS RESERVED.

LOC	DIST	REVISIONS			
P	LTR	DESCRIPTION	DATE	DWN	APVD
CM	52	E	REV & REDWN PER EC 0L30-0096-97	3-14-97	TB RS

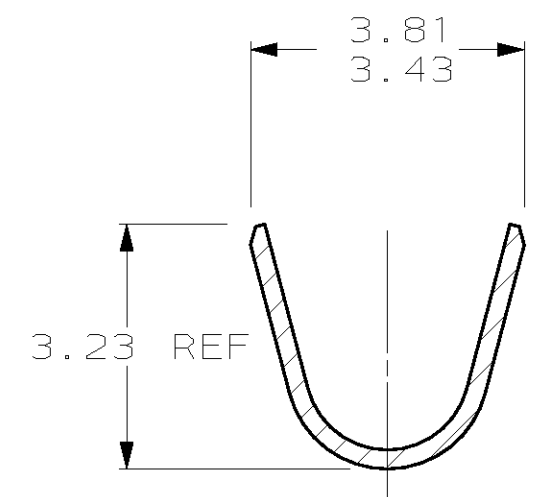
1. WIRE RANGE: 0.3 - 0.9 MM<sup>2</sup> (22 - 18 AWG)
2. INSULATION RANGE: 2.03 - 2.54



RECOMMENDED CUT OUT FOR 1.57 THICK P.C. BOARD



SECTION A-A



SECTION B-B

61561-2  
PART NUMBER

1.17	.046	2.11	.083	3.43	.135	-	-
0.86	.034	2.03	.080	3.23	.127	-	-
0.76	.030	1.96	.077	2.79	.110	12.24	.482
0.25	.010	1.78	.070	2.67	.105	5.72	.225
0.13	.005	1.57	.062	2.54	.100	5.08	.200
0.05	.002	1.40	.055	2.42	.095	3.89	.153
0.00	.000	1.32	.052	2.29	.090	3.81	.150
MM	IN	MM	IN	MM	IN	MM	IN

CONVERSION TABLE

**METRIC**

THIS DRAWING IS A CONTROLLED DOCUMENT.		DWN	T. BECK	3-14-97
DIMENSIONS: mm		CHK	R. SWING	3-14-97
TOLERANCES UNLESS OTHERWISE SPECIFIED:		APVD	A. BEDDICK	3-18-97
0 PLC	±	PRODUCT SPEC	NAME	
1 PLC	±	APPLICATION SPEC	TERMINAL, 22-18 AWG, .080-.100 INSULATION, AMP-EDGE™	
2 PLC	±0.13	WEIGHT	SIZE	CAGE CODE
3 PLC	±	CUSTOMER DRAWING	A2	00779
4 PLC	±	SCALE	10:1	DRAWING NO
ANGLES	±	SHEET	1	OF
MATERIAL	0.25 PH BRZ	FINISH	MATTE TIN	REV
AMP 1471-9 REV 27JUN96		RESTRICTED TO		