

THIS DRAWING IS UNPUBLISHED.

RELEASED FOR PUBLICATION

20

© COPYRIGHT 20

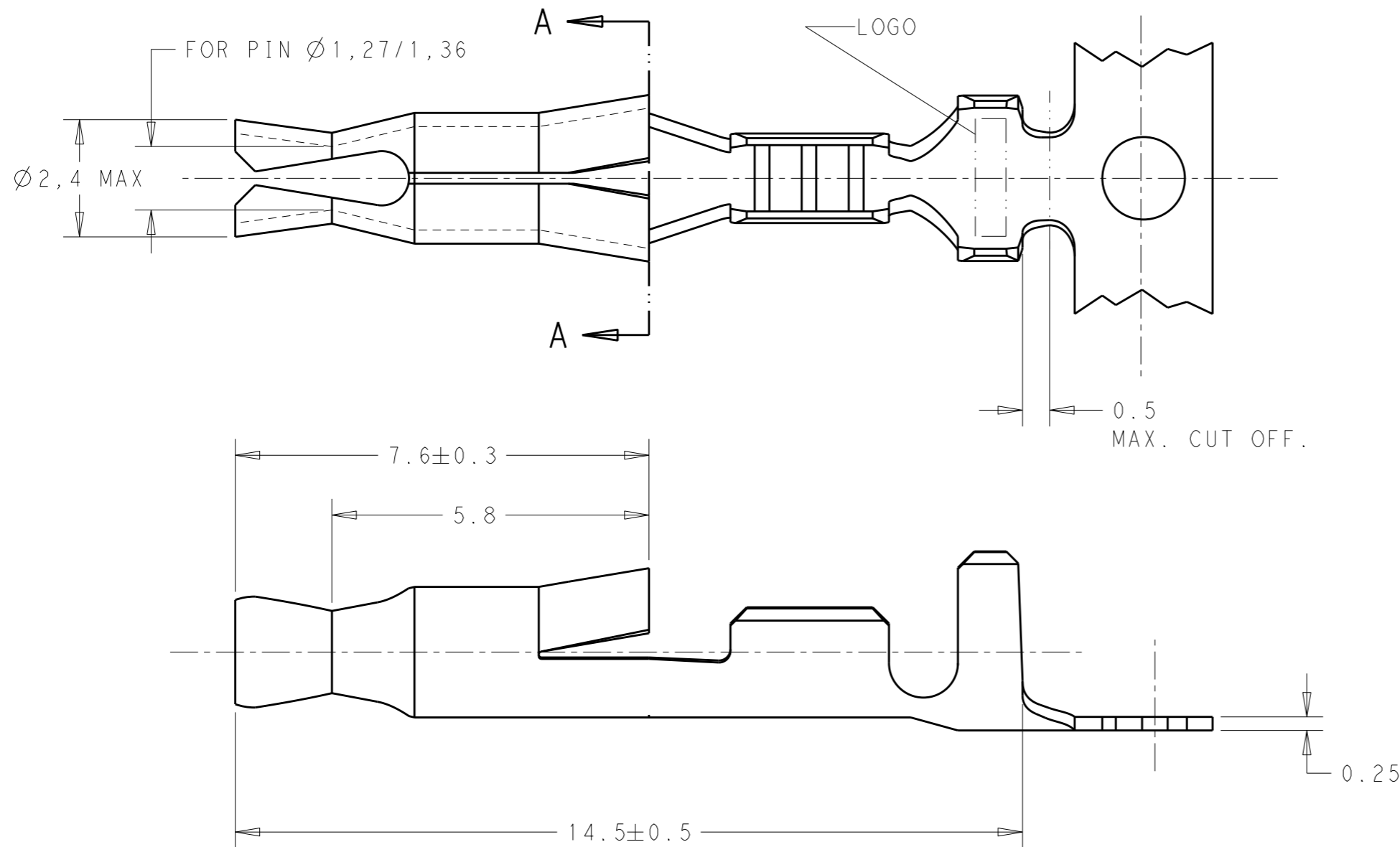
ALL RIGHTS RESERVED.

LOC
AP


DIST
-

REVISIONS

P	LTR	DESCRIPTION	DATE	DWN	APVD
	J	REVISED BY ECO-11-020679	07FEB2012	HC	WLS



PRE-TIN PLATED	BRASS	925574-1
FINISH	MATERIAL	PART NUMBER

THIS DRAWING IS A CONTROLLED DOCUMENT.		DWN H.C. CANTERI 20SEP2011	 TE Connectivity	
DIMENSIONS: mm		CHK W.L. STEFANI 20SEP2011		
TOLERANCES UNLESS OTHERWISE SPECIFIED:		APVD -	NAME RTV SOCKET (FOR 1,3mm. DIA. PIN)	
0 PLC \pm -		PRODUCT SPEC -	-	
1 PLC $\pm 0,3$		APPLICATION SPEC -	-	
2 PLC $\pm 0,3$		WEIGHT -	SIZE A3	CAGE CODE 00779
3 PLC \pm -		CUSTOMER DRAWING	DRAWING NO C-925574	RESTRICTED TO -
4 PLC \pm -			SCALE 10/1	SHEET 1
ANGLES $\pm 1^\circ$				REV J
FINISH SEE TABLE				