

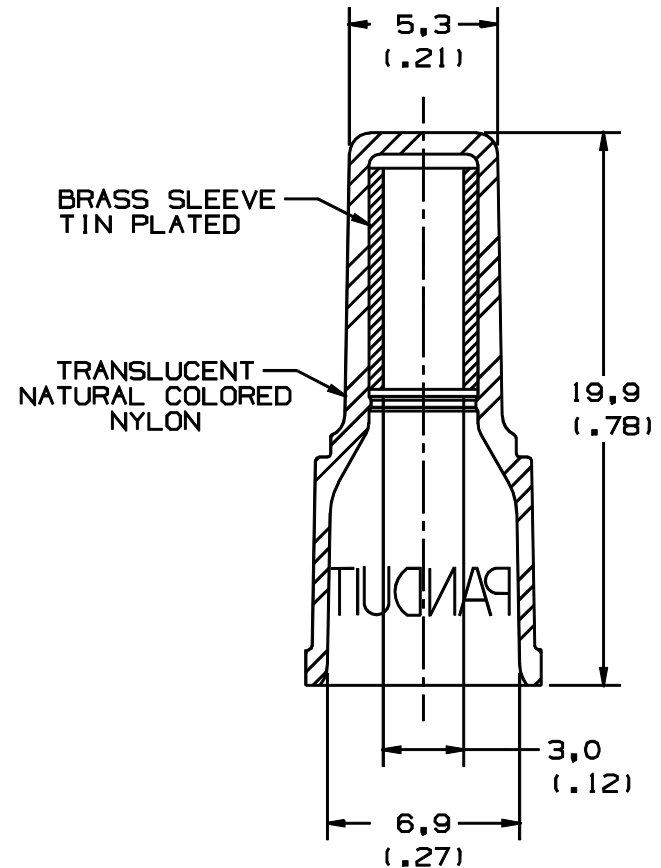
THIS COPY IS PROVIDED ON A RESTRICTED BASIS AND IS NOT TO BE USED IN ANY WAY DETRIMENTAL TO THE INTERESTS OF PANDUIT CORP.

WIRE COMBINATION CHART FOR JMN2
WIRE JOINT

WIRE SIZE mm ²	NO. OF WIRES	NUMBER OF ADDITIONAL WIRES OF ONE SIZE				
		0,5mm ²	0,75mm ²	1,0mm ²	1,5mm ²	2,5mm ²
0,5	1	1-4	1-2	1-2	1	1
	2	1-3	1-2	1	1	0
	3	1-2	1	1	0	0
	4	1	0	0	0	0
	5	0	0	0	0	0
0,75	1	1-3	1-2	1	1	0
	2	1-2	1	1	0	0
	3	0	0	0	0	0
1,0	1	1-2	1-2	1	1	0
	2	1	0	0	0	0
1,5	1	1-2	1	1	0	0
2,5	1	1	0	0	0	0

NOTES:

- USED FOR:
 - 600V. MAX. VOLTAGE RATING
 - 105°C (221°F) MAX. TEMP. RATING
 - STRANDED COPPER WIRE ONLY
- PACKAGE QTY:
 - STD: -C = 100
 - BULK: -M = 1000
- DIMENSIONS ARE IN mm AND BRACKETED DIMENSIONS ARE IN INCHES
- INSTALLATION TOOLS: REF DWGS A41522, A41523, A41524, A41525
- WIRE STRIP LENGTH $11,0^{+0,8}_{-0}$ ($7/16^{+1/32}_{-0}$)
- TWIST ENDS OF STRIPPED WIRE TOGETHER BEFORE INSERTING INTO WIRE JOINT



A41541_02

02	1/01	RM		FILESPEC WAS NPC_A41541_01				<p>TINLEY PARK, ILLINOIS</p> <p>METRIC NYLON INSULATED WIRE JOINT JMN2</p>
01	10/97	JAMB		CHANGED PERIODS TO COMMAS ON ALL METRIC DIMENSIONS.	06426			
00	3/92	BK	RLS	RELEASED		KS	LA	
REV	DATE	BY	CHK	DESCRIPTION	ECN #	PM	CUST	DRAWN BY BDK Ck'D LA SCALE NONE DRAWING NO. A41541