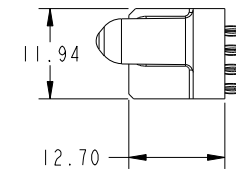
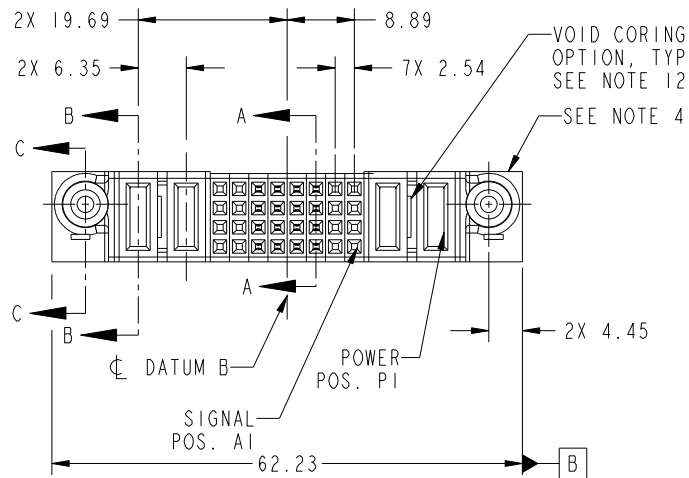


PRODUCT NO. 51750-114-- NOTE: 3	ROWS D C B A	POWER			SIGNAL							POWER			
		E2	P4	P3	8	7	6	5	4	3	2	1	P2	P1	E1
			PC	PC	X	X	F	F	F	F	X	X	PC	PC	
					X	X	F	F	F	F	X	X			
					X	X	F	F	F	F	X	X			
					X	X	F	F	F	F	X	X			

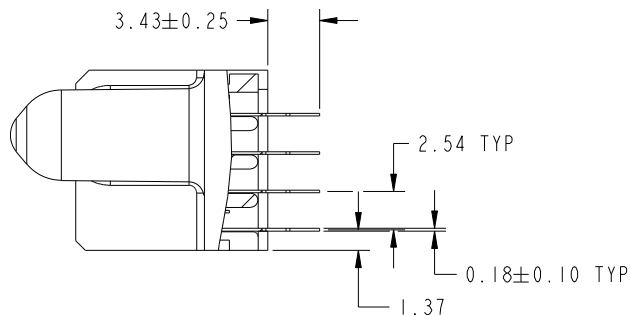


CODE	DIM "M" MATING LENGTH	CONTACT TYPE
PC	[1.07]	POWER
F	[N/A]	SIGNAL

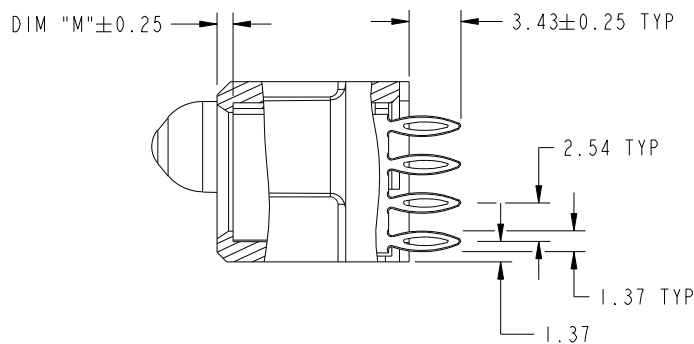
spec ref	SEE NOTES			dr	GUANG SHI	2011/05/24	projection 	MM 	size	A4	scale	1:1	
tolerance std	TOLERANCES UNLESS OTHERWISE SPECIFIED			eng	ANSON LIU	2011/05/24			ecn no	*			
SEE NOTES				chr	PM ZHENG	2011/05/24			rel level	Released			
surface	linear	0.X	±0.50		2P + 32S + 2P			dwg no	51750-114		rev	A	
		0.XX	±0.25		VERTICAL STB RECEPT								
	angular	0°	±2°		www.fci.com	cat. no.	Product - Customer Drw			sheet 1 of 4			

PRODUCT NUMBER

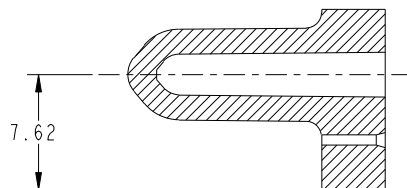
51750-114_
NOTE: 3



SECTION A-A
SCALE 2:1



SECTION B-B
SCALE 2:1



SECTION C-C
SCALE 2:1

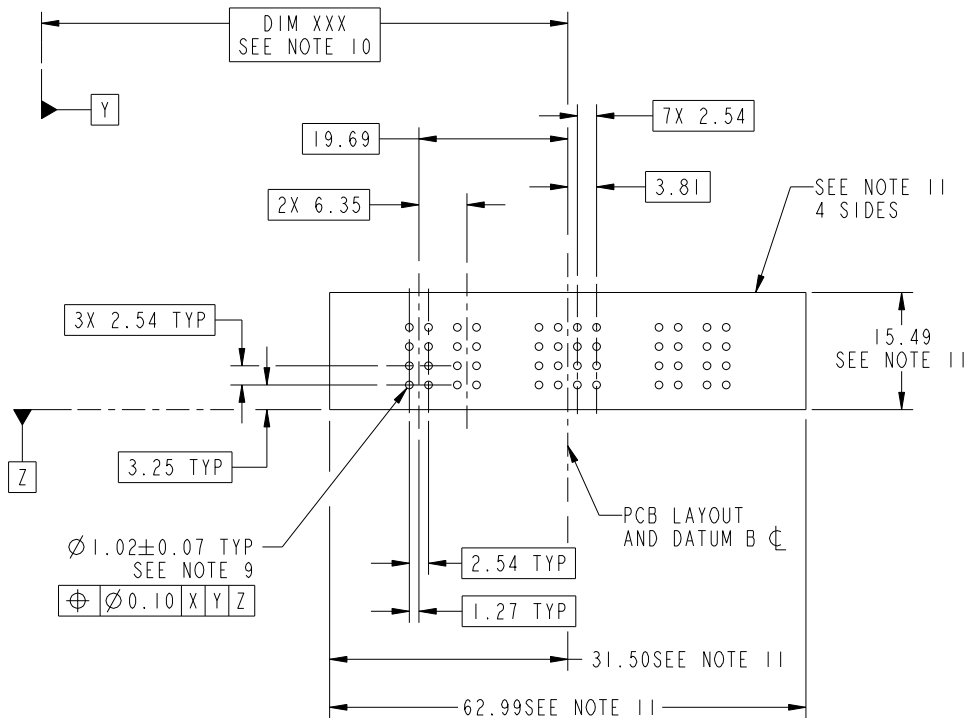


Copyright FCI.

spec ref		SEE NOTES		dr	GUANG SHI	2011/05/24	projection 	MM 	size	A4	scale	1:1		
tolerance std		TOLERANCES UNLESS OTHERWISE SPECIFIED		eng	ANSON LIU	2011/05/24			ecn no	*				
SEE NOTES				chr	PM ZHENG	2011/05/24								
surface		linear	0.X ±0.50	appr	JOSEPH HSIA	2011/05/24	product family		PwrBlade	rel level	Released			
			0.XX ±0.25			part no		2P + 32S + 2P		dwg no		51750-114	rev	A
			0.XXX ±0.10			cat. no.		Product - Customer Drw		sheet 2 of 4				
		angular	0° ±2°	www.fci.com										

PRODUCT NUMBER

51750-114_
NOTE: 3



RECOMMENDED PCB LAYOUT

spec ref	SEE NOTES			dr	GUANG SHI	2011/05/24	projection 	MM ←→	size	A4	scale	1:1
tolerance std SEE NOTES	TOLERANCES UNLESS OTHERWISE SPECIFIED			eng	ANSON LIU	2011/05/24			ecn no	*		
				chr	PM ZHENG	2011/05/24						
surface	linear	0.X	±0.50	appr	JOSEPH HSIA	2011/05/24	product family	PwrBlade	rel level	Released		
		0.XX	±0.25				title	2P + 32S + 2P	dwg no	51750-114	rev	A
		0.XXX	±0.10									
	angular	0°	±2°									

PRODUCT NUMBER

51750-114__
NOTE: 3

NOTES:

1. DIMENSIONS AND TOLERANCES ARE IN ACCORDANCE WITH ASME Y14.5M, 1994 UNLESS OTHERWISE SPECIFIED.

CONNECTOR NOTES:

- ② HOUSING MATERIAL: UL 94 V-0 GLASS FILLED HIGH-TEMP THERMOPLASTIC
POWER CONTACT MATERIAL: COPPER ALLOY
SIGNAL PIN MATERIAL: COPPER ALLOY
- 3. SEE ITEM 7 & 8 IN PRINT 10064183 FOR PLATING SPEC OF 51750-114 AND 51750-114LF RESPECTIVELY.
- ④ MANUFACTURER'S NAME, DATE CODE AND OPTIONAL P/N TO APPEAR ON THIS SURFACE. THE P/N CAN BE OMITTED IF THERE IS NOT ENOUGH SPACE ON THIS SURFACE.
- 5. PRODUCT SPECIFICATION GS-12-149.
APPLICATION SPECIFICATION BUS-20-067.
- 6. PACKAGED IN TRAYS.

PCB NOTES:

- 7. ALL HOLE DIAMETERS ARE FINISHED HOLE SIZE.
- ⑧ MOUNTING HOLES, WHERE APPLICABLE, ARE UNPLATED.
- ⑨ $\varnothing 1.151 \pm 0.025$ DRILLED HOLES PLATED WITH
0.008 MIN SnPb OR Sn OVER 0.03
TO 0.08 Cu PLATING TO ACHIEVE
 $\varnothing 1.02 \pm 0.07$ HOLE.
- ⑩ "DIM XXX" TO BE DETERMINED BY THE CUSTOMER.
- ⑪ CONNECTOR KEEP-OUT ZONE.
- 12. THE VOID CORING IN BETWEEN POWER MODULES, SIGNAL MODULES AND END MODULES ARE OPTIONAL AND THE SHAPE MAY BE DIFFERENT FOR OPTIMIZE THE MOLDING PROCESS. THE VOID CORING WILL NOT EFFECT TO PRODUCT FUNCTION.



Copyright FCI.

spec ref		SEE NOTES		dr	GUANG SHI	2011/05/24	projection 	MM 	size	A4	scale	1:1
tolerance std		TOLERANCES UNLESS OTHERWISE SPECIFIED		eng	ANSON LIU	2011/05/24			ecn no		*	
SEE NOTES				chr	PM ZHENG	2011/05/24			rel level		Released	
surface <input checked="" type="checkbox"/>		linear	0.X ±0.50	FCI 	part no			PwrBlade	dwg no	51750-114	rev	A
			0.XX ±0.25		2P + 32S + 2P							
			0.XXX ±0.10		VERTICAL STB RECEPT							
		angular	0° ±2°	www.fci.com	cat. no.	Product - Customer Drw			sheet 4 of 4			