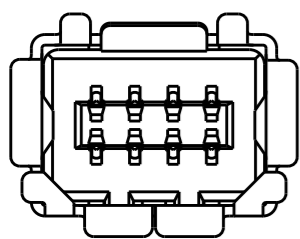
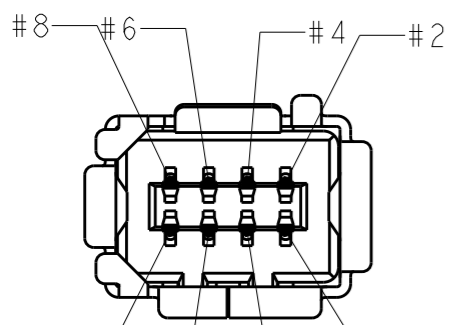
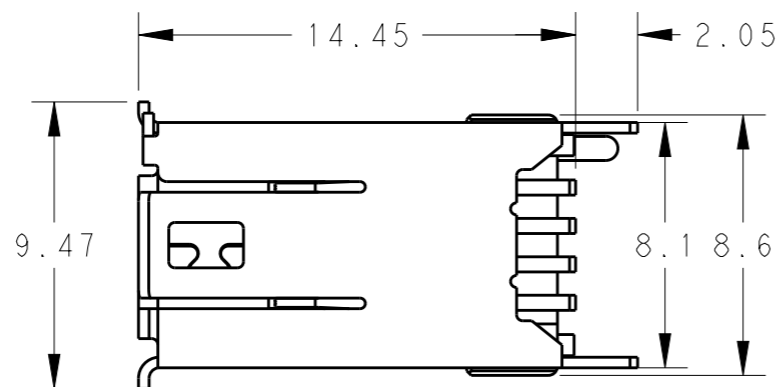


THIS DRAWING IS UNPUBLISHED. RELEASED FOR PUBLICATION. ALL RIGHTS RESERVED.

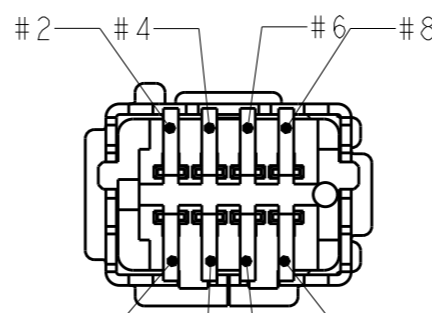
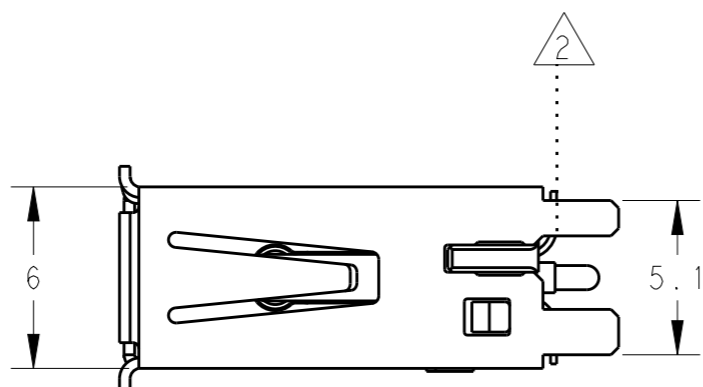
LOC	DIST	REVISIONS			
P	LTR	DESCRIPTION	DATE	DWN	APVD
-	-	A	NEW RELEASE	14DEC2015	L.Z. X.X.
-	-	B	ECR-16-006831 PACKAGE TRAY CHANGE	04MAY2016	L.Z. X.X.



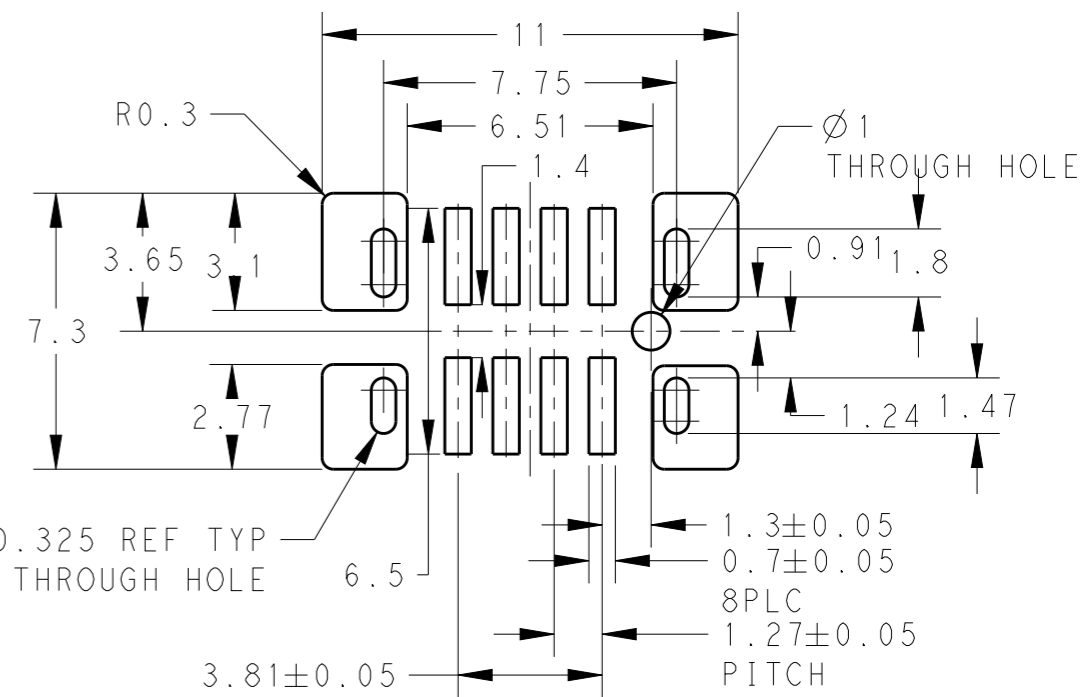
2271656-2  
TYPE II



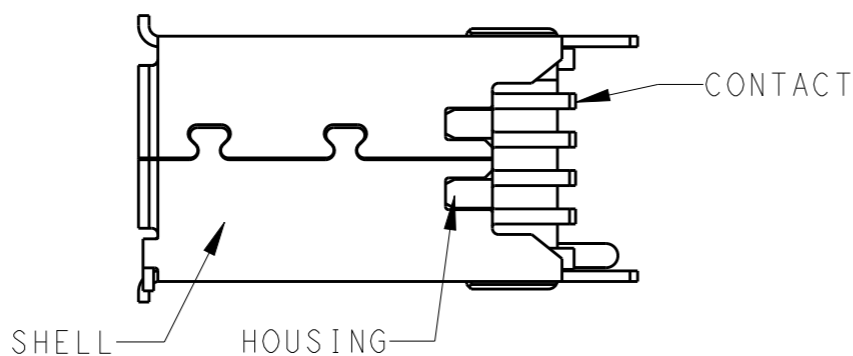
2271656-1  
TYPE I



CIRCUIT NO



RECOMMENDED BOARD DIMENSION  
t=1.6  
SCALE 5:1  
GENERAL TOL.: ±0.1



NOTES:  
 1 MATERIAL AND FINISH  
 CONTACT: COPPER ALLOY  
 UNDER ALL SURFACE NICKEL 1.27µm MIN.  
 TOP CONTACT AREA: GOLD 0.5µm MIN  
 SOLDERING AREA: TIN PLATE  
 HOUSING: THERMO PLASTIC(UL94V-0)  
 SHELL: COPPER ALLOY  
 UNDER ALL SURFACE NICKEL  
 TOP ALL SURFACE TIN  
 2 COPLANARITY 0.1 MAX  
 (IN 8 TIPS OF CONTACTS )  
 3 GENERAL TOL.: ±0.3; ±5°

8	TYPE II SMT RECEPTACLE WITH CAP	1-2271656-2
8	TYPE I SMT RECEPTACLE WITH CAP	1-2271656-1
8	TYPE II SMT RECEPTACLE	2271656-2
8	TYPE I SMT RECEPTACLE	2271656-1
POS	DESCRIPTION	PART NO

THIS DRAWING IS A CONTROLLED DOCUMENT.		DWN 01DEC2015 LEAR ZHANG	<b>STE</b> TE Connectivity		
DIMENSIONS: mm		CHK 01DEC2015 KOBBY ZHAO			
TOLERANCES UNLESS OTHERWISE SPECIFIED:		APVD 01DEC2015 XU XIANG	NAME SMT VERTICAL MINI I/O RECEPTACLE 1.27mm PITCH		
0 PLC ± 1 PLC ± 2 PLC ± 3 PLC ± 4 PLC ± ANGLES ±		PRODUCT SPEC 108-106087	SIZE A3	CAGE CODE -	DRAWING NO C-2271656
MATERIAL -		APPLICATION SPEC -	RESTRICTED TO -	SCALE 4:1	
FINISH -		WEIGHT -	SHEET 1 OF 3		REV B
Customer Drawing			Customer Drawing		

4

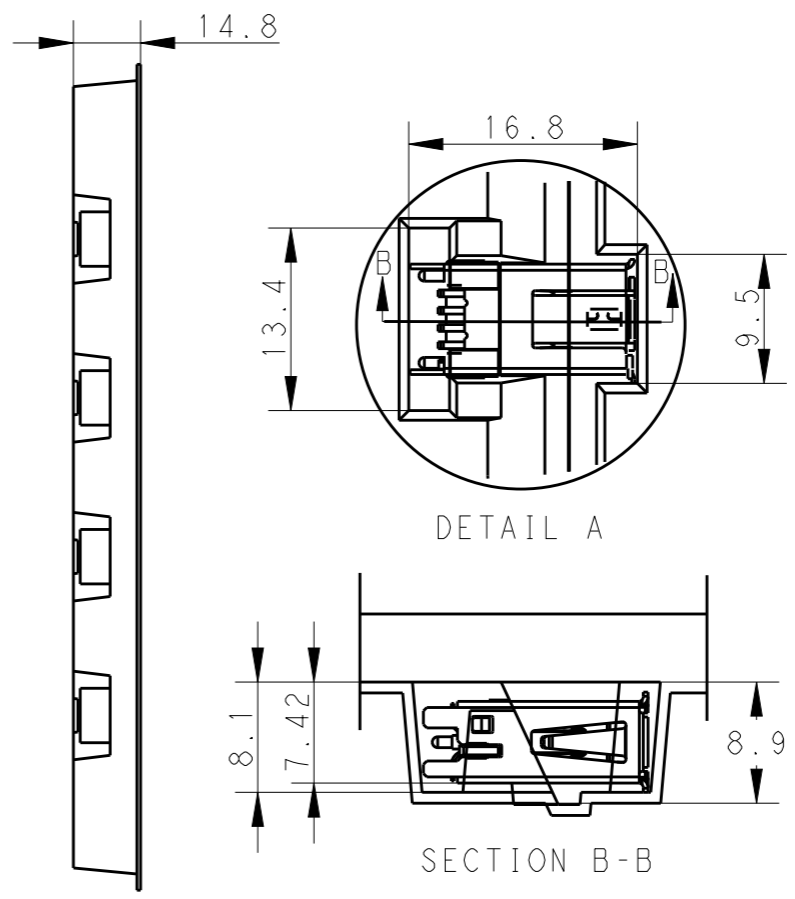
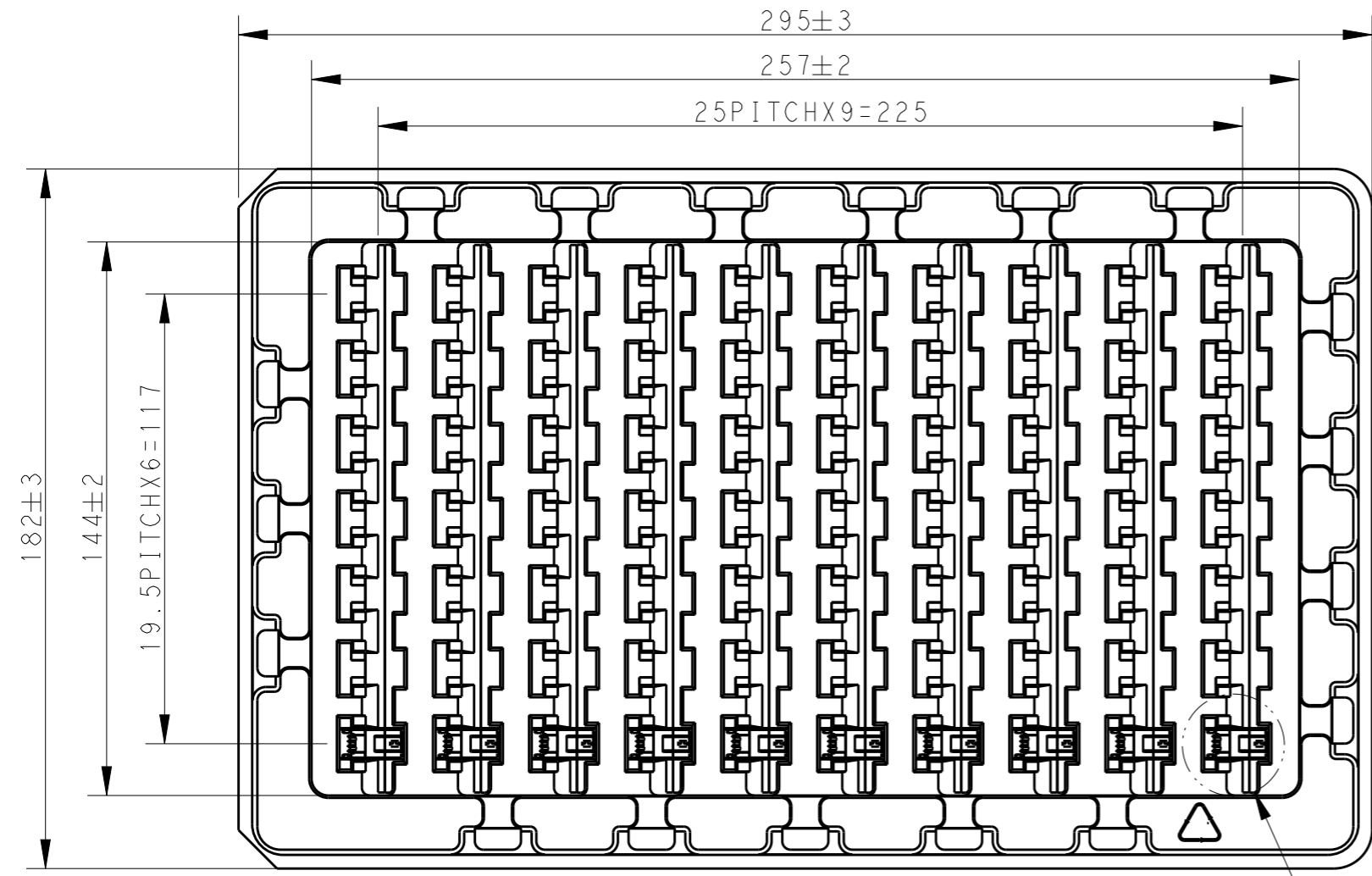
3

2

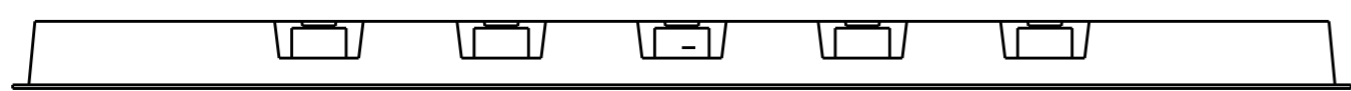
1

THIS DRAWING IS UNPUBLISHED. RELEASED FOR PUBLICATION  
 © COPYRIGHT - BY - ALL RIGHTS RESERVED.

LOC	DIST	REVISIONS			
P	LTR	DESCRIPTION	DATE	DWN	APVD
-	-	SEE SHEET 1	-	-	-



SEE DETAIL A



NOTE:  
 4 PACKAGE:  
 70PCS PER TRAY FOR 2271656-1 & 2271656-2

PACKAGE AS SHOWN	2271656-2 2271656-1
DESCRIPTION	PART NO

THIS DRAWING IS A CONTROLLED DOCUMENT.		DWN	SEE SHEET 1	TE Connectivity NAME SMT VERTICAL MINI I/O RECEPTACLE 1.27mm PITCH			
DIMENSIONS:		CHK	SEE SHEET 1				
mm	TOLERANCES UNLESS OTHERWISE SPECIFIED:	APVD	SEE SHEET 1				
	0 PLC ±- 1 PLC ±- 2 PLC ±- 3 PLC ±- 4 PLC ±- ANGLES ±-	PRODUCT SPEC	SEE SHEET 1				
MATERIAL	FINISH	APPLICATION SPEC	-	SIZE	CAGE CODE	DRAWING NO	RESTRICTED TO
-	-	WEIGHT	-	A3	-	©-2271656	-
Customer Drawing				SCALE	4:1	SHEET	2 OF 3
				REV	B		

4

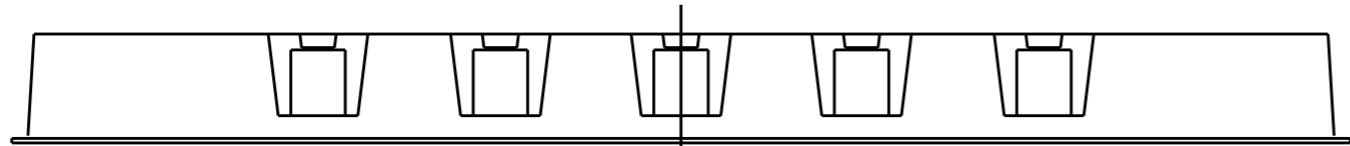
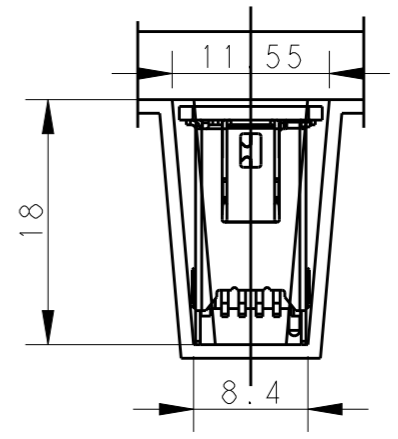
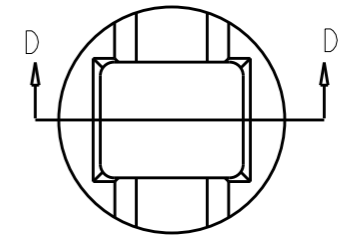
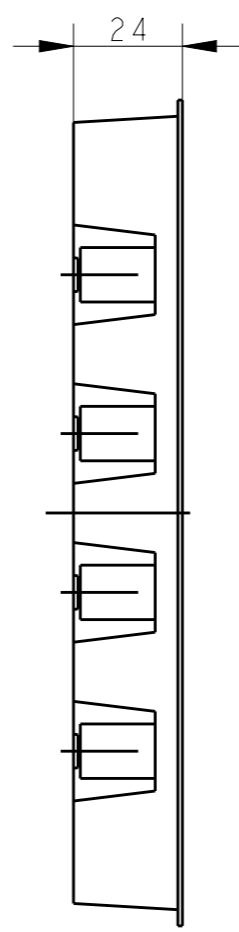
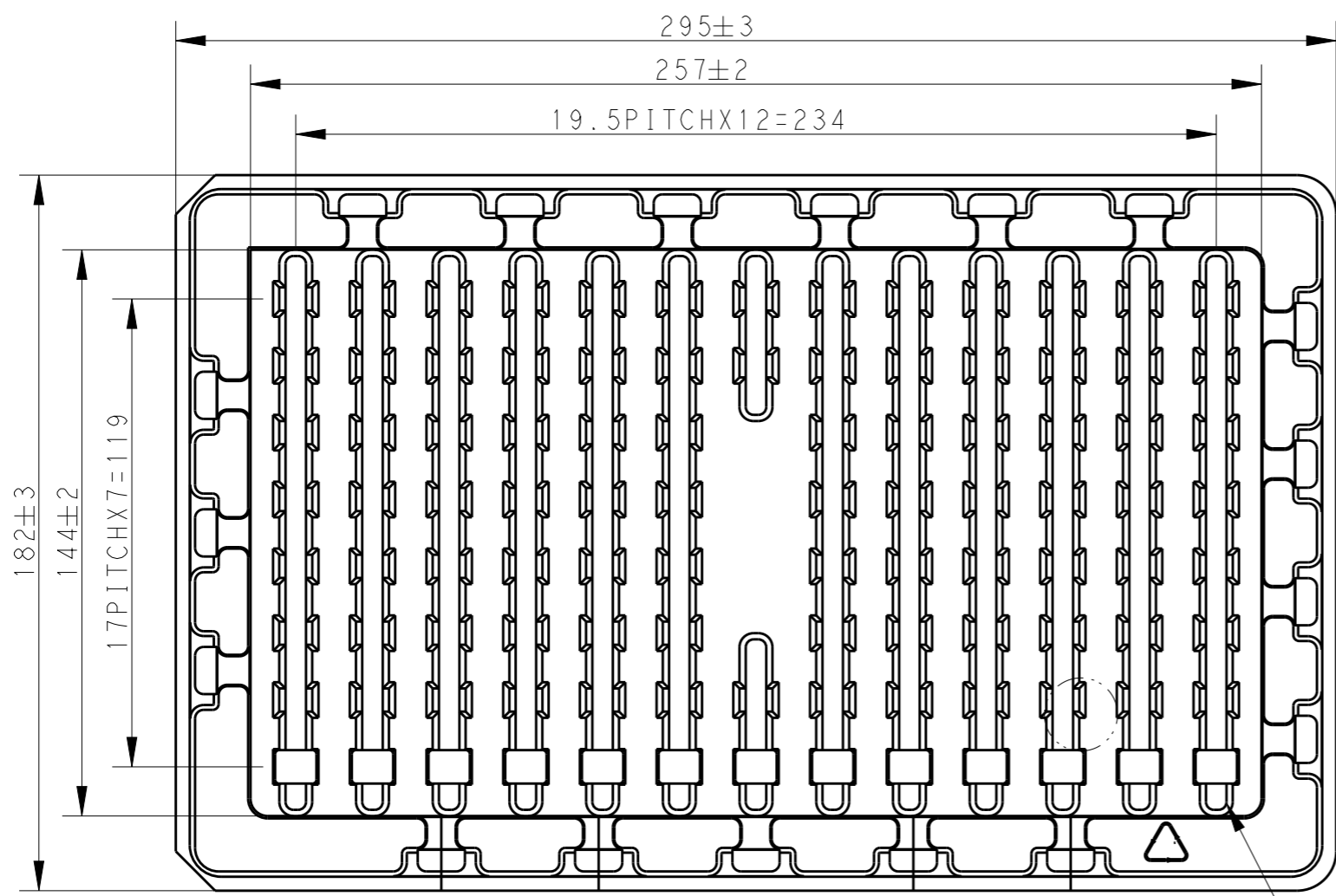
3

2

1

THIS DRAWING IS UNPUBLISHED. RELEASED FOR PUBLICATION  
 © COPYRIGHT - BY - ALL RIGHTS RESERVED.

LOC		DIST		REVISIONS			
P	LTR	DESCRIPTION	DATE	DWN	APVD		
-	-	SEE SHEET 1	-	-	-		



SEE DETAIL C

SECTION D-D

NOTE:  
 5 PACKAGE:  
 100PCS PER TRAY FOR 1-2271656-1 & 1-2271656-2

THIS DRAWING IS A CONTROLLED DOCUMENT.

DIMENSIONS:		TOLERANCES UNLESS OTHERWISE SPECIFIED:	
mm		0 PLC	± -
		1 PLC	± -
		2 PLC	± -
		3 PLC	± -
		4 PLC	± -
		ANGLES	± -
MATERIAL	-	FINISH	-

DWN	SEE SHEET 1
CHK	SEE SHEET 1
APVD	SEE SHEET 1
PRODUCT SPEC	SEE SHEET 1
APPLICATION SPEC	-
WEIGHT	-
Customer Drawing	

PACKAGE AS SHOWN	1-2271656-2 1-2271656-1
DESCRIPTION	PART NO



NAME SMT VERTICAL MINI I/O RECEPTACLE 1.27mm PITCH			
SIZE	CAGE CODE	DRAWING NO	RESTRICTED TO
A3	-	©-2271656	-
SCALE 4:1		SHEET 3 OF 3	REV B