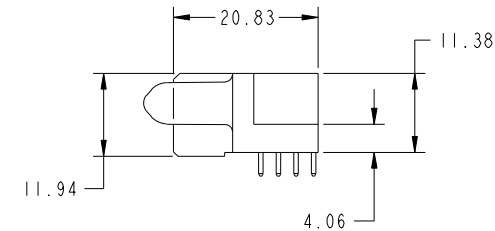
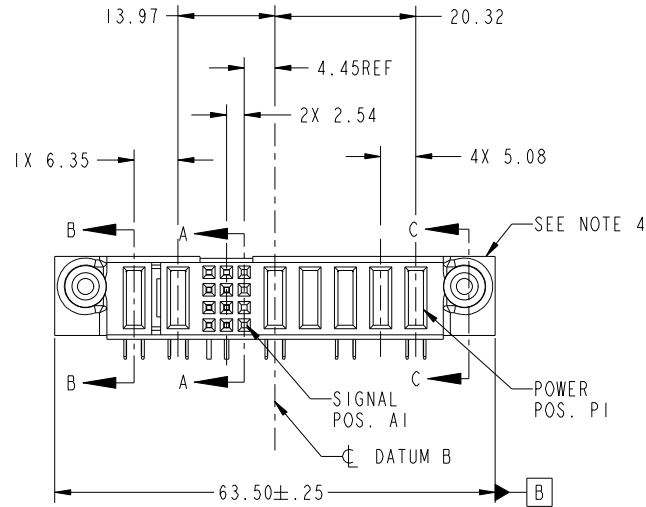


Tous droits strictement réservés. Reproduction ou communication a des tiers interdite sous quelque forme que ce soit sans autorisation écrite du propriétaire. Propriété de c FCI. Droits de reproduction FCI.

All rights strictly reserved. Reproduction or issue to third parties in any form whatever is not permitted without written authority from the proprietor. Property of FCI. Copyright FCI.



PRODUCT NO.	ROWS	POWER		SIG		POWER						
		E2	P7	P6	3	2	1	P5	P4	P3	P2	P1
51915-036-- NOTE: 3	D C B A		PA	PA	H G F E	X X X X	PA	X	PC	X	PC	



CODE	DIM "M" MATING LENGTH	CONTACT TYPE
E	[N/A]	SIGNAL
F	[N/A]	SIGNAL
G	[N/A]	SIGNAL
H	[N/A]	SIGNAL
PA	[1.07]	POWER
PC	[2.34]	POWER
X	OMITTED	OMITTED

mat'l code				SEE NOTE 4		tolerances unless otherwise specified		CUSTOMER		FCI	
ltr	ecr no.	dr	date	linear	0.X ± 0.5	projection		COPY		www.fciconnect.com	
A	V03-1113	TAB	10/14/03	angles	0.XX ± 0.25	MIM		title		5P + 12S + 2P R/A SOLDER RECEPTACLE	
B	V03-1148	TAB	10/21/03		0.XXX ± 0.10	scale		product family		PwrBlade code	
C	DG08-0272	JW	09/30/08		0° + 2°	1:1		size		213	
				dr	T. BRUNGARD 10/14/03			dwg no		1 of 4	
				enr	M. GRAY 10/14/03			A		51915-036	
				chr	M. GRAY 10/14/03						
				appd	M. GRAY 10/14/03						
sheet index	revision sheet	C	C	C	C						
		1	2	3	4						
								cage code		22526	

Pro/E

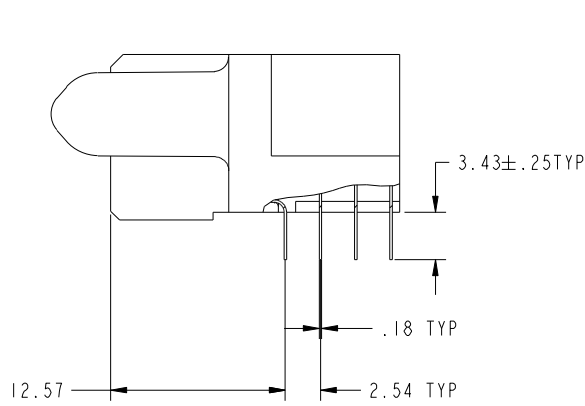
cage code 22526

Tous droits strictement reserves. Reproduction ou communication a des tiers interdite sous quelque forme que ce soit sans autorisation ecrite du proprietaire. Propriete de c FCI. Droits de reproduction FCI.

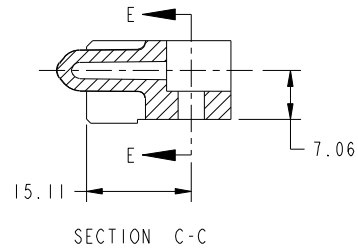


All rights strictly reserved. Reproduction or issue to third parties in any form whatever is not permitted without written authority from the proprietor. Property of FCI. Copyright FCI.

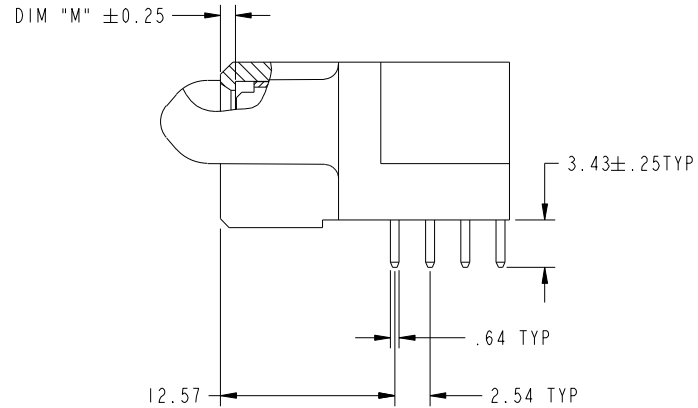
PRODUCT NUMBER
51915-036--
NOTE: 3



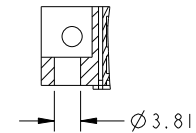
BROKEN-OUT SECTION A-A
SCALE 2:1



SECTION C-C



BROKEN-OUT SECTION B-B
SCALE 2:1



PARTIAL SECTION E-E

mat'l code		SEE NOTE 2		tolerances unless otherwise specified		CUSTOMER		www.fciconnect.com					
ltr	ecn no.	dr	date	linear	0.X ± 0.5	COPY			title 5P + 12S + 2P R/A SOLDER RECEPTACLE				
C					0.XX ± 0.25					product family	PwrBlade	code	213
					0.XXX ± 0.10					size	dwg no	sheet	2
				angles	0° + 2°	scale 1:1		A	51915-036				
				dr	T. BRUNGARD	10/14/03							
				enr	M. GRAY	10/14/03							
				chr	M. GRAY	10/14/03							
				appd	M. GRAY	10/14/03							
sheet index	revision sheet												

cage code 22526

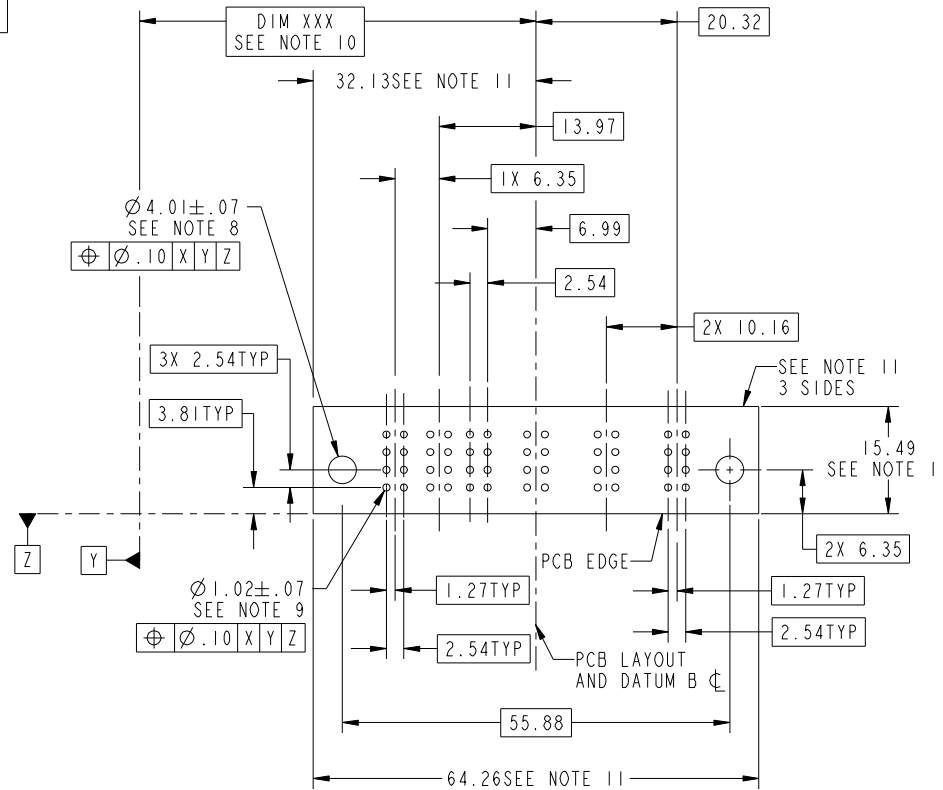
Pro/E

Tous droits strictement reserves. Reproduction ou communication a des tiers interdite sous quelque forme que ce soit sans autorisation écrite du propriétaire. Propriete de c FCI. Droits de reproduction FCI.



All rights strictly reserved. Reproduction or issue to third parties in any form whatever is not permitted without written authority from the proprietor. Property of FCI. Copyright FCI.

PRODUCT NUMBER
51915-036--
NOTE: 3



mat'l code				SEE NOTE 2		tolerances unless otherwise specified		CUSTOMER		FCI www.fciconnect.com	
ltr	ecn no.	dr	date	linear	0.X ± 0.5	projection		COPY		title	
C					0.XX ± 0.25	⊕		5P + 12S + 2P R/A SOLDER RECEPTACLE		product family PwrBlade code 213	
				angles	0.XXX ± 0.10	MIM		size		sheet 3	
				dr	0° + 2°	← MIM →		dwg no		51915-036	
				enr	T. BRUNGARD 10/14/03	scale		A		cage code 22526	
				chr	M. GRAY 10/14/03	1:1					
				appd	M. GRAY 10/14/03						
sheet index	revision sheet										

Pro/E

cage code 22526

Tous droits strictement reserves. Reproduction ou communication a des tiers interdite sous quelque forme que ce soit sans autorisation écrite du propriétaire. Propriete de c FCI. Droits de reproduction FCI.



All rights strictly reserved. Reproduction or issue to third parties in any form whatever is not permitted without written authority from the proprietor. Property of FCI. Copyright FCI.

PRODUCT NUMBER
51915-036--
NOTE: 3

NOTES:

1. DIMENSIONS AND TOLERANCES ARE IN ACCORDANCE WITH ASME Y14.5M, 1994 UNLESS OTHERWISE SPECIFIED.

CONNECTOR NOTES:

- 2. HOUSING MATERIAL: UL 94 V-0 GLASS FILLED
HIGH-TEMP THERMOPLASTIC
POWER CONTACT MATERIAL: COPPER ALLOY
SIGNAL PIN MATERIAL: COPPER ALLOY
- 3. PLATING:
SEE ITEM 5 & 6 IN PRINT 10064183 FOR PLATING SPEC OF 51915-036; 51915-036LF PRESPECTIVELY
- 4. MANUFACTURER'S NAME, P/N, AND DATE CODE TO APPEAR ON THIS SURFACE.
- 5. PRODUCT SPECIFICATION GS-12-149.
APPLICATION SPECIFICATION BUS-20-067.
- 6. PACKAGED IN TRAYS.

PCB NOTES:

- 7. ALL HOLE DIAMETERS ARE FINISHED HOLE SIZE.
- 8. MOUNTING HOLES, WHERE APPLICABLE, ARE UNPLATED.
- 9. $\varnothing 1.151 \pm 0.025$ DRILLED HOLES PLATED WITH
0.008 MIN SnPb OR Sn OVER 0.03
TO 0.08 Cu PLATING TO ACHIEVE
 $\varnothing 1.02 \pm .07$ HOLE.
- 10. "DIM XXX" TO BE DETERMINED BY THE CUSTOMER.
- 11. CONNECTOR KEEP-OUT ZONE.
- 12. A Δ SYMBOL WILL BE NEXT TO ANY DIMENSION, VIEW, OR NOTE WHICH HAS BEEN MODIFIED WITH THE CURRENT DRAWING REVISION.

mat'l code		SEE NOTE 2		tolerances unless otherwise specified		CUSTOMER		www.fciconnect.com	
ltr	ecn no.	dr	date	linear	$0.X \pm 0.5$	COPY		projection	title 5P + 12S + 2P R/A SOLDER RECEPTACLE
C					$0.XX \pm 0.25$				
					$0.XXX \pm 0.10$				
				angles	$0^\circ + 2^\circ$	scale		product family	PwrBlade
		dr	T. BRUNGARD	10/14/03	1:1		size	dwg no	213
		enrg	M. GRAY	10/14/03			A	51915-036	sheet
		chr	M. GRAY	10/14/03					4
		appd	M. GRAY	10/14/03					
sheet index	revision sheet								

cage code 22526

Pro/E