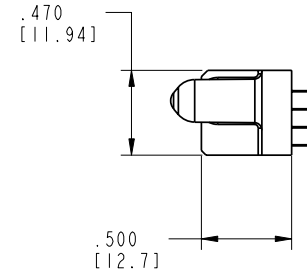
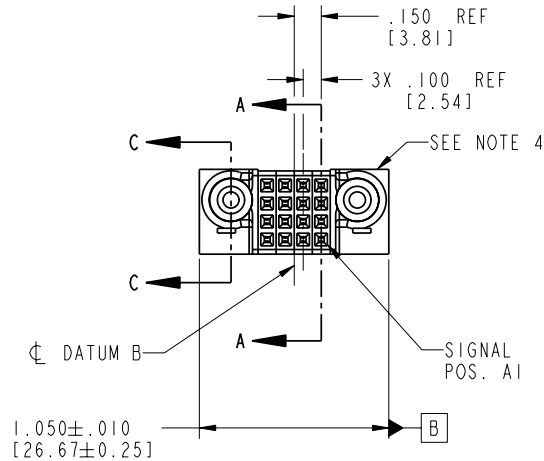


Tous droits strictement réservés. Reproduction ou communication o des tiers interdite sous quelque forme que ce soit sans autorisation écrite du propriétaire. Propriété de c FCI. Droits de reproduction FCI.



All rights strictly reserved. Reproduction or issue to third parties in any form whatever is not permitted without written authority from the proprietor. Property of FCI. Copyright FCI.

PRODUCT NO.	ROWS	SIGNAL				
		E2	4	3	2	1
51940-136-- NOTE 3	D C A					



CODE	DIM "M" MATING LENGTH	CONTACT TYPE
F	N/A [N/A]	SIGNAL

mat'l code				SEE NOTE 2		tolerances unless otherwise specified		CUSTOMER		FCI	
lfr	ecn no.	dr	date	linear	.XX±.01/0.X±0.3	COPY		www.fciconnect.com			
A	DG05-0073	SLUO	4/5/05		.XXX±.005/0.XX±0.13	projection		title 16S			
B	DG06-0181	RYAN	05/10/06	angles	.XXX±.002/0.XXX±0.051			VERTICAL PF RECEPT			
				dr	SLUO 4/5/05	INCH/MM		product family		PwrBlade	
				engr	SLUO 4/5/05	scale		size		code	
				chr	VICTOR LIN 4/5/05	1:1		A		213	
				appd	JOSEPH HSIA 4/5/05			51940-136		sheet	
sheet index	revision	B	B	B	A					1 of 4	
	sheet	1	2	3	4						

cage code 22526

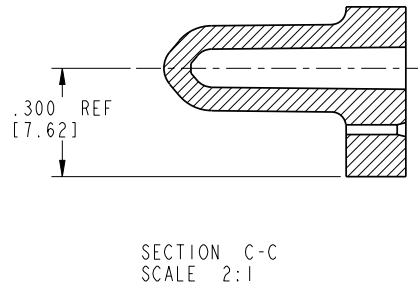
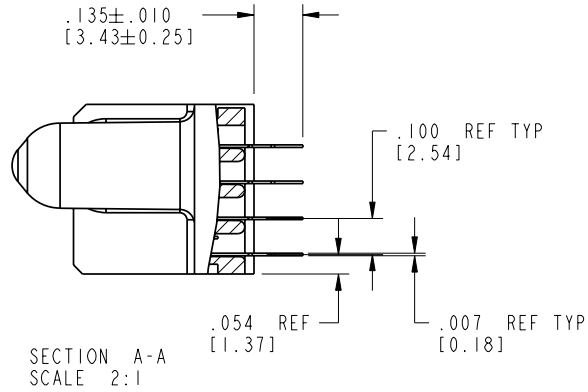
Pro/E

Tous droits strictement reserves. Reproduction ou communication a des tiers interdite sous quelque forme que ce soit sans autorisation écrite du propriétaire. Propriete de c FCI. Droits de reproduction FCI.



All rights strictly reserved. Reproduction or issue to third parties in any form whatever is not permitted without written authority from the proprietor. Property of FCI. Copyright FCI.

PRODUCT NUMBER
51940-136--
NOTE 3



mat'l code		SEE NOTE 2		tolerances unless otherwise specified		CUSTOMER		FCI	
lfr	ecn no.	dr	date	linear	.XX±.01/0.X±0.3	COPY		www.fciconnect.com	
B				linear	.XXX±.005/0.XX±0.13	projection	title 16S		
				linear	.XXX±.002/0.XXX±0.051		VERTICAL PF RECEPT		
				angles	0°±2°		product family	PwrBlade	code
				dr	SLUO 4/5/05	INCH/MM	size	dwg no	213
				enrg	SLUO 4/5/05	scale	A	51940-136	sheet
				chr	VICTOR LIN 4/5/05	1:1			2 of 4
				appd	JOSEPH HSIA 4/5/05				
sheet index	revision sheet								

cage code 22526

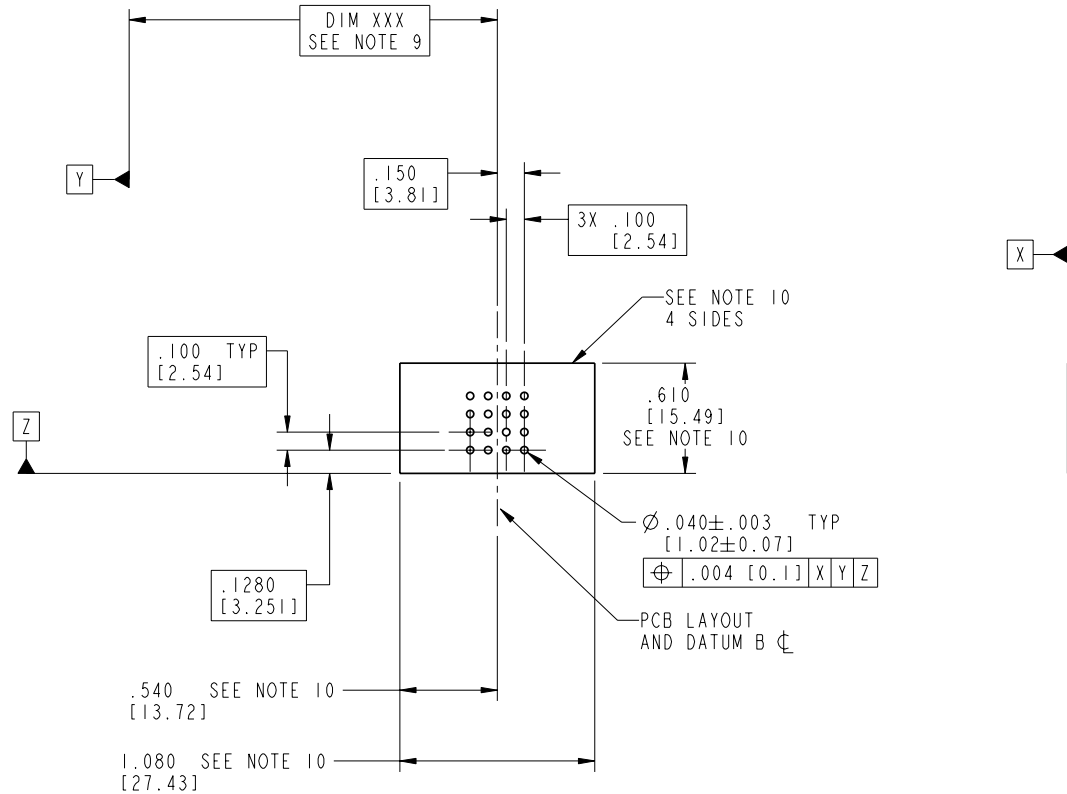
Pro/E

Tous droits strictement reserves. Reproduction ou communication a des tiers interdite sous quelque forme que ce soit sans autorisation écrite du propriétaire. Propriete de c FCI. Droits de reproduction FCI.



All rights strictly reserved. Reproduction or issue to third parties in any form whatever is not permitted without written authority from the proprietor. Property of FCI. Copyright FCI.

PRODUCT NUMBER
51940-136--
NOTE 3



mat'l code SEE NOTE 2				tolerances unless otherwise specified		CUSTOMER		FCI	
lfr	ecn no.	dr	date	linear	.XX±.01/0.X±0.3	COPY		www.fciconnect.com	
B					.XXX±.005/0.XX±0.13	projection	title 16S		
				angles	.XXX±.002/0.XXX±0.051			VERTICAL PF RECEPT	
				dr	SLUO 4/5/05	INCH/MM	product family	PwrBlade	code
				enrg	SLUO 4/5/05	scale	size	dwg no	213
				chr	VICTOR LIN 4/5/05	1:1	A	51940-136	sheet
				appd	JOSEPH HSIA 4/5/05				3 of 4
sheet index	revision sheet								

cage code 22526

Pro/E

Tous droits strictement reserves. Reproduction ou communication a des tiers interdite sous quelque forme que ce soit sans autorisation écrite du propriétaire. Propriete de c FCI. Droits de reproduction FCI.



All rights strictly reserved. Reproduction or issue to third parties in any form whatever is not permitted without written authority from the proprietor. Property of FCI. Copyright FCI.

PRODUCT NUMBER
51940-136 -- NOTE 3

NOTES:

1. DIMENSIONS AND TOLERANCES ARE IN ACCORDANCE WITH ASME Y14.5M, 1994 UNLESS OTHERWISE SPECIFIED.

CONNECTOR NOTES:

- 2 HOUSING MATERIAL: UL 94 V-0 GLASS FILLED
HIGH-TEMP THERMOPLASTIC
SIGNAL PIN MATERIAL: COPPER ALLOY
- 3. PLATING:
SEE PRINT 10064183 FOR PLATING SPEC OF 51940-136; 51940-136LF

4 NO LASER MARK ON THIS SURFACE.

5. PRODUCT SPECIFICATION GS-12-149.
APPLICATION SPECIFICATION BUS-20-067.

6. PACKAGED IN TRAYS.

PCB NOTES:

- 7. ALL HOLE DIAMETERS ARE FINISHED HOLE SIZE.
- 8. $\varnothing .0453 \pm .0010$ [1.151 \pm 0.025] DRILLED HOLES PLATED WITH
.0003 [0.008] MIN SnPb OVER .001 [0.03]
TO .003 [0.08] Cu PLATING TO ACHIEVE
 $\varnothing .040 \pm .003$ [1.02 \pm .07] HOLE.
- 9. "DIM XXX" TO BE DETERMINED BY THE CUSTOMER.
- 10. CONNECTOR KEEP-OUT ZONE.

mat'l code				SEE NOTE 2		tolerances unless otherwise specified		CUSTOMER		FCI	
lfr	ecr no.	dr	date	linear	.XX±.01/0.X±0.3	COPY		www.fciconnect.com		title	
B					.XXX±.005/0.XX±0.13	projection	16S		VERTICAL PF RECEPT		
				angles	.XXX±.002/0.XXX±0.051			product family		PwrBlade	code
				dr	SLUO 4/5/05	INCH/MM		size	dwg no	213	
				enrg	SLUO 4/5/05	scale		A	51940-136	sheet	
				chr	VICTOR LIN 4/5/05	1:1				4 of 4	
				appd	JOSEPH HSIA 4/5/05						
sheet index		revision sheet									

cage code 22526

Pro/E