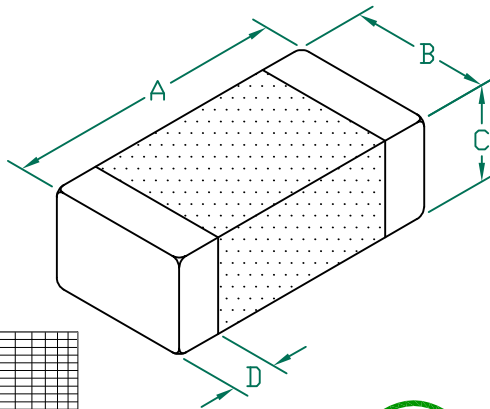


# HZ1206E152R-10

**UNCONTROLLED DOCUMENT**

**PHYSICAL DIMENSIONS:**

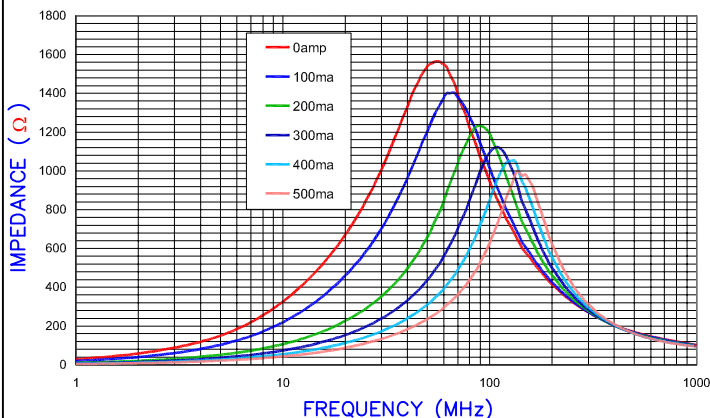
- A 3.20 [.126]  $\pm$  0.20 [.008]
- B 1.60 [.063]  $\pm$  0.20 [.008]
- C 1.10 [.043]  $\pm$  0.20 [.008]
- D 0.51 [.020]  $\pm$  0.25 [.010]



**ELECTRICAL CHARACTERISTICS:**

Z @ 50MHz ( $\Omega$ )	DCR ( $\Omega$ )	Rated Current
Nominal	1500	
Minimum	1250	
Maximum	1875	0.300
		500 mA

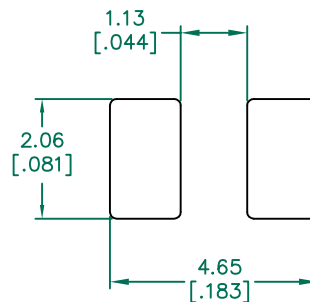
Z vs FREQUENCY  
IMPEDANCE UNDER DC BIAS



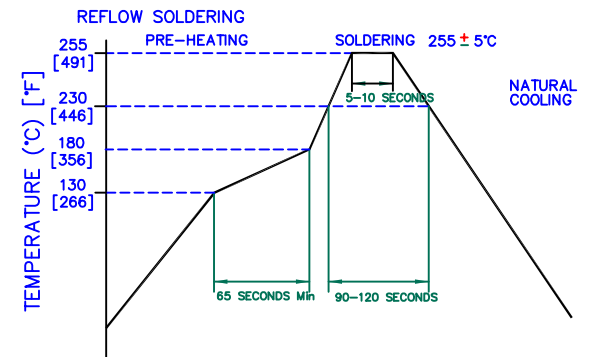
- NOTES: UNLESS OTHERWISE SPECIFIED
1. TAPED AND REELED per CURRENT EIA SPECIFICATIONS 7" REELS, 3000 PCS/REEL.
  2. COMPONENTS SHOULD BE ADEQUATELY PREHEATED BEFORE SOLDERING.
  3. TERMINATION FINISH IS 100% TIN.
  4. OPERATING TEMP. RANGE:  $-40^{\circ}\text{C} \sim +125^{\circ}\text{C}$  (INCLUDING SELF-HEATING)

**LAND PATTERNS FOR REFLOW SOLDERING**

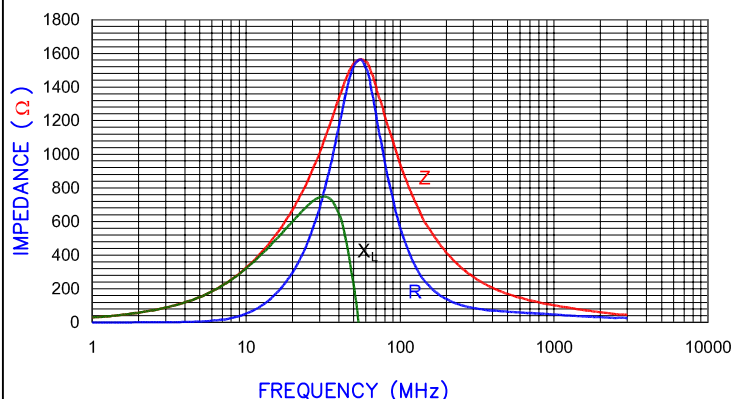
**RECOMMENDED SOLDERING CONDITIONS**



(For wave soldering, add 0.762 [0.030] to this dimension)



|Z|, R, AND X vs. FREQUENCY



— Z — R — X<sub>L</sub>



DIMENSIONS ARE IN mm [INCHES].				This print is the property of Laird Tech. and is loaned in confidence subject to return upon request and with the understanding that no copies shall be made without the written consent of Laird Tech. All rights to design or invention are reserved.			
C	ADD OPERATING TEMPERATURE UPDATE LAIRD LOGO AND REFLOW CURVE	08/05/13	QU	PROJECT/PART NUMBER:	HZ1206E152R-10	REV	C
B	UPDATE COMPANY LOGO AND ROHS SYMBOL	03/24/08	JRK	PART TYPE:	CO-FIRE	DRAWN BY:	JRK
A	ORIGINAL DRAFT	02/16/05	JRK	DATE:	02/16/05	SCALE:	NTS
REV	DESCRIPTION	DATE	INT	CAD #	HZ1206E152R-10-C	TOOL #	-
						SHEET:	2 of 2

