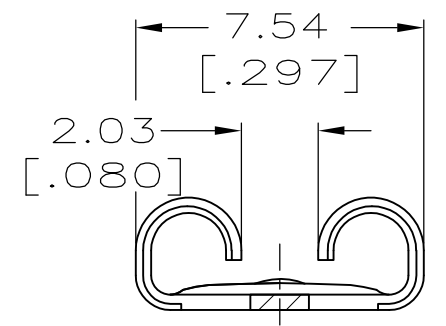
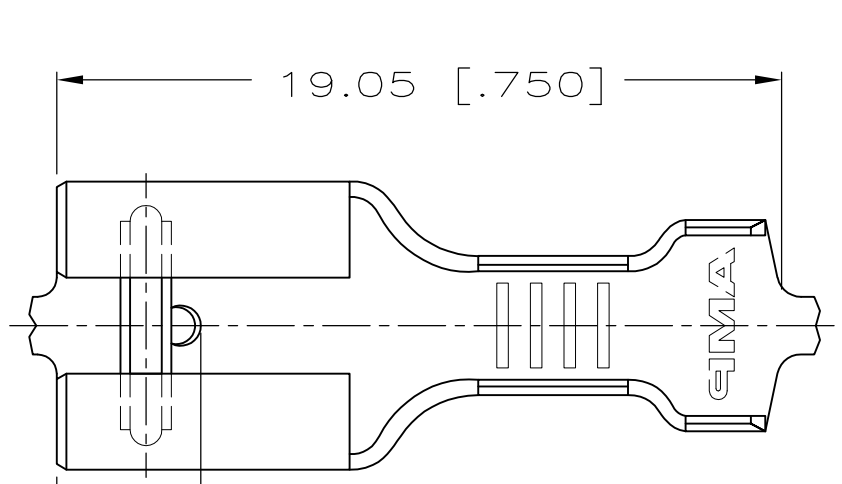


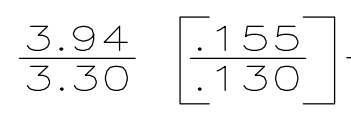
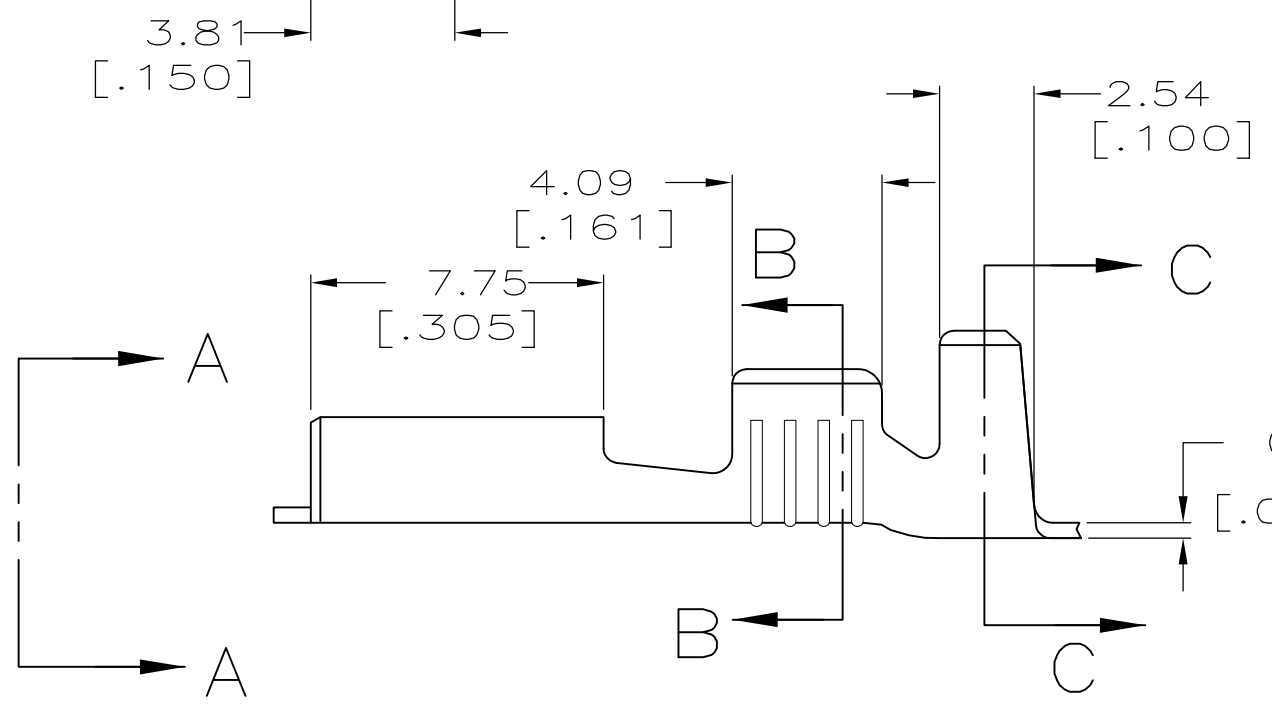
THIS DRAWING IS UNPUBLISHED. RELEASED FOR PUBLICATION
 © COPYRIGHT - By - ALL RIGHTS RESERVED.

| LOC | DIST | REVISIONS | | | |
|-----|------|---------------------------|-----------|-----|------|
| P | LTR | DESCRIPTION | DATE | DWN | APVD |
| AF | 50 | | | | |
| | D | REVISED PER ECR-12-013518 | 23NOV2012 | KH | PD |

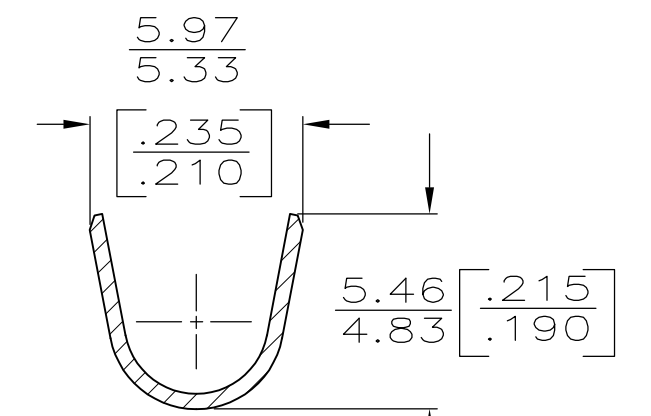
- 1 CONTINUOUS STRIP ON REELS.
- 2 WIRE SIZE IS [#18-#14] AWG.
- 3 MATING TAB THK IS 0.81 ± 0.025 [.032 ± .001]
- 4 INSULATION RANGE IS 3.05-4.32 [.120-.170] DIA.



VIEW A-A



SECTION B-B



SECTION C-C

± 0.025
 0.41
 ± 0.001
 [.016]

1217272-1
 PART NO.

| | | | | | | | | | | | | | | | | |
|--|---------------|------------------|-----------|------------------|------------------------|-----|-------|---------------|-------|-----|-------|-----|--------|-----|--------------|--|
| THIS DRAWING IS A CONTROLLED DOCUMENT. | | DWN | JR RUTH | 15NOV99 | TE Connectivity | | | | | | | | | | | |
| DIMENSIONS: mm [INCHES] | | CHK | MS FEHER | 15NOV99 | | | | | | | | | | | | |
| TOLERANCES UNLESS OTHERWISE SPECIFIED: | | APVD | D BRATINA | 15NOV99 | | | | | | | | | | | | |
| <table border="0"> <tr><td>0 PLC</td><td>± -</td></tr> <tr><td>1 PLC</td><td>± -</td></tr> <tr><td>2 PLC</td><td>± 0.25 [.010]</td></tr> <tr><td>3 PLC</td><td>± -</td></tr> <tr><td>4 PLC</td><td>± -</td></tr> <tr><td>ANGLES</td><td>± -</td></tr> </table> | | 0 PLC | ± - | 1 PLC | | ± - | 2 PLC | ± 0.25 [.010] | 3 PLC | ± - | 4 PLC | ± - | ANGLES | ± - | PRODUCT SPEC | |
| 0 PLC | ± - | | | | | | | | | | | | | | | |
| 1 PLC | ± - | | | | | | | | | | | | | | | |
| 2 PLC | ± 0.25 [.010] | | | | | | | | | | | | | | | |
| 3 PLC | ± - | | | | | | | | | | | | | | | |
| 4 PLC | ± - | | | | | | | | | | | | | | | |
| ANGLES | ± - | | | | | | | | | | | | | | | |
| MATERIAL BRASS | | FINISH - | | APPLICATION SPEC | | | | | | | | | | | | |
| | | WEIGHT - | | RESTRICTED TO | | | | | | | | | | | | |
| | | CUSTOMER DRAWING | | SIZE | A3 | | | | | | | | | | | |
| | | | | CAGE CODE | 00779 | | | | | | | | | | | |
| | | | | DRAWING NO | C-1217272 | | | | | | | | | | | |
| | | | | SCALE | 5:1 | | | | | | | | | | | |
| | | | | SHEET | 1 OF 1 | | | | | | | | | | | |
| | | | | REV | D | | | | | | | | | | | |