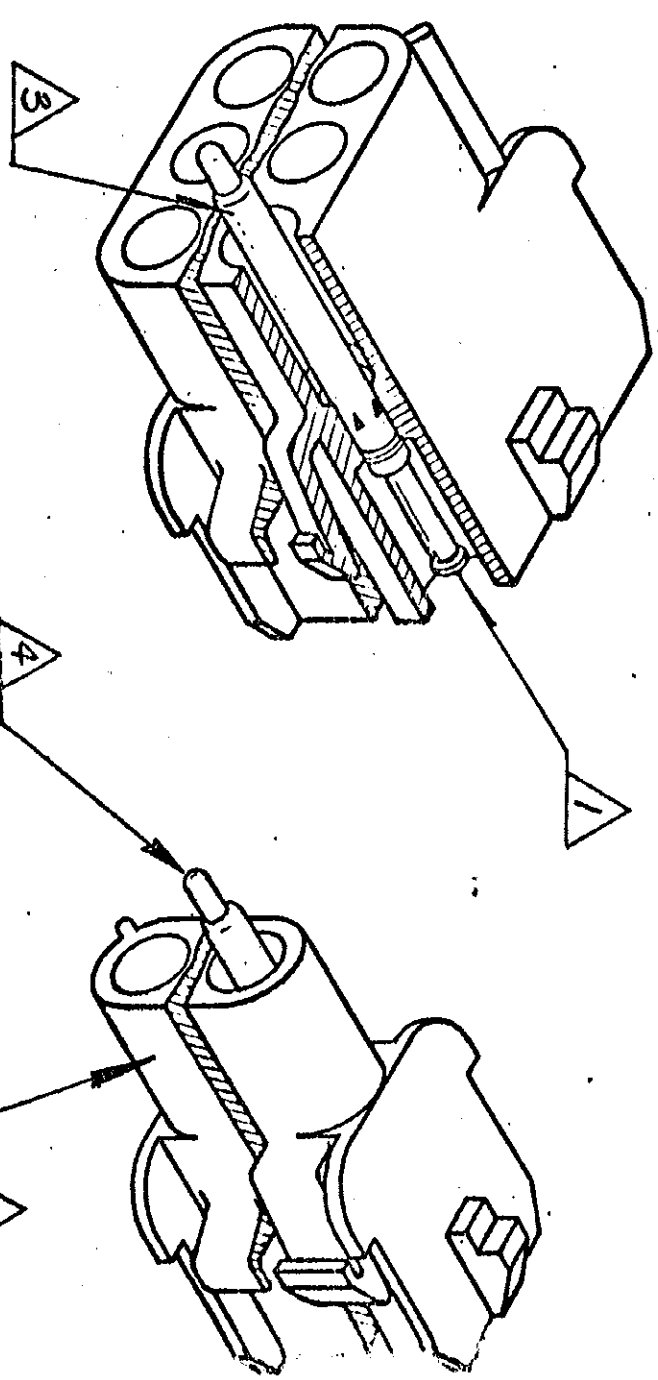


DRAWING MADE IN THIRD ANGLE PROJECTION

© COPYRIGHT 1975 BY AMP INCORPORATED, HARRISBURG, PA.
 ALL INTERNATIONAL RIGHTS RESERVED. AMP INCORPORATED PRODUCTS
 COVERED BY U.S. FOREIGN PATENTS AND/OR PATENTS PENDING.



STYLE II

STYLE I

REVISIONS		1	Loc	CM	Dist	5-3
REV	ZONE	LTR	DESCRIPTION	DATE	APPROVED	
2	A	A	REMOVED STICKER PER M-6833	2-3-82	MSF/AH	
1	A1	A1	RESTORATION	4-8-85	AKS/NJ	
1	B	B	OBsolete-3,-4,-5,-6,-9, 1--2 & 1--5 PER CM-1160	6-6-88	PH	RS

- 1 SPRING LOADED TEST PROBE
- 2 CAP HOUSING, MATERIAL-NYLON (94V-2 RATING), FINISH - NATURAL
- 3 TEST PROBE RECEPTACLE MATERIAL-BRASS, FINISH-PRE-TIN
- 4 ACCEPTS UNIVERSAL MATE-N-LOK SOCKETS

UNLESS OTHERWISE SPECIFIED DIMENSIONS ARE IN INCHES. TOLERANCES ON: DECIMALS ± .01 ANGLES		CONTRACT NO		NAME	
MATERIAL		DR B.C. WINGARD 8/15/75		UNIVERSAL MATE-N-LOK™ CAP TEST ASSEMBLY	
FINISH		CHY A. WINGARD 8/27/75		AMP INCORPORATED Harrisburg, Pa.	
APPRO APPD		APPRO APPD		NO. OF CIRCuits	
DSGN APPD		OTHER APPD		2	
OTHER APPD		SCALE NTS		PART NO	
		B		350773-2	
		00779		350773	

AMP 1470-15 (7-73)

CUSTOMER DRAWING