

# Customer Information Sheet

DRAWING No.: M80-333 TO M80-334

SHEET 1 OF 2

IF IN DOUBT - ASK

(C)

NOT TO SCALE

THIRD ANGLE PROJECTION

ALL DIMENSIONS IN mm

**SPECIFICATIONS:**

**MATERIALS:**

BODY = COPPER ALLOY

**FINISH:**

BODY = GOLD

**ELECTRICAL:**

CONTACT RESISTANCE =  $6m\Omega$  MAX

CURRENT RATING = 20A

**MECHANICAL:**

DURABILITY = 500 OPERATIONS

INSERTION FORCE = 8N MAX

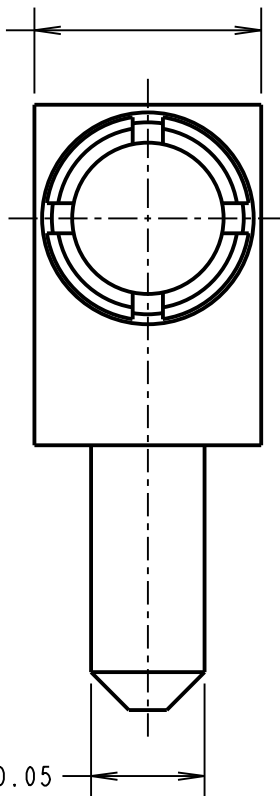
WITHDRAWAL FORCE = 0.5N MIN

CONTACT REPLACEMENT IN INSULATOR = 5 TIMES

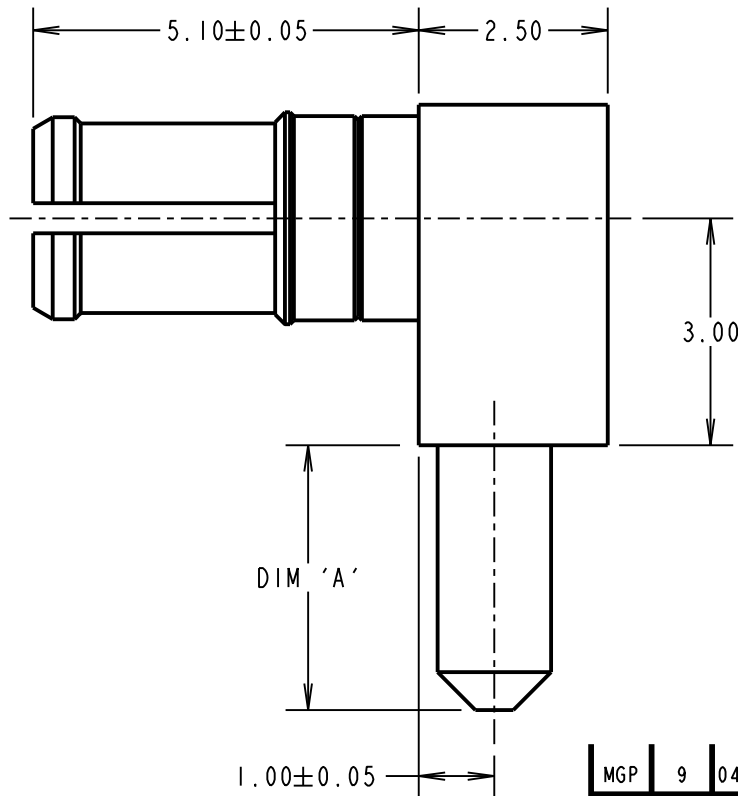
**ENVIRONMENTAL:**

TEMPERATURE RANGE =  $-55^{\circ}\text{C}$  TO  $+125^{\circ}\text{C}$

$3.00^{0}_{-0.10}$

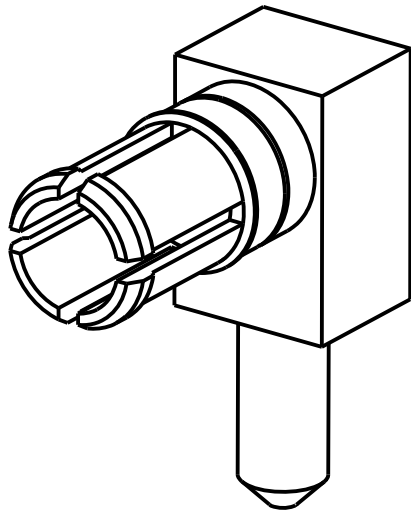


$\varnothing 1.50 \pm 0.05$



DIM 'A'

$1.00 \pm 0.05$



**NOTES:**

- RECOMMENDED PCB HOLE SIZE =  $\varnothing 1.60\text{mm}$  MIN.
- FOR ALL OTHER ELECTRICAL/ MECHANICAL REQUIREMENTS, SEE COMPONENT SPECIFICATION C005XX (LATEST ISSUE).

PART No.	DIM 'A'
M80-333	3.50
M80-334	5.00

MGP	9	04.01.13	11898
NAME	ISS.	DATE	C/NOTE
APPROVED: MGP			
CHECKED: SB			
DRAWN: W. J. BOURNE			
CUSTOMER REF.:			
ASSEMBLY DRG:			

**HARWIN**

www.harwin.com  
technical@harwin.com

THIS DRAWING AND ANY INFORMATION OR DESCRIPTIVE MATTER SET OUT HEREON ARE CONFIDENTIAL AND COPYRIGHT PROPERTY OF THE HARWIN GROUP AND MUST NOT BE DISCLOSED, LOANED, COPIED OR USED FOR MANUFACTURING, TENDERING OR FOR ANY OTHER PURPOSE WITHOUT THEIR WRITTEN PERMISSION.

**TOLERANCES**

X. =  $\pm 1\text{mm}$   
X.X =  $\pm 0.25\text{mm}$   
X.XX =  $\pm 0.10\text{mm}$   
X.XXX =  $\pm 0.01\text{mm}$

ANGLES =  $\pm 5^{\circ}$   
UNLESS STATED

**MATERIAL:**

SEE ABOVE

FINISH: SEE ABOVE

S/AREA:

mm<sup>2</sup>

TITLE: DATAMATE MIX-TEK  
POWER CONTACT  
MALE HORIZONTAL PC-TAIL

DRAWING NUMBER:

**M80-333 TO M80-334**

SHT  
2 OF 2