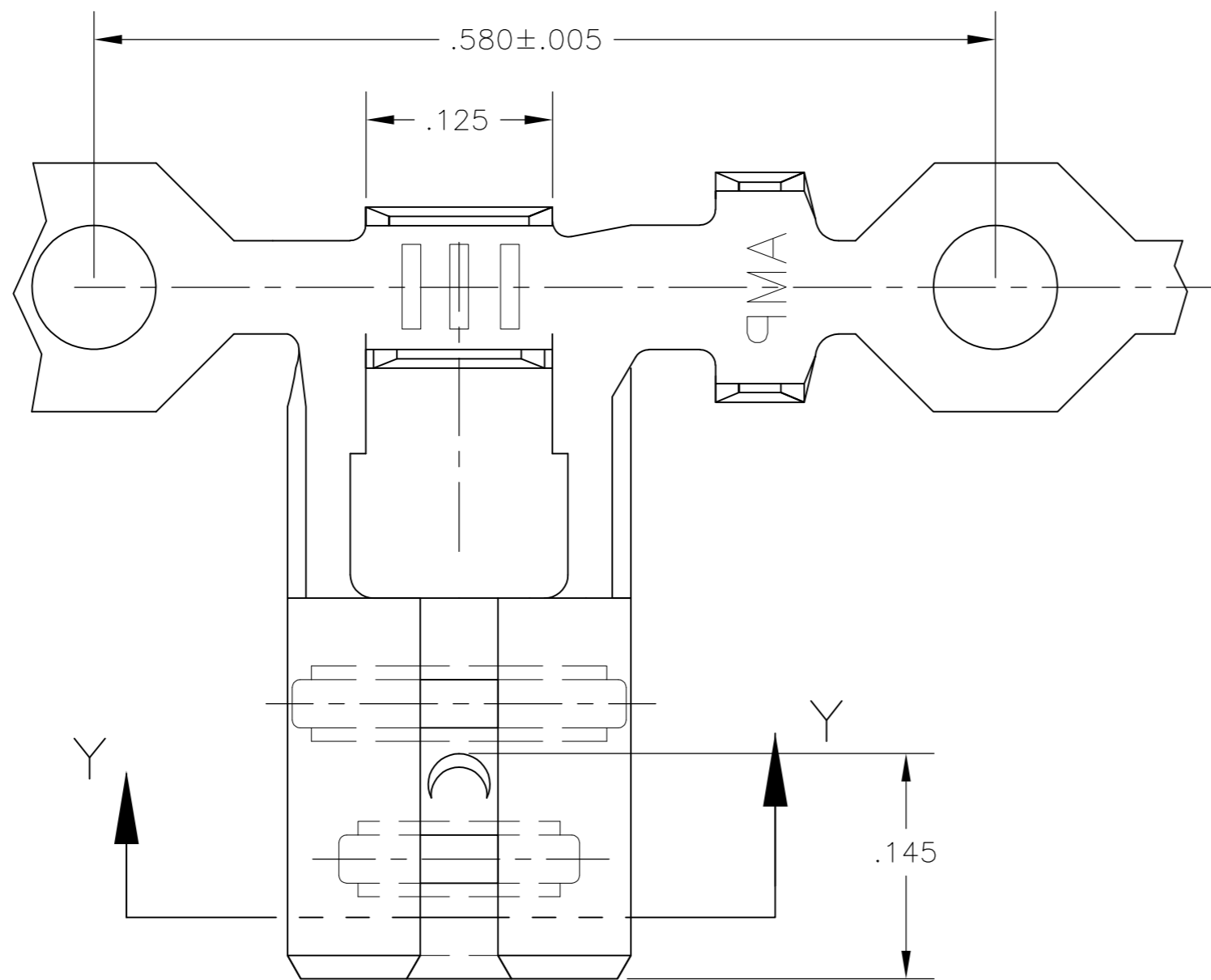
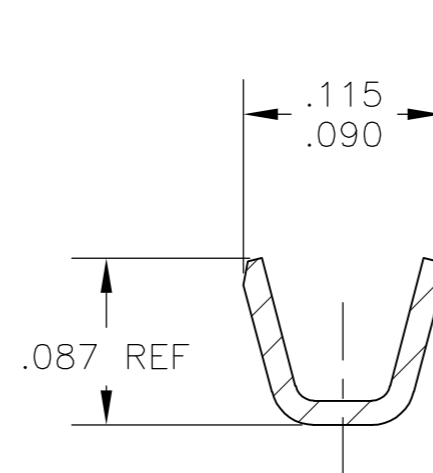


THIS DRAWING IS UNPUBLISHED. RELEASED FOR PUBLICATION
 © COPYRIGHT - By - ALL RIGHTS RESERVED.

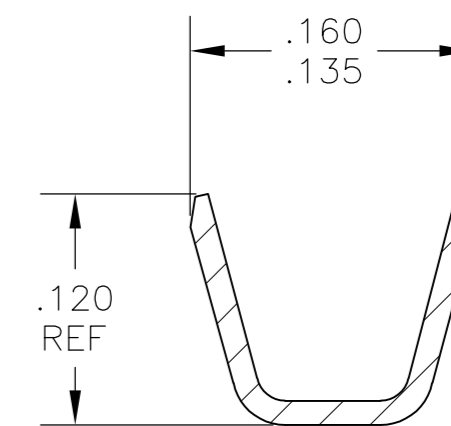
LOC		DIST		REVISIONS			
P	LTR	DESCRIPTION		DATE	DWN	APVD	
AF	14	D		REVISED PER ECR-12-013518	26NOV2012	KH	PD



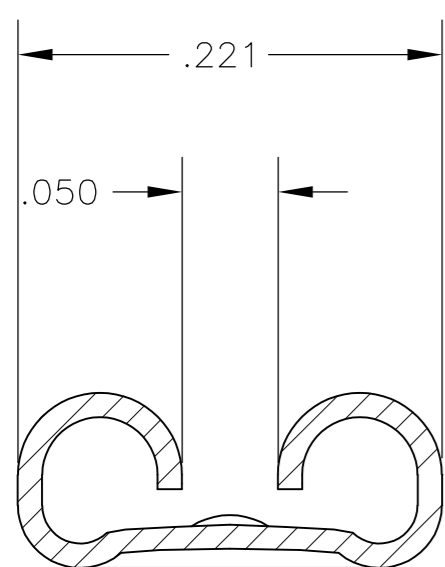
- 1 CONTINUOUS STRIP ON REELS
- 2 WIRE SIZE IS 22-18 AWG
- 3 INSULATION RANGE IS .060-.110 DIA.
- 4 MATING TAB THK IS .032±.001



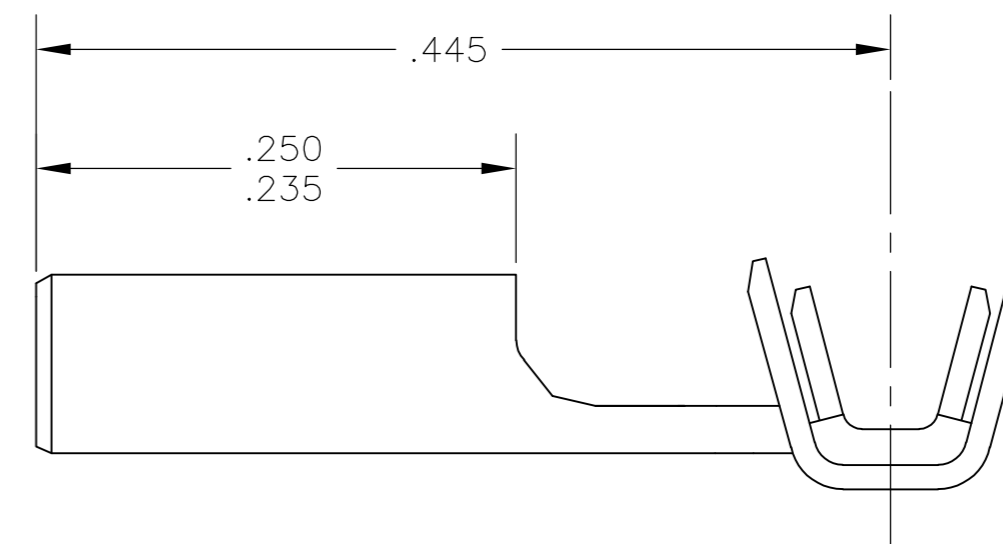
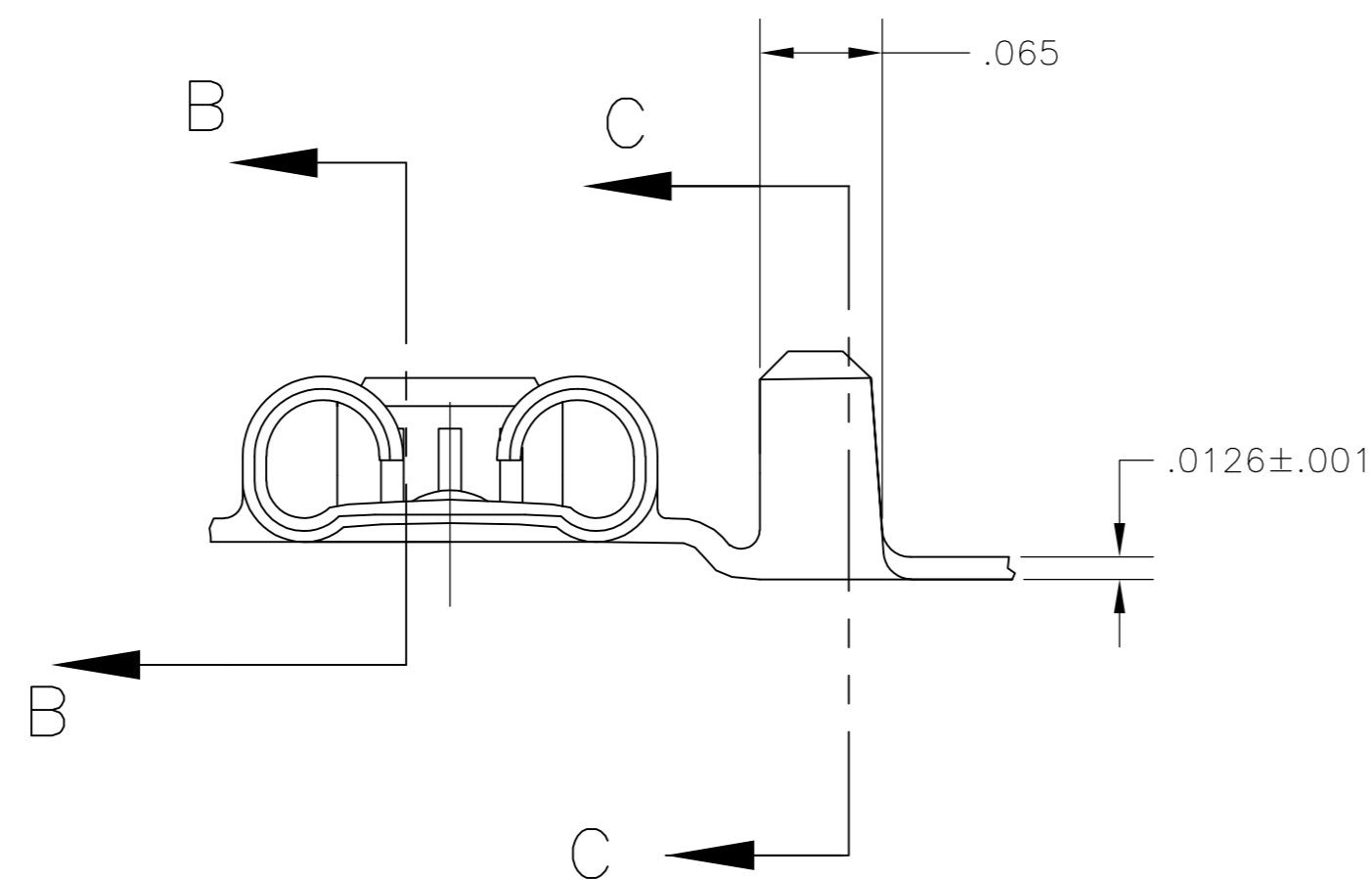
SECTION B-B



SECTION C-C



SECTION Y-Y



TIN	1742087-2
PLAIN	1742087-1
FINISH	PART NO

THIS DRAWING IS A CONTROLLED DOCUMENT.		DWN	JR RUTH	04mar04		TE Connectivity																				
DIMENSIONS: INCHES		CHK	P DESANTIS	04MAR04		NAME																				
TOLERANCES UNLESS OTHERWISE SPECIFIED:		APVD	P DESANTIS	04MAR04		RECEPTACLE, FASTON, FLAG, .187 SERIES																				
<table border="1"> <tr><td>0 PLC</td><td>±</td><td>-</td></tr> <tr><td>1 PLC</td><td>±</td><td>-</td></tr> <tr><td>2 PLC</td><td>±</td><td>-</td></tr> <tr><td>3 PLC</td><td>±</td><td>.010</td></tr> <tr><td>4 PLC</td><td>±</td><td>-</td></tr> <tr><td>ANGLES</td><td></td><td>± 2°</td></tr> </table>		0 PLC	±	-		1 PLC	±	-	2 PLC	±	-	3 PLC	±	.010	4 PLC	±	-	ANGLES		± 2°	APPLICATION SPEC		SIZE		CAGE CODE	DRAWING NO
0 PLC	±	-																								
1 PLC	±	-																								
2 PLC	±	-																								
3 PLC	±	.010																								
4 PLC	±	-																								
ANGLES		± 2°																								
MATERIAL	BRASS	FINISH	SEE TABLE	WEIGHT	-	A2	00779	C=1742087	-																	
CUSTOMER DRAWING				SCALE	10:1	SHEET	1 of 1	REV	D																	