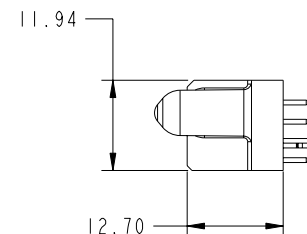
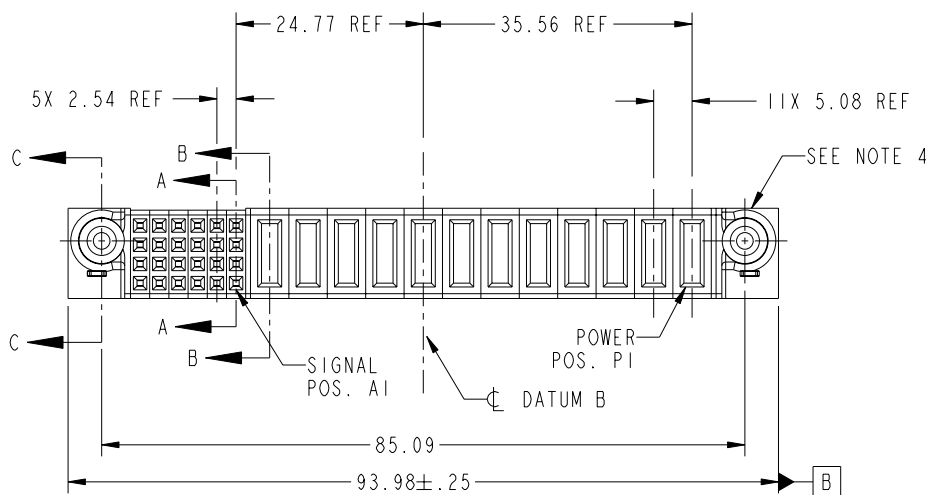


Tous droits strictement réservés. Reproduction ou communication o des tiers interdite sous quelque forme que ce soit sans autorisation écrite du propriétaire. Propriete de c FCI. Droits de reproduction FCI.



All rights strictly reserved. Reproduction or issue to third parties in any form whatever is not permitted without written authority from the proprietor. Property of FCI. Copyright FCI.

PRODUCT NO.	ROWS	SIGNAL					POWER											E1					
		E2	6	5	4	3	2	1	P12	P11	P10	P9	P8	P7	P6	P5	P4		P3	P2	P1		
51940-203-- NOTE: 3	D C B A		E	E	E	E	E	E	E	E	E	E	E	E	E	E	E	E	E	E	E		



CODE	DIM "M" MATING LENGTH	CONTACT TYPE
E	[N/A]	SIGNAL
PA	[1.07]	POWER
HA	[N/A]	HOLD-DOWN

mat'l code				SEE NOTES		tolerances unless otherwise specified		CUSTOMER		FCI www.fciconnect.com	
ltr	ecn no.	dr	date	linear	0.X ± 0.3	projection		COPY		title	
A	DG06-0474	JULIA	11/15/06	angles	0.XX ± 0.13			MM		12P + 24S VERTICAL SOLDER RECEPT	
				dr	0.XXX ± 0.051	scale		1:1		product family PwrBlade code 213	
				engr	0° ± 2°					size 51940-203 sheet 1 of 4	
				chr							
				appd							
sheet index	revision sheet	A 1	A 2	A 3	A 4					cage code 22526	

Pro/E

cage code 22526

PDM: Rev:A

STATUS: Released

Printed: Dec 20, 2010

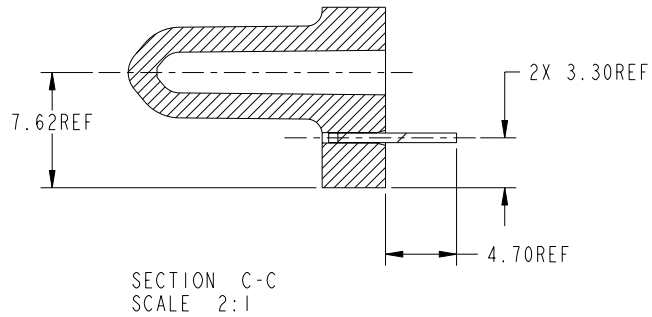
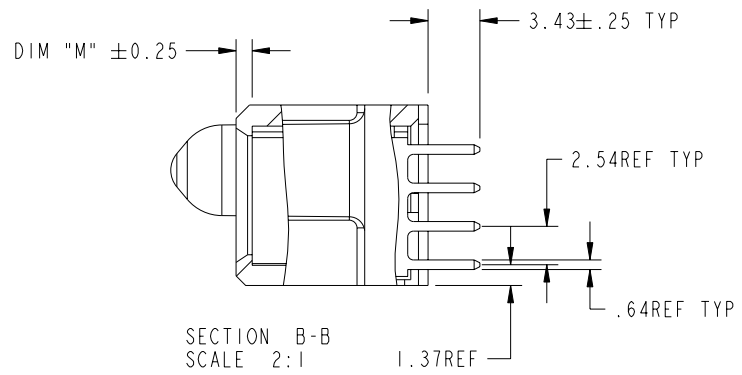
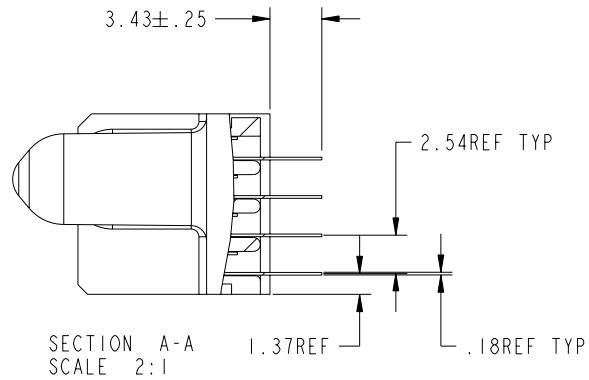
Tous droits strictement reserves. Reproduction ou communication a des tiers interdite sous quelque forme que ce soit sans autorisation ecrite du proprietaire. Propriete de c FCI. Droits de reproduction FCI.

All rights strictly reserved. Reproduction or issue to third parties in any form whatever is not permitted without written authority from the proprietor. Property of FCI. Copyright FCI.



PRODUCT NUMBER

51940-203__
NOTE: 3



mat'l code				tolerances unless otherwise specified		CUSTOMER	FCI www.fciconnect.com	
ltr	ecm no.	dr	date	linear	0.X ± 0.3	COPY	title	
A					0.XX ± 0.13	projection	12P + 24S VERTICAL SOLDER RECEPT	
				angles	0.XXX ± 0.051		product family	
					0° ± 2°		MM	PwrBlade
		dr	JULIA WANG	11/15/06			size	code
		enr	RYAN YUAN	11/15/06			A	213
		chr	BEER FU	11/15/06			dwg no	sheet
		appd	JOSEPH HSIA	11/15/06			51940-203	2 of 4
sheet index	revision sheet						cage code	
							22526	

Pro/E

cage code 22526

PDM: Rev:A

STATUS: Released

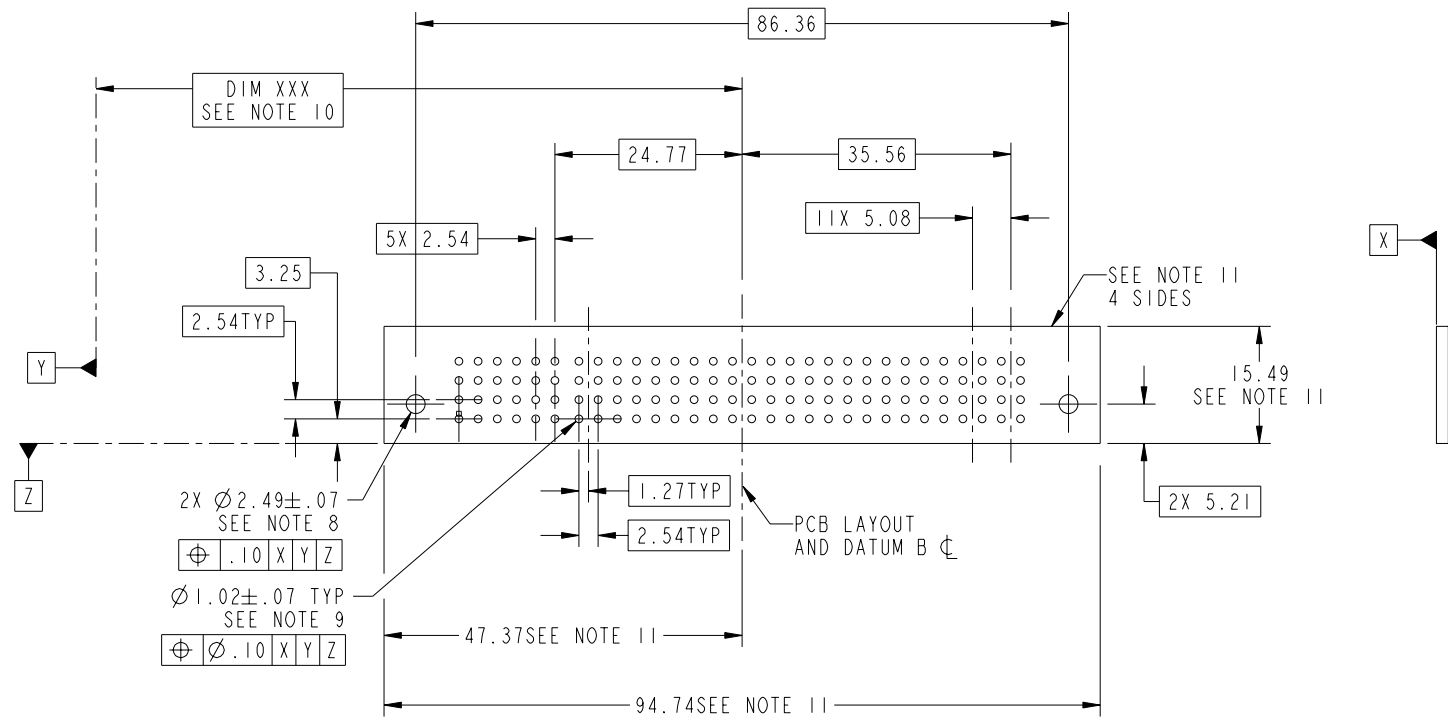
Printed: Dec 20, 2010

Tous droits strictement reserves. Reproduction ou communication a des tiers interdite sous quelque forme que ce soit sans autorisation ecrite du proprietaire. Propriete de c FCI. Droits de reproduction FCI.



All rights strictly reserved. Reproduction or issue to third parties in any form whatever is not permitted without written authority from the proprietor. Property of FCI. Copyright FCI.

PRODUCT NUMBER
51940-203__
NOTE: 3



mat'l code				tolerances unless otherwise specified		CUSTOMER	FCI www.fciconnect.com		
ltr	ecr no.	dr	date	linear	0.X ± 0.3	COPY	title		
A				projection	0.XX ± 0.13		12P + 24S VERTICAL SOLDER RECEPT		
				angles	0.XXX ± 0.051		product family	PwrBlade	code
				dr	JULIA WANG 11/15/06		size	dwg no	213
				enr	RYAN YUAN 11/15/06		A	51940-203	sheet
				chr	BEER FU 11/15/06		scale	1:1	3 of 4
				appd	JOSEPH HSIA 11/15/06				
sheet index	revision sheet								

cage code 22526

Pro/E

Tous droits strictement réservés. Reproduction ou communication o des tiers interdite sous quelque forme que ce soit sans autorisation écrite du propriétaire. Propriete de c FCI. Droits de reproduction FCI.



All rights strictly reserved. Reproduction or issue to third parties in any form whatever is not permitted without written authority from the proprietor. Property of FCI. Copyright FCI.

PRODUCT NUMBER

51940-203__
NOTE: 3

NOTES:

1. DIMENSIONS AND TOLERANCES ARE IN ACCORDANCE WITH ASME Y14.5M, 1994 UNLESS OTHERWISE SPECIFIED.

CONNECTOR NOTES:

- 2 HOUSING MATERIAL: UL 94 V-0 GLASS FILLED
HIGH-TEMP THERMOPLASTIC
POWER CONTACT MATERIAL: COPPER ALLOY
SIGNAL PIN MATERIAL: COPPER ALLOY
- 3. PLATING SPEC.
51940-203,51940-203LF PLATING SPEC. WAS SHOWN IN THE PRINT OF 10064183.
- 4 MANUFACTURER'S NAME, P/N, AND DATE CODE TO APPEAR ON THIS SURFACE.
- 5. PRODUCT SPECIFICATION GS-12-149.
APPLICATION SPECIFICATION BUS-20-067.
- 6. PACKAGED IN TRAYS.

PCB NOTES:

- 7. ALL HOLE DIAMETERS ARE FINISHED HOLE SIZE.
- 8 MOUNTING HOLES, WHERE APPLICABLE, ARE UNPLATED.
- 9 $\varnothing 1.151 \pm 0.025$ DRILLED HOLES PLATED WITH
0.008 MIN SnPb OR Sn OVER 0.03
TO 0.08 Cu PLATING TO ACHIEVE
 $\varnothing 1.02 \pm .07$ HOLE.
- 10 "DIM XXX" TO BE DETERMINED BY THE CUSTOMER.
- 11 CONNECTOR KEEP-OUT ZONE.

mat'l code				tolerances unless otherwise specified		CUSTOMER	www.fciconnect.com	
ltr	ecn no.	dr	date	linear	0.X ± 0.3	COPY	title	
A				linear	0.XX ± 0.13	projection	12P + 24S	
				angles	0.XXX ± 0.051		VERTICAL SOLDER RECEPT	
				dr	0° ± 2°		product family	PwrBlade
				enr	JULIA WANG 11/15/06	scale	size	code
				chr	RYAN YUAN 11/15/06	1:1	dwg no	213
				appd	BEER FU 11/15/06		A	4 of 4
					JOSEPH HSIA 11/15/06		51940-203	
sheet index	revision sheet							

cage code 22526

Pro/E

PDM: Rev:A

STATUS: Released

Printed: Dec 20, 2010