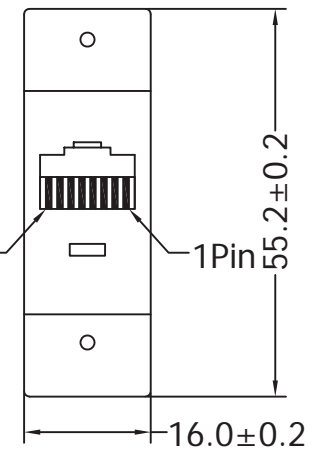
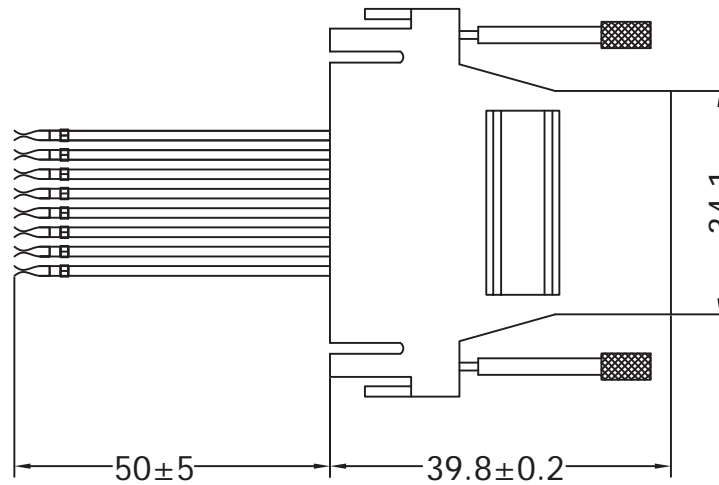
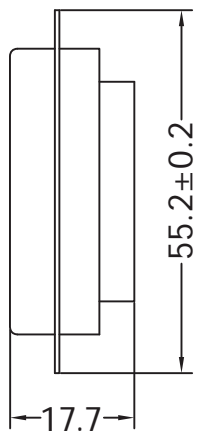
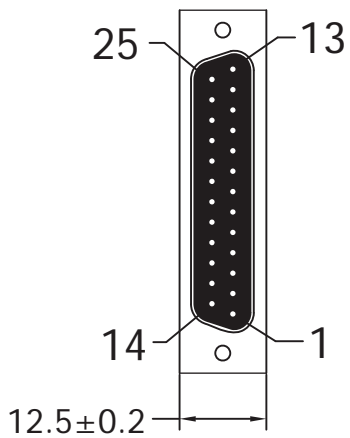
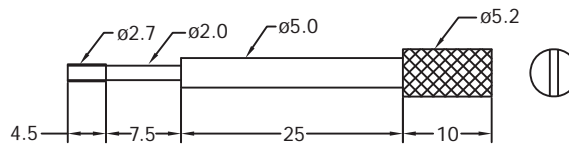
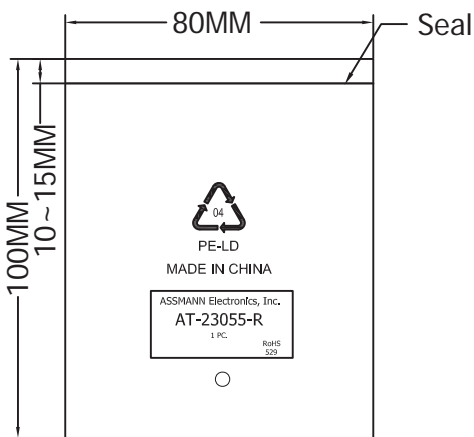


# P1



# P2



### Pin Assignment

P1	P2
Blue	1
Orange	2
Black	3
Red	4
Green	5
Yellow	6
Brown	7
White	8

### Material:

- Cable: UL 26AWG, 60MM  
- Blue, Orange, Black, Red, Green, Yellow, Brown, White
- P1 Connector: D-Sub 25-Pin Female  
- Crimp Type  
- Black Insulation
- P2 Connector: RJ45 8P8C Female 3μ"
- Color: Beige
- PVC Housing
- Thumbscrew: 5\*37MM

Unit: mm



Scale	1:1					Date	Name	
TOLERANCE						Drawn	22.11.11	Chappell
X.X	±0.40					Approved		
X.XX	±0.25							
X.XXX	±0.15							
DIM	TOL							
X.°	±3°							
X.X°	±X°							
Angle	TOL	Id.	Modification	Date	Name			

Title	
D-Sub Modular Adapter	
25 Pin Female ↔ RJ45 Female, Beige	
ASSMANN WSW-No.	
AT-23055	
Drawing-No.	
	rev00
Replace	Sheet
	1/1

