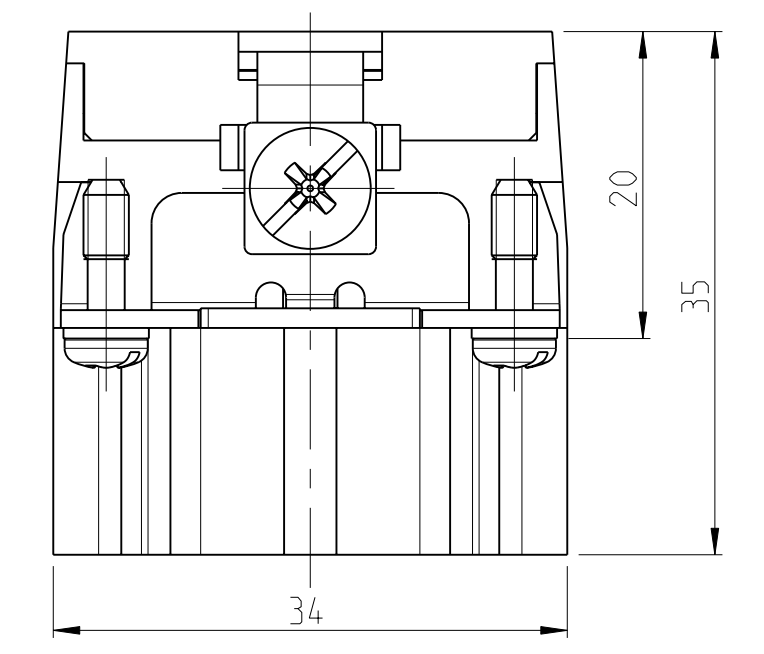
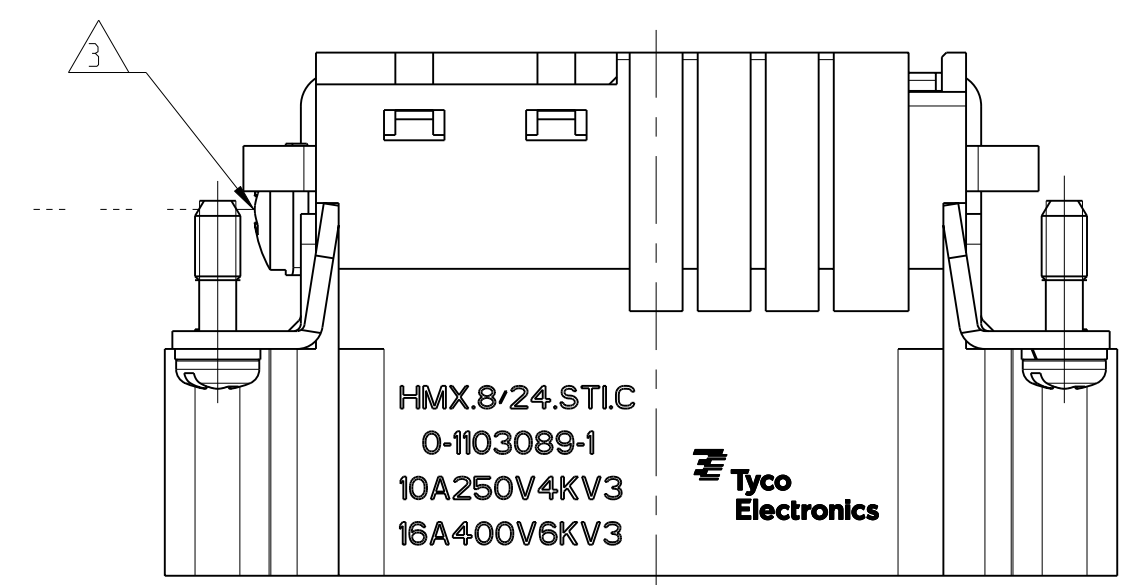
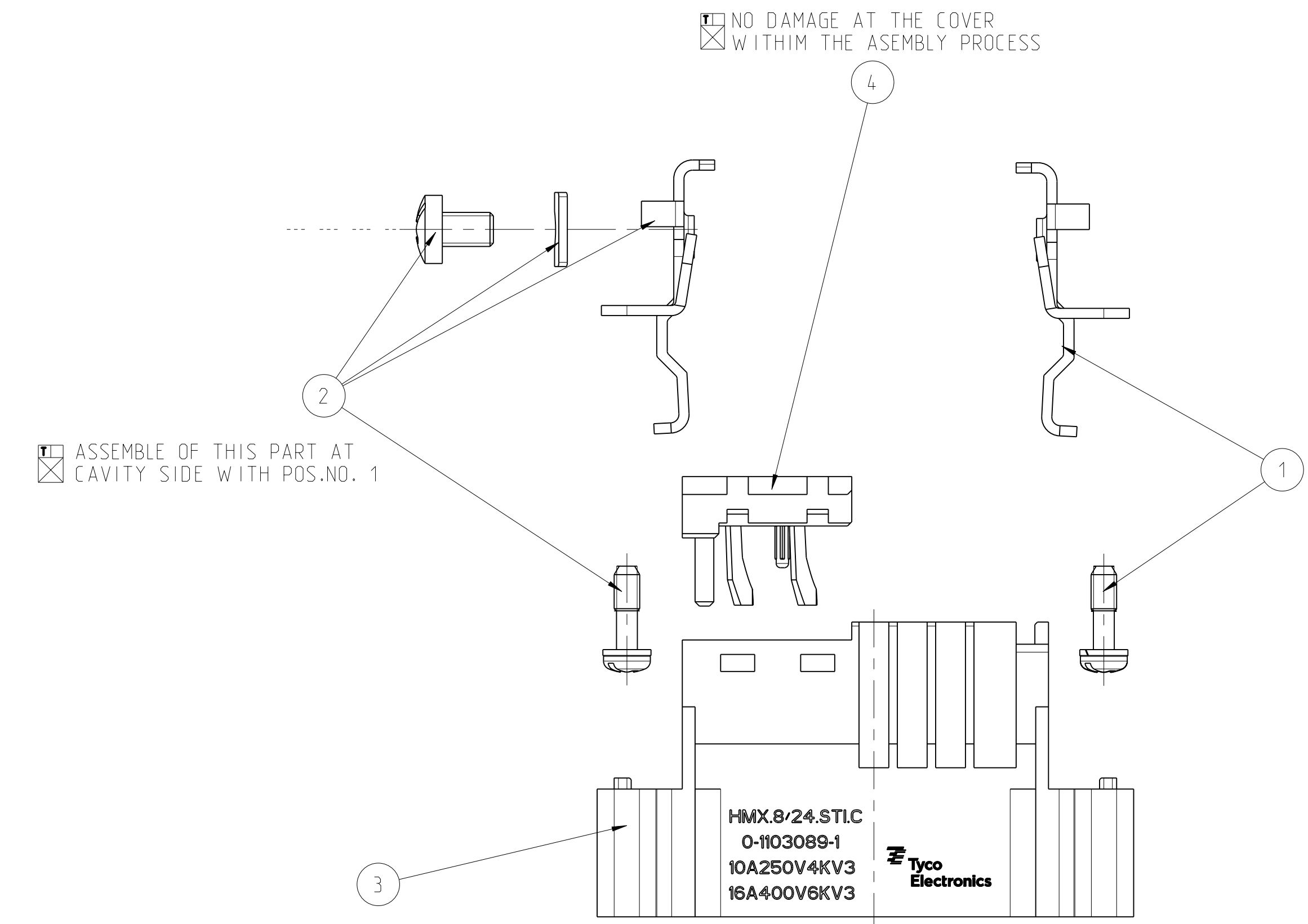
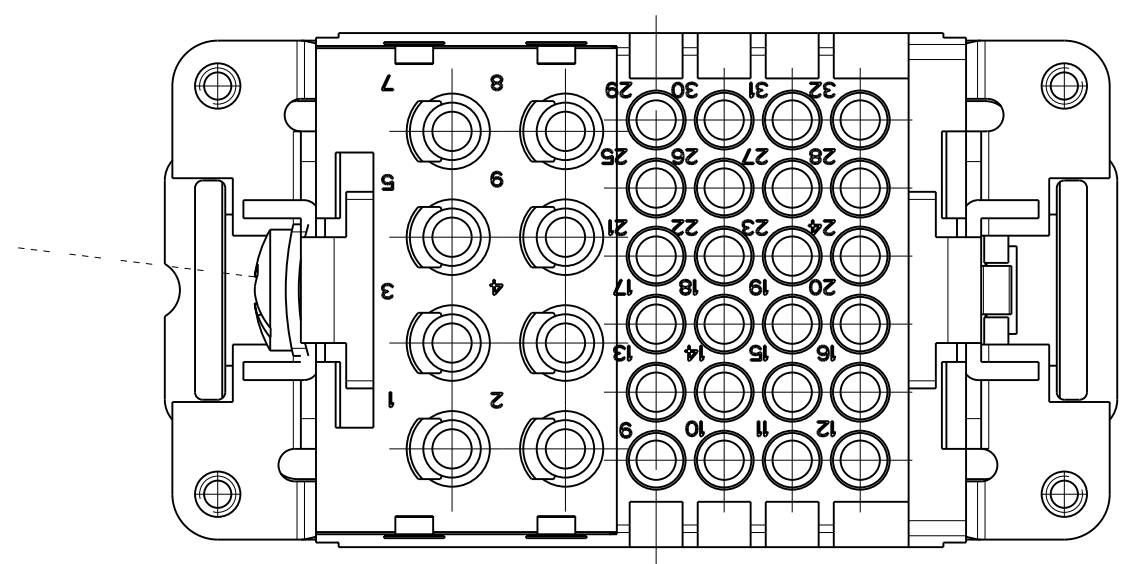


LOC	DIST	REV	DATE	BY	APPV
A1	-	C1	08FEB2010	SR	EM

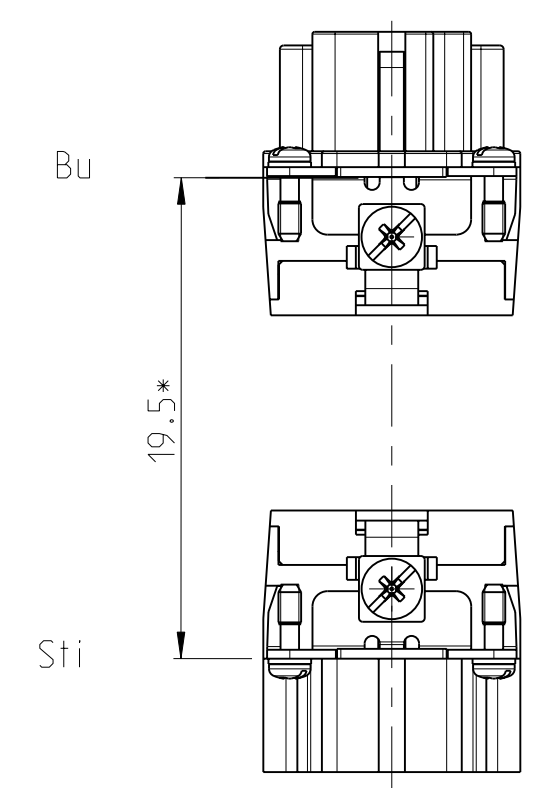
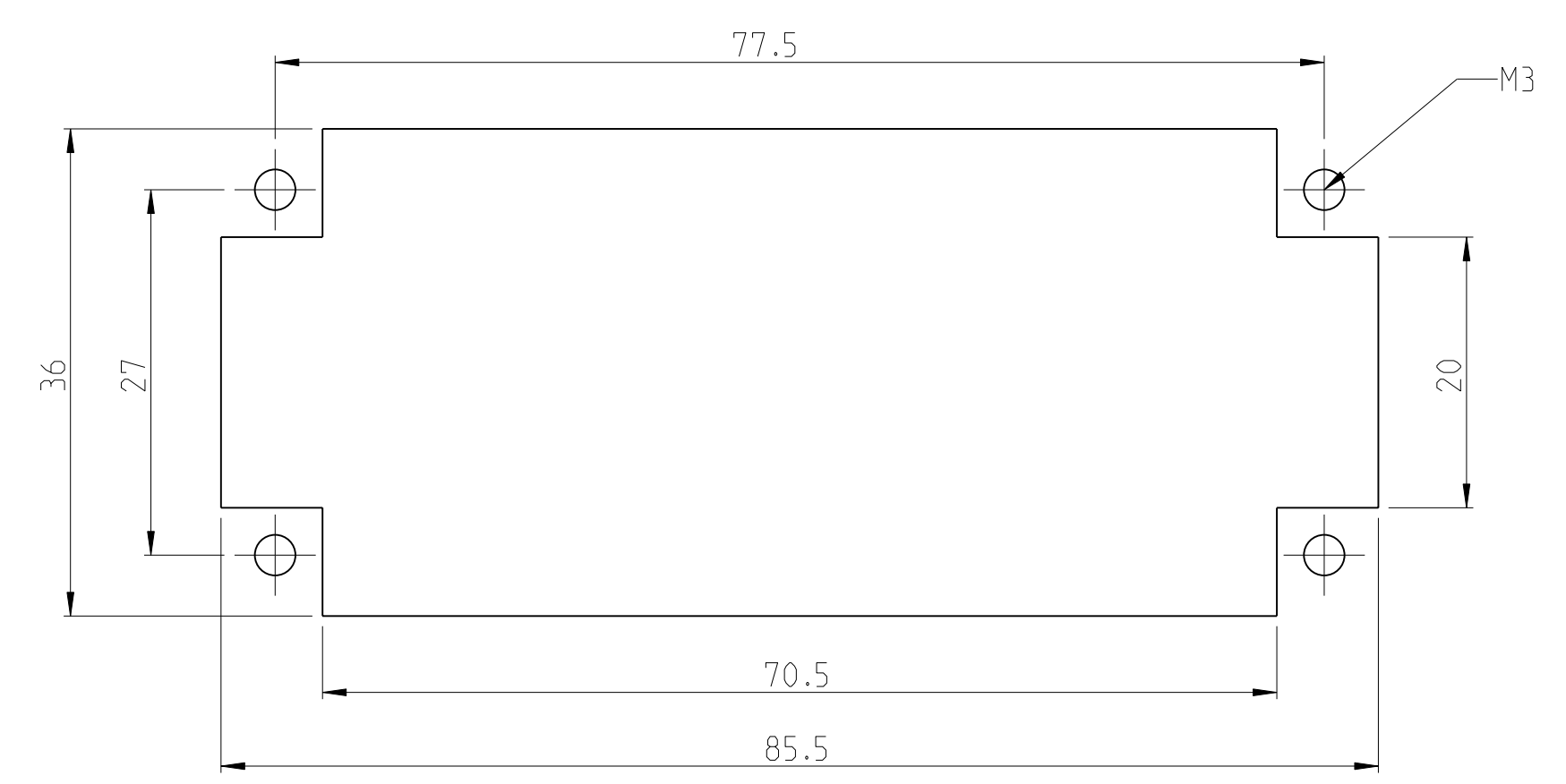


- NOTES
- COVER CONTACT : 1 TO 8
OUTER DIMENSIONS OF INSULATION: MAX. Ø4.9MM
 - SIGNAL CONTACT: 11 AND 32
OUTER DIMENSIONS OF INSULATION: MAX. Ø3.8MM
 - SUITABLE HOOD SIZE 6
SERIES HB, HD, EMV, AND HIP
 - STANDARDS:
DIN EN 61984; DIN EN 60664-1
 - PACKAGING:
10 PIECES IN A CARTON BOX

CONTACT ARRANGEMENT VIEW FROM CONNECTING SIDE



PANEL CUT-OUT FOR CONTACT INSERT WHEN USED WITHOUT HOUSING



QTY	DESCRIPTION	MATERIAL	SURFACE	ITEM
1	COVER	PBT-GF15		4
1	FEMALE INSERT	PBT-GF30		3
1	PROTECTION ANGLE CONTACT SOCKET WITH MOUNTING		ZINK PLATED	2
1	PROTECTION ANGLE CONTACT SOCKET		ZINK PLATED	1
0-1	HMX.8/24.Sti.C			

THIS DRAWING IS A CONTROLLED DOCUMENT. DWG: R.SCHNEIDER 08FEB2010, CHG: T.SCHNURPEL 08FEB2010, APPV: T.SCHNURPEL

STE TE Connectivity

PRODUCT SPEC: MALE INSERT ASSY HMX.8/24.ST1.C

APPLICATION SPEC: -

SIZE: A1, CAGE CODE: 00779, DRAWING NO: C=1103089

SCALE: 5:1, SHEET: 1 OF 1, REV: C1