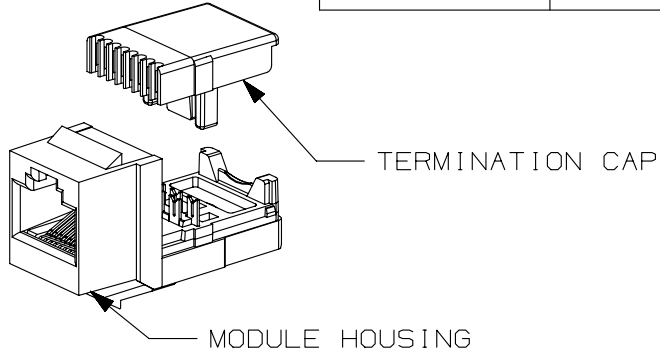


THIS COPY IS PROVIDED ON A RESTRICTED BASIS AND IS NOT TO BE USED IN ANY WAY DETRIMENTAL TO THE INTERESTS OF PANDUIT CORP.

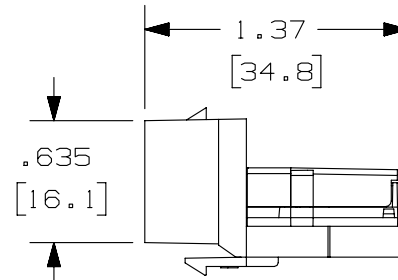
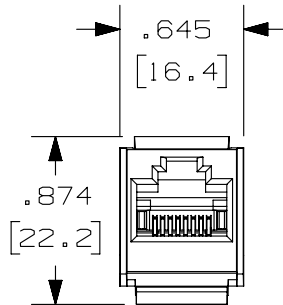
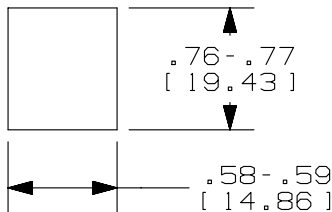
PANDUIT PART NO.	DESCRIPTION	WEIGHT
NK588M**Y	8 POSITION, 8 WIRE CATEGORY 5 UNIVERSAL (A/B) MODULAR JACK. TERMINATION CAP IS COLOR CODED FOR T568 WIRING SCHEMES.	.66 LB/50 PCS [ 300 g/50 PCS ]
NK5E88M**Y	8 POSITION, 8 WIRE CATEGORY 5E UNIVERSAL (A/B) MODULAR JACK. TERMINATION CAP IS COLOR CODED FOR T568 WIRING SCHEMES.	



NOTES:

- SEE CURRENT NETKEY CATALOG FOR ADDITIONAL PART NUMBER SUFFIXES TO INDICATE COLOR AND OR PACKAGE QUANTITY.
- MATERIAL:  
MODULE HOUSING: ABS  
NOMINAL WALL THICKNESS: .078(2.0)  
TERMINATION CAP: POLYCARBONATE.
- ALL 8 POSITION, 8 WIRE CONNECTOR MODULES WILL ACCEPT THREE OR FOUR PAIR MODULAR PLUGS WITHOUT DAMAGE.
- DIMENSIONS IN BRACKETS ARE IN METRIC.

PANEL OPENING REQUIREMENTS  
PANEL THICKNESS: (.048" - .058")



ACTUAL SIZE

PART NUMBER <b>NK5*****Y</b>	
TITLE <b>NETKEY TWISTED PAIR CONNECTOR MODULE</b>	
CUSTOMER DRAWING	
ITEM REVISION NAME <b>M02479NK/01</b>	<b>PANDUIT</b>
DATASET FILE NAME <b>M02479NK_DC350/00B</b>	
UNLESS OTHERWISE SPECIFIED, DIMENSIONAL TOLERANCES ARE: IN [ mm ]	
.x ± .xx ± .03 [ .8 ]	.xxx ± .010 [ .3 ] ANGLES ±
THIRD ANGLE PROJECTION	
DRAWING NUMBER: <b>02479-350</b>	
DRAWN BY <b>WJC</b>	DATE <b>3-25-06</b>
CHK <b>RMD</b>	SCALE <b>FULL</b>
SHT 1 OF 1	
SIZE <b>A</b>	

REV	DATE	BY	CHK	APR	DESCRIPTION	ECN
1	5-12-14	MDJR	REFR	JCK	A. UPDATED TITLE BLOCK.	02479-350
R	3-25-06	NER	WJC	RMD	RELEASED TO PRODUCTION	02479-350

D10100DA/14