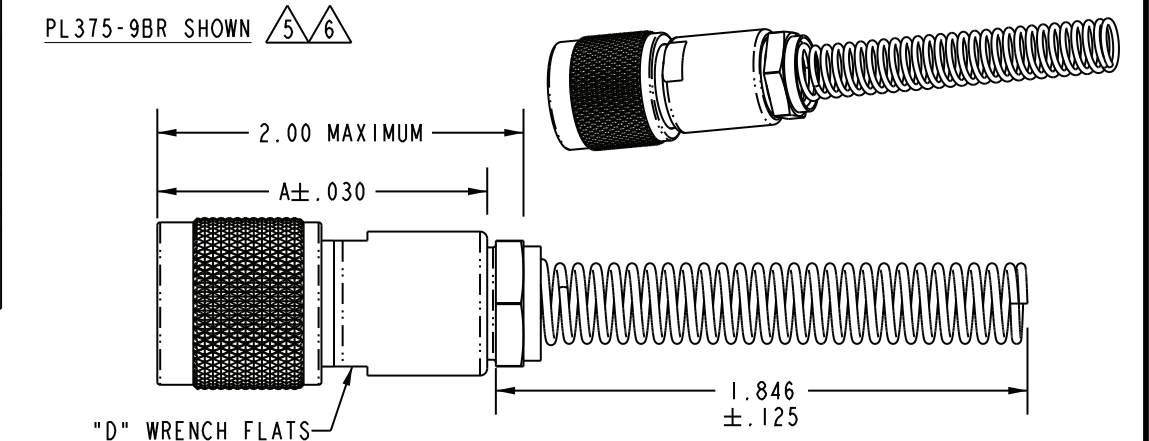
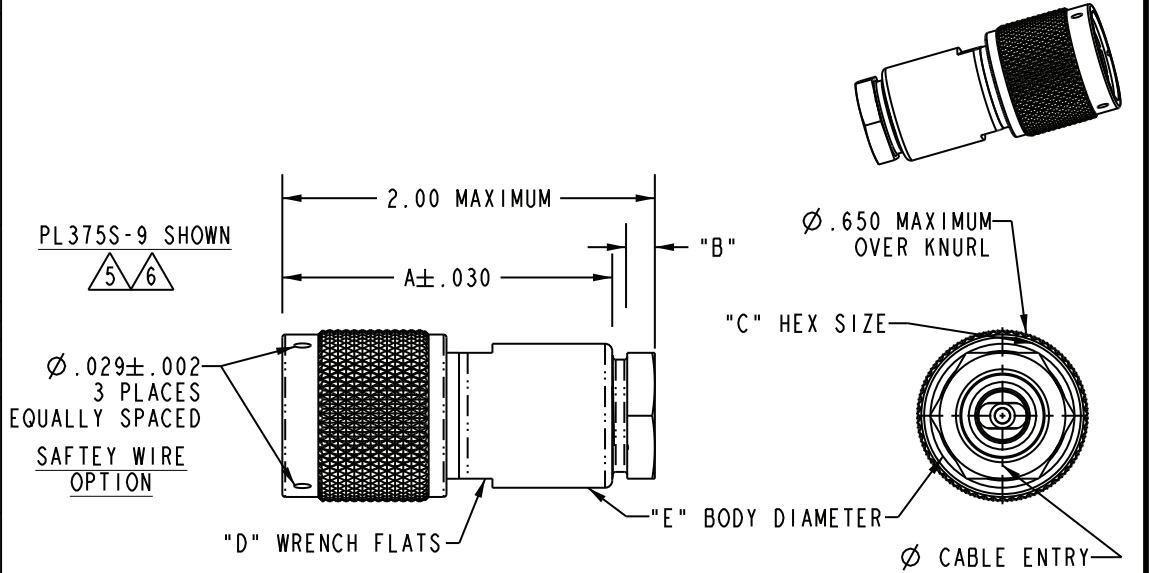
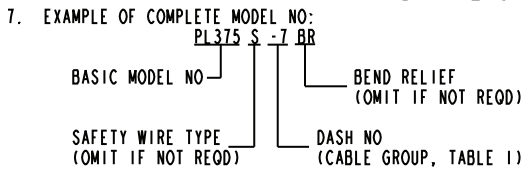


| DASH NO | CABLES ACCOMMODATED  | TABLE 1 |       |         |         |       | CABLE ENTRY DIA | ASSEMBLE PER | CABLE TYPE |
|---------|--|---------|-------|---------|---------|-------|-----------------|--------------|------------|
|         |  | A DIM   | B DIM | C FLATS | D FLATS | E DIA |                 |              |            |
| -7      | TRC-50-2<br>TRC-75-2   | 1.165   | .096  | .438    | .438    | .500  | .274            | TAI-189      | TRIAx      |
| -8      | 8227, BELDEN   | 1.740   | .130  | .625    | .688    | .750  | .345            | TAI-103      | TWINAX     |
| -9      | TWC-78-2<br>TWC-124-2  | 1.165   | .096  | .438    | .438    | .500  | .285            | TAI-102      |            |
| -9A     | BL782, TIMES<br>BL982, TIMES<br>BL1242, TIMES                    |         | 3     | 3       |         |       |                 |              |            |
| -10     | RG-22<br>754E, AT&T  |         | 1.740 | .130    |         |       |                 |              |            |
| -11     | 760A, AT&T   |         |       |         |         |       |                 |              |            |
| -12     | 16PEVL, AT&T<br>VI-AL, GENERAL                                   | 1.740   | .130  | .625    | .688    | .750  | .485            | TAI-128      |            |
| -13     | TRF-59, TIMES  |         |       |         |         |       |                 |              |            |
| -13A    | 8232, BELDEN   |         |       |         |         |       |                 |              |            |
| -14     | 8233, BELDEN   |         |       |         |         |       |                 |              |            |
| -23     | 250-3884, MICRODOT   | 1.165   | .096  | .438    | .438    | .500  | .183            | TAI-189      |            |
| -24     | 202-3934, MICRODOT   |         |       |         |         |       |                 |              |            |
| -24A    | 9530A5117, RAYCHEM   |         |       |         |         |       |                 |              |            |
| -25     | T-43M, GENERAL   |         |       |         |         |       |                 |              |            |
| -25A    | 5021H5331, RAYCHEM   |         |       |         |         |       |                 |              |            |
| -26     | 7028A5518, RAYCHEM   |         |       |         |         |       |                 |              |            |
| -27     | 1191PSJ2619EN, WOVEN<br>202-3927, MICRODOT<br>202-3942, MICRODOT |         |       |         |         |       |                 |              |            |
| -29     | TWC-78-1/TWC-124-1A  |         |       |         |         |       |                 |              |            |
| -30     | 761A, AT&T<br>8441, BELDEN                                       |         |       |         |         |       |                 |              |            |
| -32     | TRC-50-1   |         |       |         |         |       |                 |              |            |
| -33     | TRC-75-1   |         |       |         |         |       |                 |              |            |
| -42     | 21-204, ESSEX<br>4463, CONSOLIDATED                              | 1.740   | .130  | .625    | .688    | .750  | .300            | TAI-189      | TRIAx      |
| -43     | 250-4044/250-4045<br>293-3930, MICRODOT                          |         |       |         |         |       |                 |              |            |
| -45     | M27500-22TE2114<br>1100-66F, STANDARD                            |         |       |         |         |       |                 |              |            |
| -46     | 9860, BELDEN   | 1.165   | .096  | .438    | .438    | .500  | .475            | TAI-103      | TWINAX     |
| -47     | M177176-00002  |         |       |         |         |       |                 |              |            |
| -49     | TWAC-78-1F2  |         |       |         |         |       |                 |              |            |
| -54     | 89207, BELDEN  |         |       |         |         |       |                 |              |            |
| -55     | 89272, BELDEN  | 1.740   | .130  | .625    | .688    | .750  | .250            | TAI-102      | TWINAX     |
| -56     | GC875GCI, GRUMMAN  |         |       |         |         |       |                 |              |            |
| -57     | GC875GB1, GRUMMAN  |         |       |         |         |       |                 |              |            |
| -58     | GC875TM24H, GRUMMAN  |         |       |         |         |       |                 |              |            |
| -59     | GC875LNI, GRUMMAN  |         |       |         |         |       |                 |              |            |
| -60     | M177177, THERMATICS  |         |       |         |         |       |                 |              |            |
| -64     | 380-10045, BOEING<br>7528A5314, RAYCHEM                          |         |       |         |         |       |                 |              |            |

| REV |           | DESCRIPTIONS | DATE    | APPROVED |
|-----|-----------|--------------|---------|----------|
| AD  | ECO 52460 |              | 6/18/10 | CSM      |



- 6 IF SAFETY WIRE TYPE & BEND RELIEF SPRING RECD ADD SUFFIX "SBR" TO MODEL NO (NOT AVAILABLE WITH CABLE GROUPS -8, -10, -11, -12, -13, -13A, -14, -46, & -54)
  - 5 IF BEND RELIEF SPRING RECD (SEE FIG 2) ADD SUFFIX "BR" TO MODEL NO (NOT AVAILABLE WITH CABLE GROUPS -8, -10, -11, -12, -13, -13A, -14, -46, & -54)
  - 4 IF SAFETY WIRE TYPE RECD ADD SUFFIX "S" TO MODEL NO (PL375S)
  - 3 CLAMP NUT OMITTED
  - 2 CONCENTRIC TWINAX/TRIAx TRT CABLE PLUG
  - 1 FINISH: TFS-1A (NICKEL)
- NOTES: UNLESS OTHERWISE SPECIFIED.



|  |          |   |                  |   |             |
|--|----------|---|------------------|---|-------------|
| INTERPRET DRAWING PER MIL-STD-100. DIMENSIONS ARE IN INCHES AND INCLUDE FINISH THICKNESS UNLESS OTHERWISE SPECIFIED. |          | TOL: UNLESS SPECIFIED.<br>.XX ± .02<br>.XXX ± .010<br>.XXXX ± .0010<br>ANGLE ± 1° 00'<br>CRITICAL |                  | <br>Cinch Connectivity Solutions<br>299 Johnson Ave. Ste. 100<br>Waseca, MN 56093<br>1-800-247-8256 |             |
| DRW  | BPK      | 7/29/11   |                  | TITLE:  |             |
| CHK  | CSM      | 8/1/11  |                  | PL375 / PL375S<br>PL375BR / PL375SBR  |             |
| QUALITY  |          |   | FINISH:          |   |             |
| MANUF  |          |   |                  |   | SIZE        |
| APPROVED   |          |   |                  |   | CAGE CODE   |
| PROF TITLE NO.   | 315-0011 |   | DO NOT SCALE DWG |   | DRAWING NO. |
| SURFACE AREA   |          |   |                  | SCALE   |             |
|  |          |   |                  | 14949   |             |
|  |          |   |                  | DATE  |             |
|  |          |   |                  | 5/23/73   |             |
|  |          |   |                  | SHEET   |             |
|  |          |   |                  | 1 OF 2  |             |