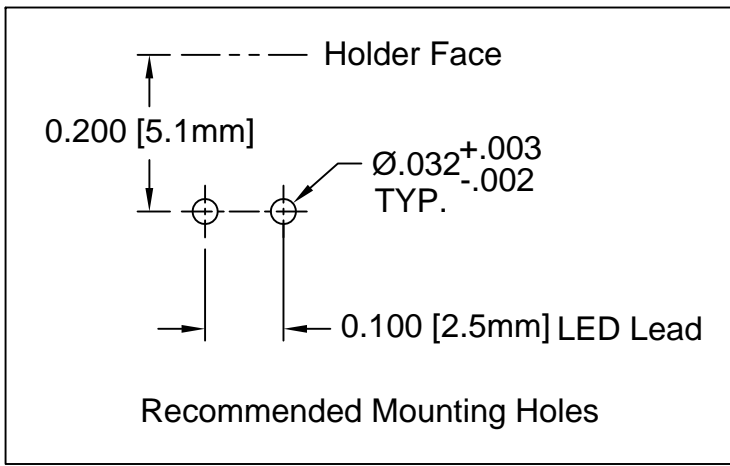
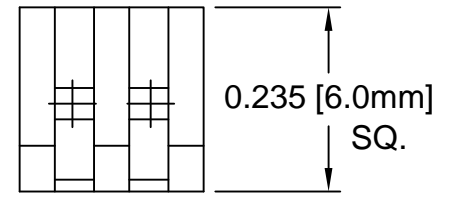
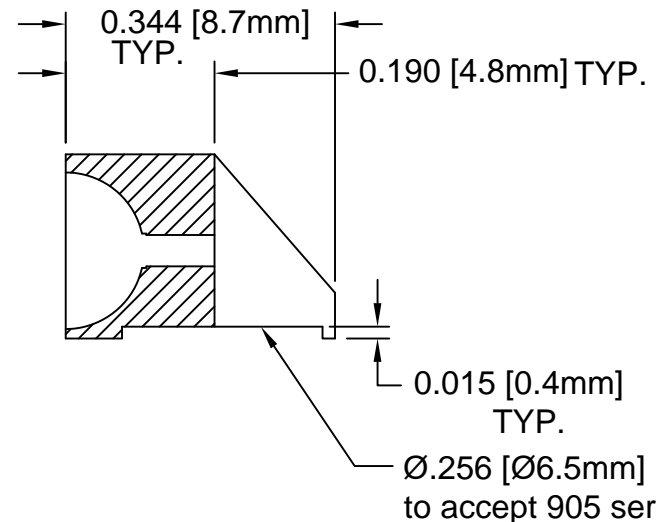
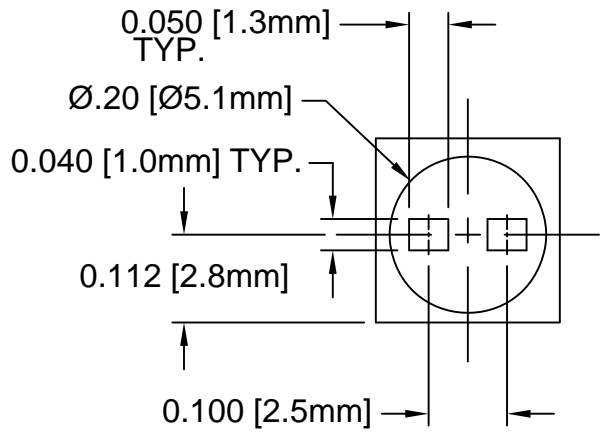


REV.	DESCRIPTION	DATE	APPROVED
B	Engineering Update w/o Changes	02/23/04	M. C.
C	Tolerance Update	03/13/06	M. C.
D	Title Description Update	08/03/09	T. Y.
E	Removed Part From Part Offering List	09/28/15	J. C.
F	Removed Material Code	05/28/16	J. C.

909-235 XX



HOLDER	MATERIAL
909-235 NT	A
909-235 BK	B

3. MATERIAL B: NYLON 6/6, 94V-2, BLACK.
2. MATERIAL A: NYLON 6/6, 94V-2, NATURAL.
1. GENERAL SPECIFICATIONS: BIVAR MOLDED COMPONENT SPECIFICATION BV00-E101.

STANDARD TOLERANCE (UNLESS OTHERWISE SPECIFIED)		BIVAR [®] 4 THOMAS, IRVINE, CA. 92618 TEL: (949) 951-8808 FAX: (949) 951-3974	
DECIMALS	ANGULAR		
.X ±.1	X° ± 1°	TITLE: SINGLE T1 3/4(5mm) LED HOLDER	
.XX ±.01			
.XXX ±.005		PART NO: 909-235X XX REVISION: F	
DESIGNED: D. Green	DATE: 04/24/03		
CHECKED: M. Chen	DATE: 04/24/03	CAGE CODE : 32559 SHEET # 1 OF 1	
CAD GENERATED DOCUMENT, DO NOT MEASURE DRAWING.			