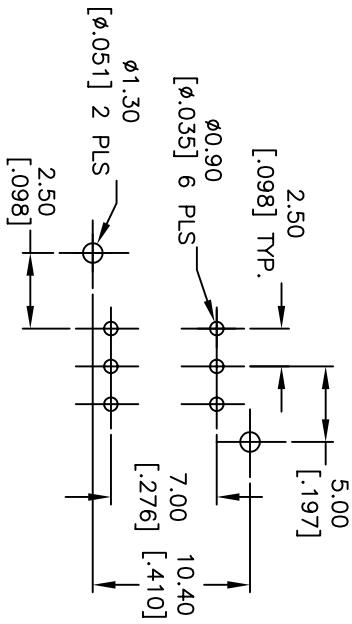
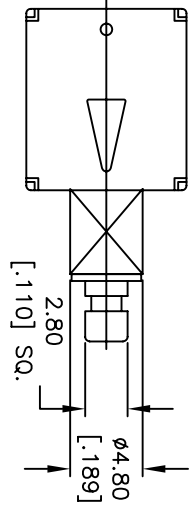
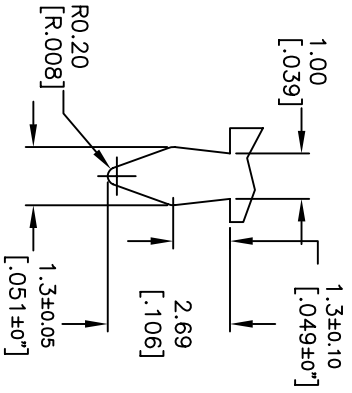


CIRCUIT: DPDT

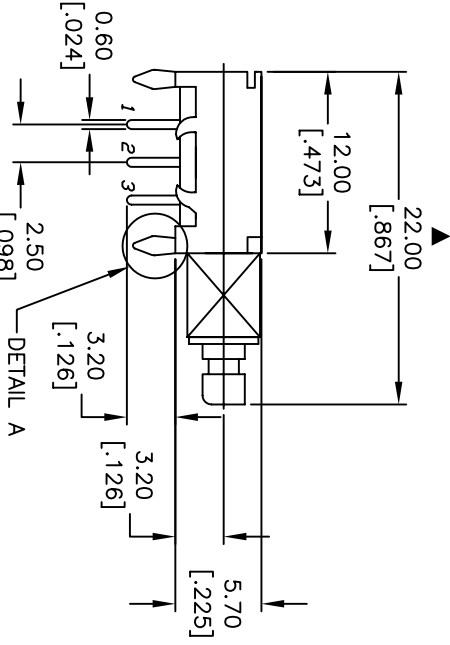
CONTACT CONFIGURATION



RECOMMEND P.C.B. HOLES

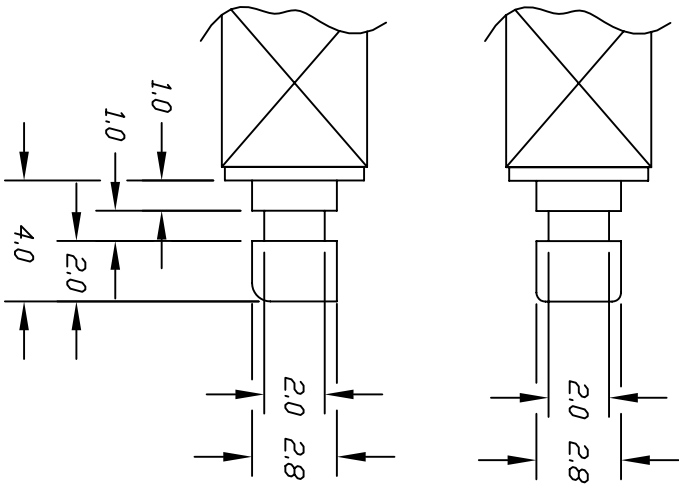
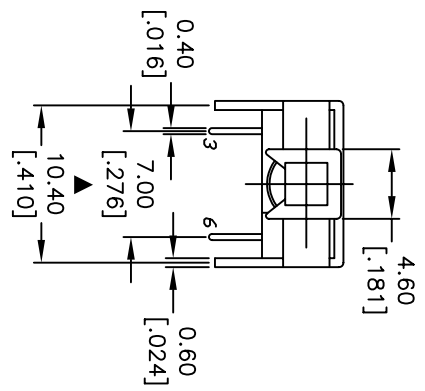


DETAIL-A - (6:1)



NOTES:

1. ALL DIMENSIONS IN MM [INCH]
2. GENERAL TOLERANCE: X.X=±0.4 X.XX=±0.25
3. TERM. NOS. FOR REFERENCE ONLY.
4. RATING: 0.3A @30VDC
5. OPERATING FORCE: 330±100GF
6. TIMING: SHORTING
7. ▲ DENOTES CRITICAL PARAMETER.
8. 2002/95/EC (ROHS) COMPLIANT.



ACTUATOR DETAIL SCALE 4:1

B	16210	UPDATE DIMENSIONS	7/6/06	MRM
A	14730	RELEASED FOR PRODUCTION	3/3/05	AR
REV.	ECN No.	DESCRIPTION	DATE	CHKD

TITLE		DATE		DR	DWG	REV
LC2251EESP		3/3/05		AR	P070001	B
SCALE		DATE		DR	DWG	REV
2:1		3/3/05		AR	P070001	B



THE INFORMATION CONTAINED IN THIS DOCUMENT IS PROPRIETARY TO E-SWITCH AND IS NOT TO BE COPIED OR TRANSFERRED