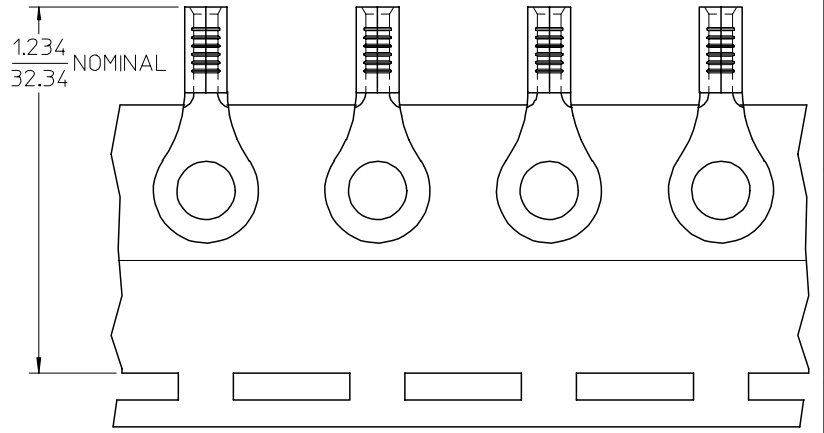
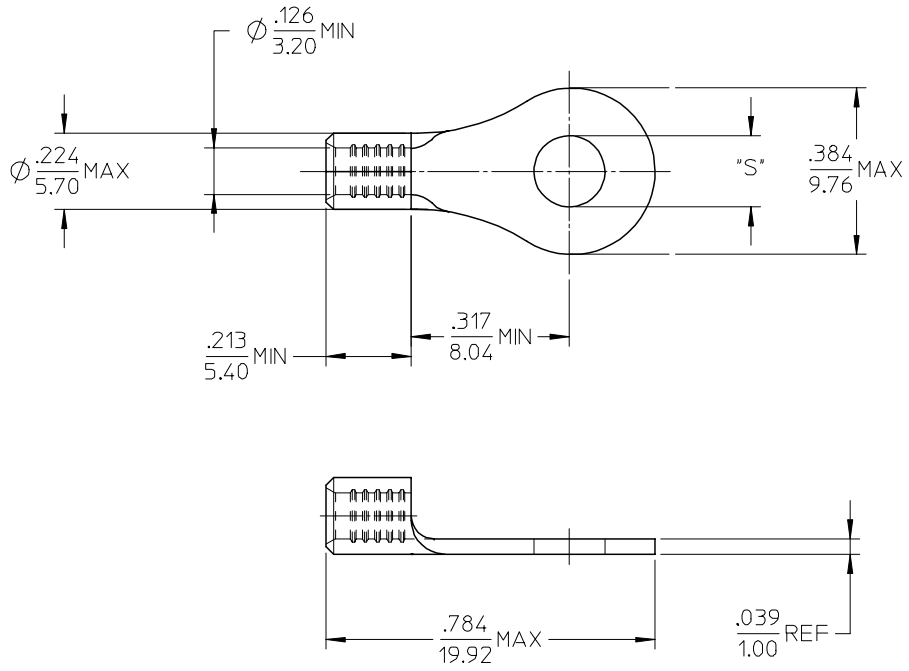


MATERIAL NO.	ENG. NO.	STUD SIZE	"S" MAX	DESCRIPTION
192030494	C-S-128-08	8	.172/4.37	LOOSE
192030278	C-S-128-08T	8	.172/4.37	TAPE



PARTS ON TAPE

NOTE(S):

- MATERIAL: STEEL
- WIRE SIZE: 12-10 AWG (4.0-6.0 MM<sup>2</sup>)
- FINISH: NICKEL PLATING
- PART IS ROHS COMPLIANT.
- (B) AMBIENT OPERATING TEMPERATURE UP TO 900 °F (483 °C).

ADDED OPERATING TEMP EC NO: ETC2007-0297 DRW: DRWNEHLE 2007/03/13 CHKD: JMACNEIL 2007/03/13 APPR: JMACNEIL 2007/03/14	QUALITY SYMBOLS ▽=0 ▽=0	GENERAL TOLERANCES (UNLESS SPECIFIED)		DIMENSION STYLE IN/MM		SCALE 4:1	DESIGN UNITS INCH	THIRD ANGLE PROJECTION	
			mm	INCH	DRAWN BY EHILE	DATE 2006/09/22	TITLE RING TONGUE TERMINAL, 12-10 AWG, KRIMP TITE, 900 DEG F (483 DEG C)		
			4 PLACES ±---	±---	CHECKED BY JMACNEIL	DATE 2006/09/22			
			3 PLACES ±---	±---	APPROVED BY JMACNEIL	DATE 2006/09/22			
	2 PLACES ±---	±---	MATERIAL NO. SEE CHART		DOCUMENT NO. SD-19203-032		SHEET NO. 1 OF 1		
	1 PLACE ±---	±---	DRAFT WHERE APPLICABLE MUST REMAIN WITHIN DIMENSIONS		THIS DRAWING CONTAINS INFORMATION THAT IS PROPRIETARY TO MOLEX INCORPORATED AND SHOULD NOT BE USED WITHOUT WRITTEN PERMISSION				