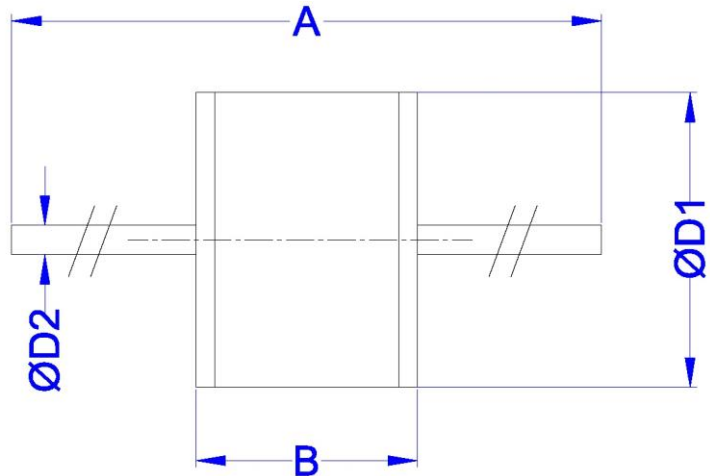
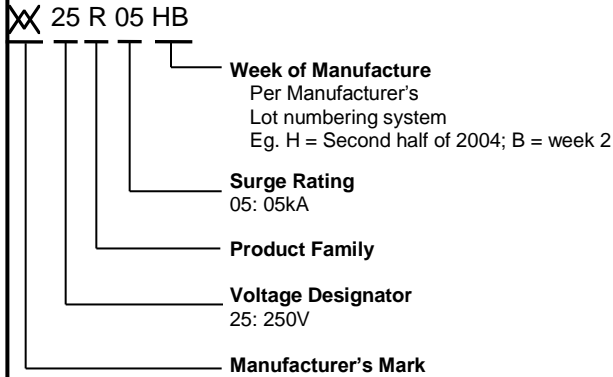


**Specification Status: Released**

**Marking:**



**TABLE 1. DIMENSIONS:**

	A		B		ØD1		ØD2
	MIN	MAX	MIN	MAX	MIN	MAX	NOM
mm:	60.0	64.0	4.0	4.4	5.8	6.2	0.8
in*:	(2.36)	(2.52)	(0.16)	(0.17)	(0.23)	(0.24)	(0.03)

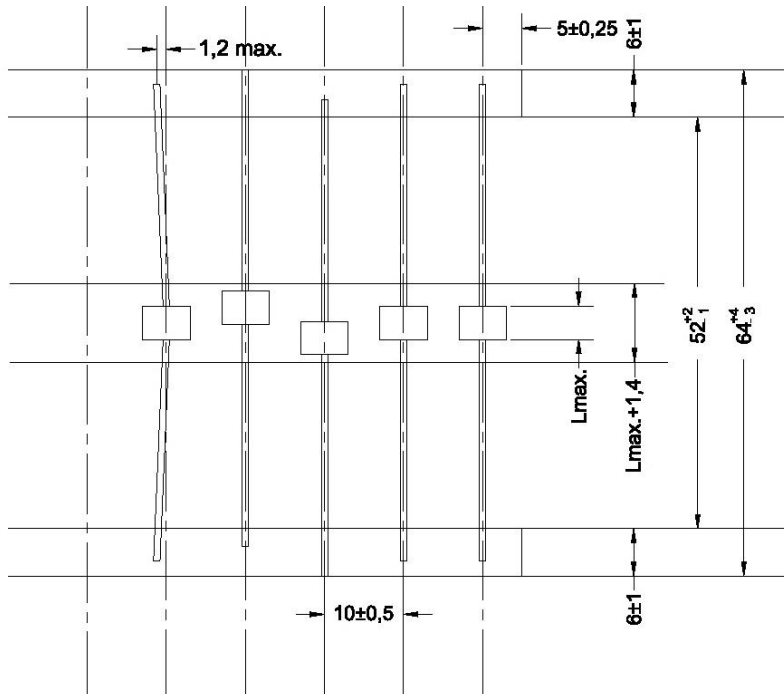
\*Rounded off approximation

**TABLE 2. ELECTRICAL CHARACTERISTICS:**

DC Sparkover Voltage*	Impulse Sparkover Voltage	Impulse Sparkover Voltage	Insulation Resistance	Capacitance	Impulse Discharge Current 8/20µs	AC Discharge Current, 50 Hz	
						Multiple Hits (1s duration: 10 Hits)	Single hit, 9 cycles
@ 100V/s	@100V/µs	@1000V/µs	@100Vdc	@ 1MHz	10 hits(5 hits for each polarity)	1A	5A
250V ± 20%	≤600V	≤700V	≥10,000Mohms	<1.0pF	5kA	1A	5A

\*In ionized mode  
Testing methods and specifications referring to ITU-T K.12

### TAPING INFORMATION: [Unit: mm]



### General Characteristics

No Radioactive Materials  
 Storage temperature: -40°C ... +90°C  
 Operating temperature: -40°C ... +90°C  
 Electrode Material: Ni Plating  
 Lead Material: Sn Plating

Agency Recognitions: N/A  
 Precedence: This specification takes precedence over documents referenced herein  
 Effectivity: Reference documents shall be the issue in effect on the date of invitation for bid  
 CAUTION: Operation beyond the rated voltage or current may result in rupture, electrical arcing or flame

### Materials Information

**ROHS Compliant**

Directive 2002/95/EC  
 Compliant

**ELV Compliant**

Directive 2000/53/EC  
 Compliant

**Pb-Free**



## Gas Discharge Tube

Over-Voltage Protection Device

**PRODUCT: GTCA26-251M-R05-2**

DOCUMENT : SCD28806  
REV LETTER: A  
REV DATE: JULY 26, 2016  
PAGE NO.: 3 of 3

Littelfuse products are not designed for, and shall not be used for, any purpose (including, without limitation, automotive, military, aerospace, medical, life-saving, life-sustaining or nuclear facility applications, devices intended for surgical implant into the body, or any other application in which the failure or lack of desired operation of the product may result in personal injury, death, or property damage) other than those expressly set forth in applicable Littelfuse product documentation. Warranties granted by Littelfuse shall be deemed void for products used for any purpose not expressly set forth in applicable Littelfuse documentation. Littelfuse shall not be liable for any claims or damages arising out of products used in applications not expressly intended by Littelfuse as set forth in applicable Littelfuse documentation. The sale and use of Littelfuse products is subject to Littelfuse Terms and Conditions of Sale, unless otherwise agreed by Littelfuse