

LOC	DIST	REVISIONS					
		P	LTR	DESCRIPTION	DATE	DWN	APVD
AI	-		A	NEW DRAWING	26SEP2011	GP	GM

SEE CUSTOMER DRAWING 2141999
Siehe Kundenzzeichnung 2141999

2011


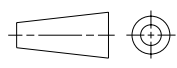
RELEASED FOR PUBLICATION

ALL RIGHTS RESERVED.

Tyco Electronics AMP GmbH

© COPYRIGHT 2011

THIS DRAWING IS UNPUBLISHED.

DIMENSIONS: mm		DWN G.PUCKEL	26SEP2011	MATERIAL	-	FINISH	-	
TOLERANCES UNLESS OTHERWISE SPECIFIED:		CHK K.ROTH	26SEP2011	 TE Connectivity				
		APVD -	-					
0 PLC ±		PRODUCT SPEC		NAME 10POS. HYBRID RECEPTACLE HOUSING ASSEMBLY				
1 PLC ±		-						
2 PLC ±		APPLICATION SPEC		SIZE	CAGE CODE	DRAWING NO	RESTRICTED TO	
3 PLC ±		-		A 4	00779	C-2177000	-	
4 PLC ±		WEIGHT						
ANGLES ±		-						
		CUSTOMER DRAWING			SCALE	-	SHEET 1 OF 1	REV A