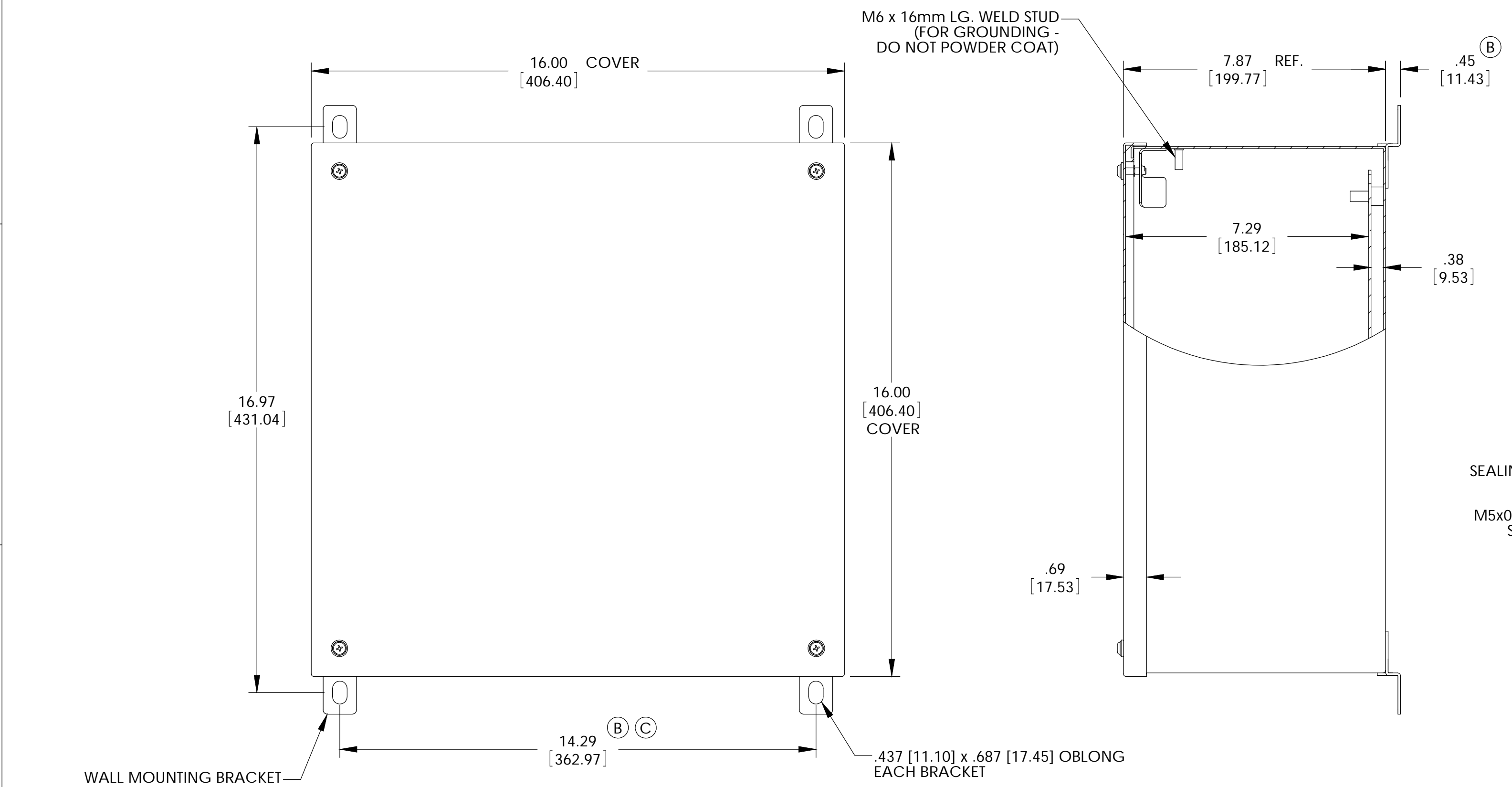


THE INFORMATION CONTAINED IN THIS DRAWING IS THE SOLE PROPERTY OF BUD INDUSTRIES INC. ANY REPRODUCTION IN PART OR WHOLE WITHOUT THE WRITTEN PERMISSION OF BUD INDUSTRIES INC. IS PROHIBITED.

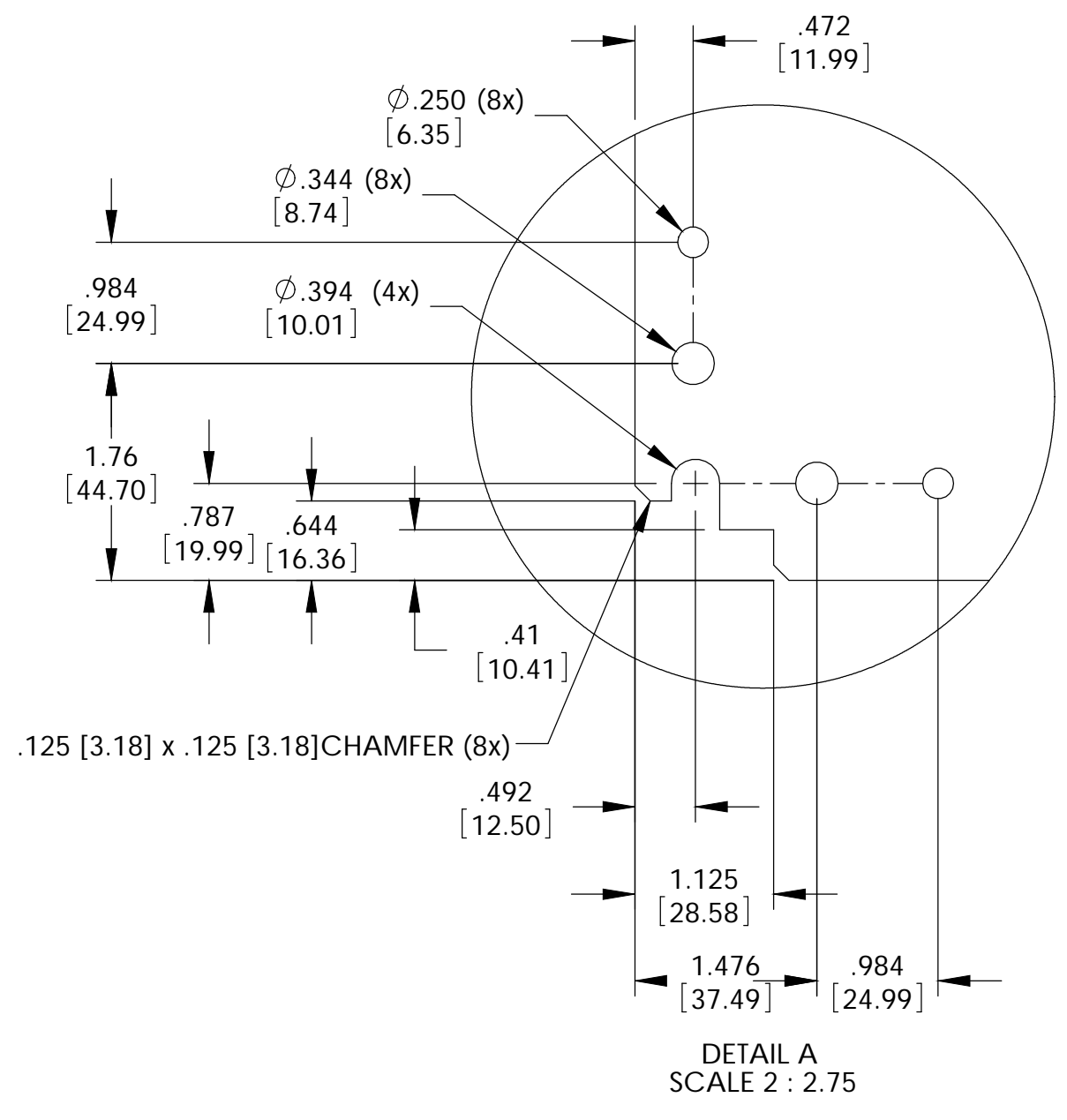
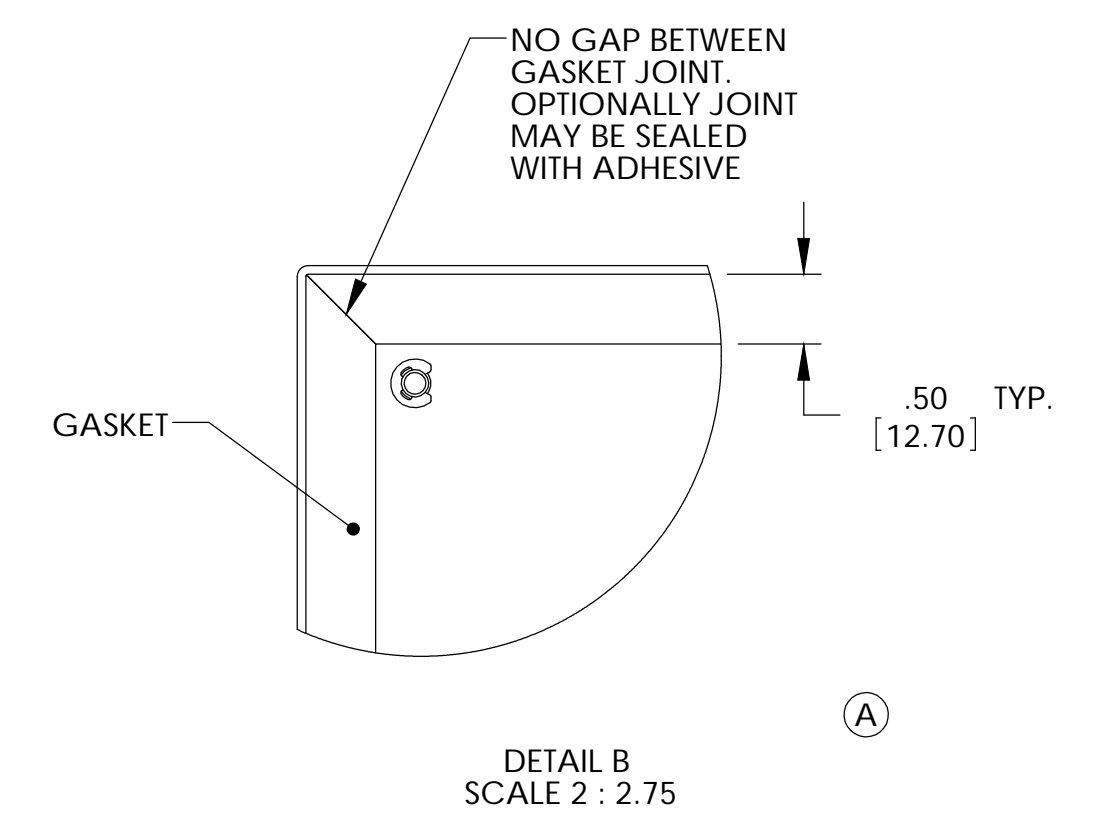
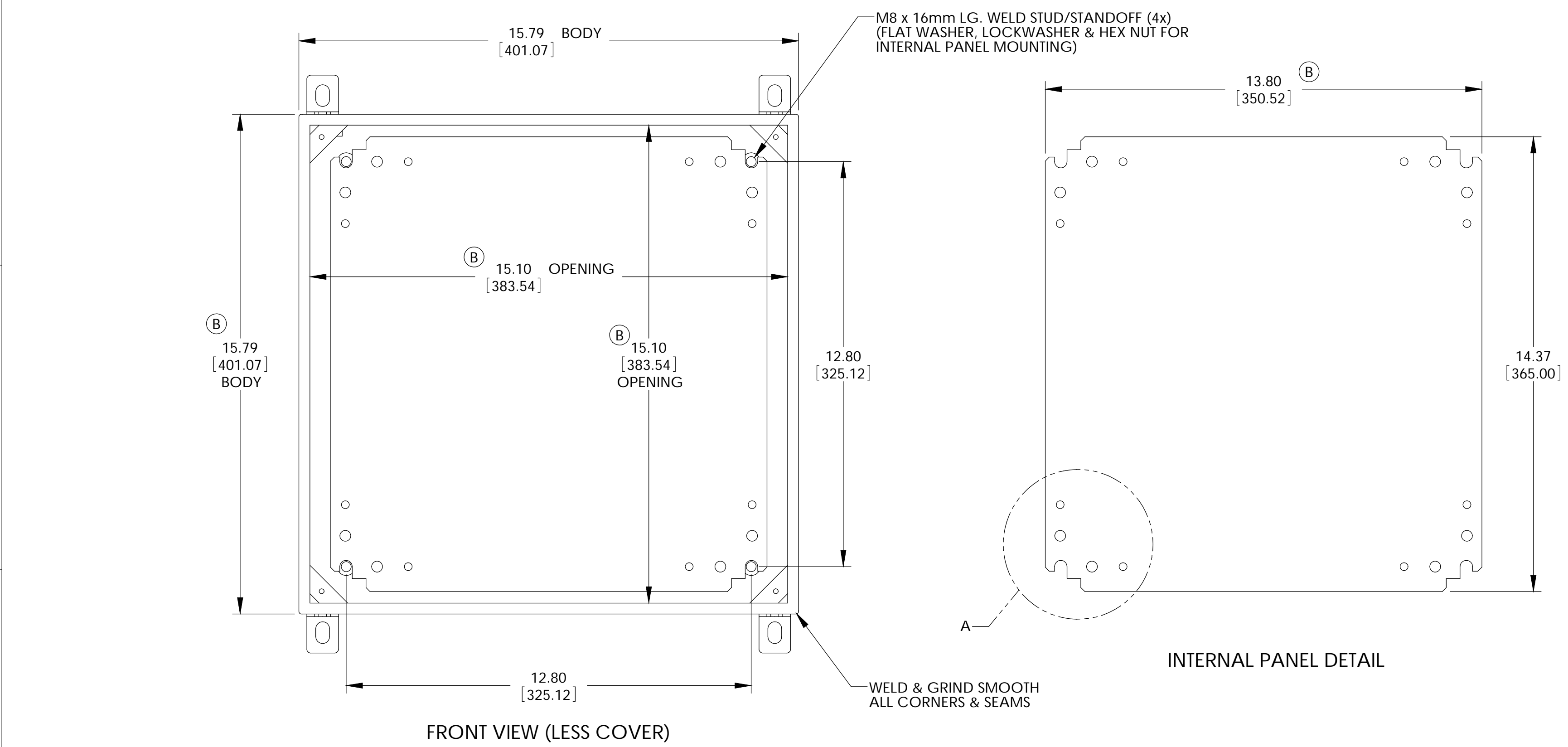
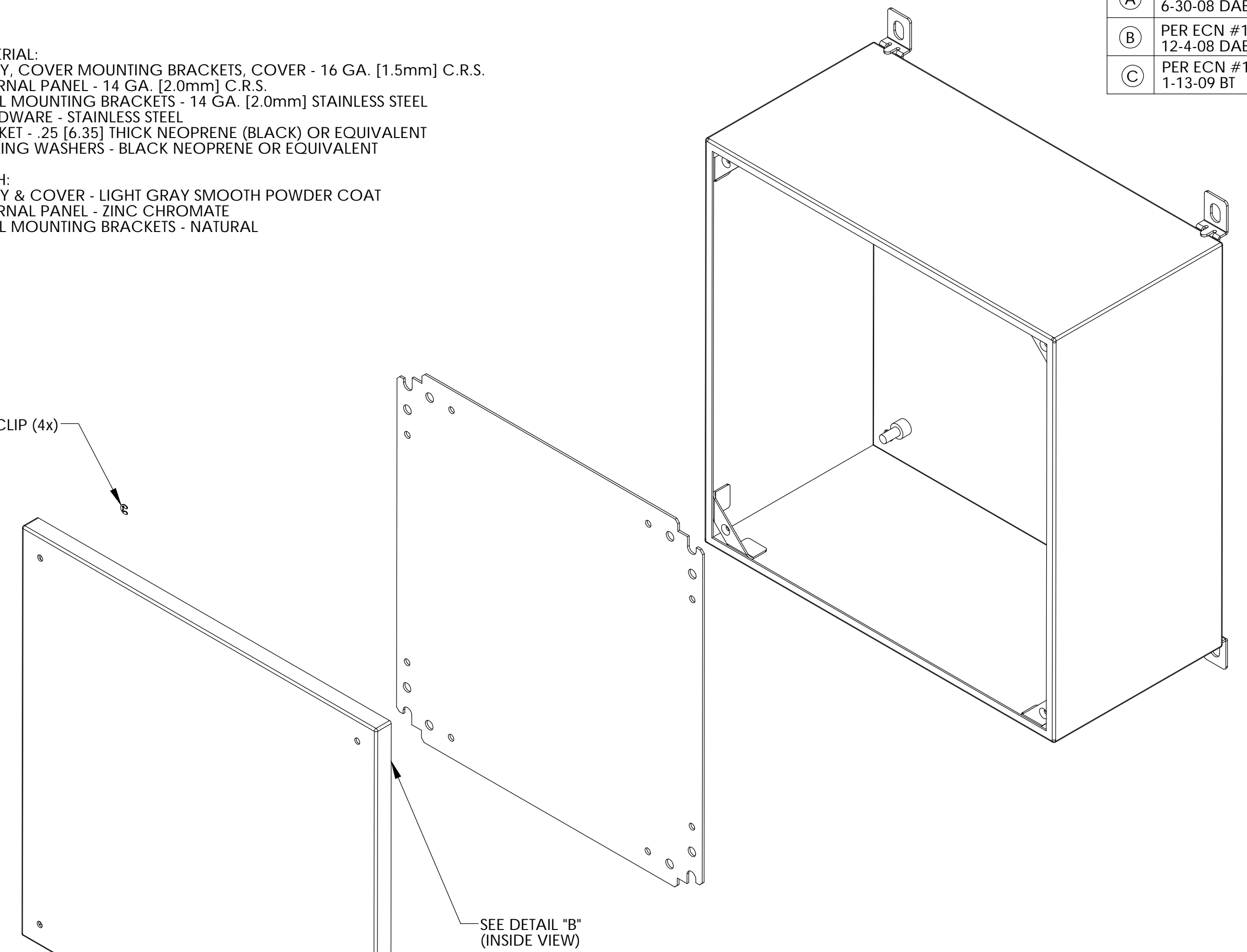
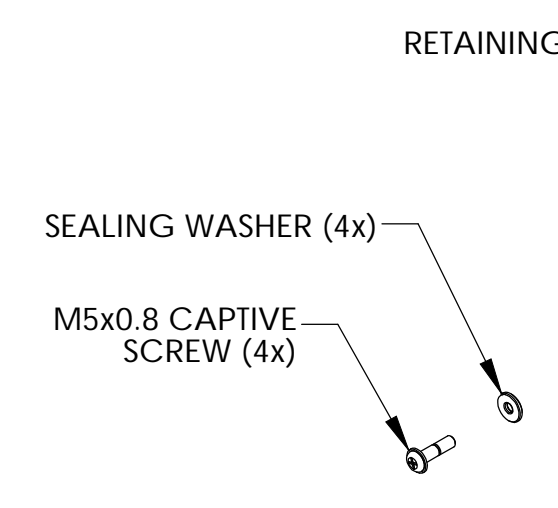
DWG. NO. SNC-3757	
ISSUE	REVISIONS
(A)	REVISED DESIGN 6-30-08 DAB
(B)	PER ECN #10404 12-4-08 DAB
(C)	PER ECN #10446 1-13-09 BT



MATERIAL:
 BODY, COVER MOUNTING BRACKETS, COVER - 16 GA. [1.5mm] C.R.S.
 INTERNAL PANEL - 14 GA. [2.0mm] C.R.S.
 WALL MOUNTING BRACKETS - 14 GA. [2.0mm] STAINLESS STEEL
 HARDWARE - STAINLESS STEEL
 GASKET - .25 [6.35] THICK NEOPRENE (BLACK) OR EQUIVALENT
 SEALING WASHERS - BLACK NEOPRENE OR EQUIVALENT

FINISH:
 BODY & COVER - LIGHT GRAY SMOOTH POWDER COAT
 INTERNAL PANEL - ZINC CHROMATE
 WALL MOUNTING BRACKETS - NATURAL

WALL MOUNTING BRACKET KIT TO CONTAIN THE FOLLOWING:
 (4) BRACKETS, (4) BOLTS, (4) SEALING WASHERS, (4) FLAT WASHERS, (4) LOCKWASHERS & (4) HEX NUTS



UNLESS OTHERWISE SPECIFIED ALL DIMENSIONS ARE IN INCHES (MILLIMETERS)		CAD GENERATED DRAWING DO NOT MANUALLY UPDATE		BUD INDUSTRIES INC.	
TOLERANCES:	DRAWING	APPROVALS	DATE	NEMA SHEET METAL BOX w/LIFT-OFF SCREW COVER	
MATERIAL:	AS NOTED	DAB	5-5-08		
FINISH:	AS NOTED	APPROVED		SIZE [DWG. NO.]	REV.
QTY.	USED ON	DO NOT SCALE DRAWING		D	SNC-3757
				SCALE [CAD FILE]	SHEET 1 OF 1

QTY.	USED ON	DO NOT SCALE DRAWING	SCALE [CAD FILE]	SHEET 1 OF 1
------	---------	----------------------	------------------	--------------