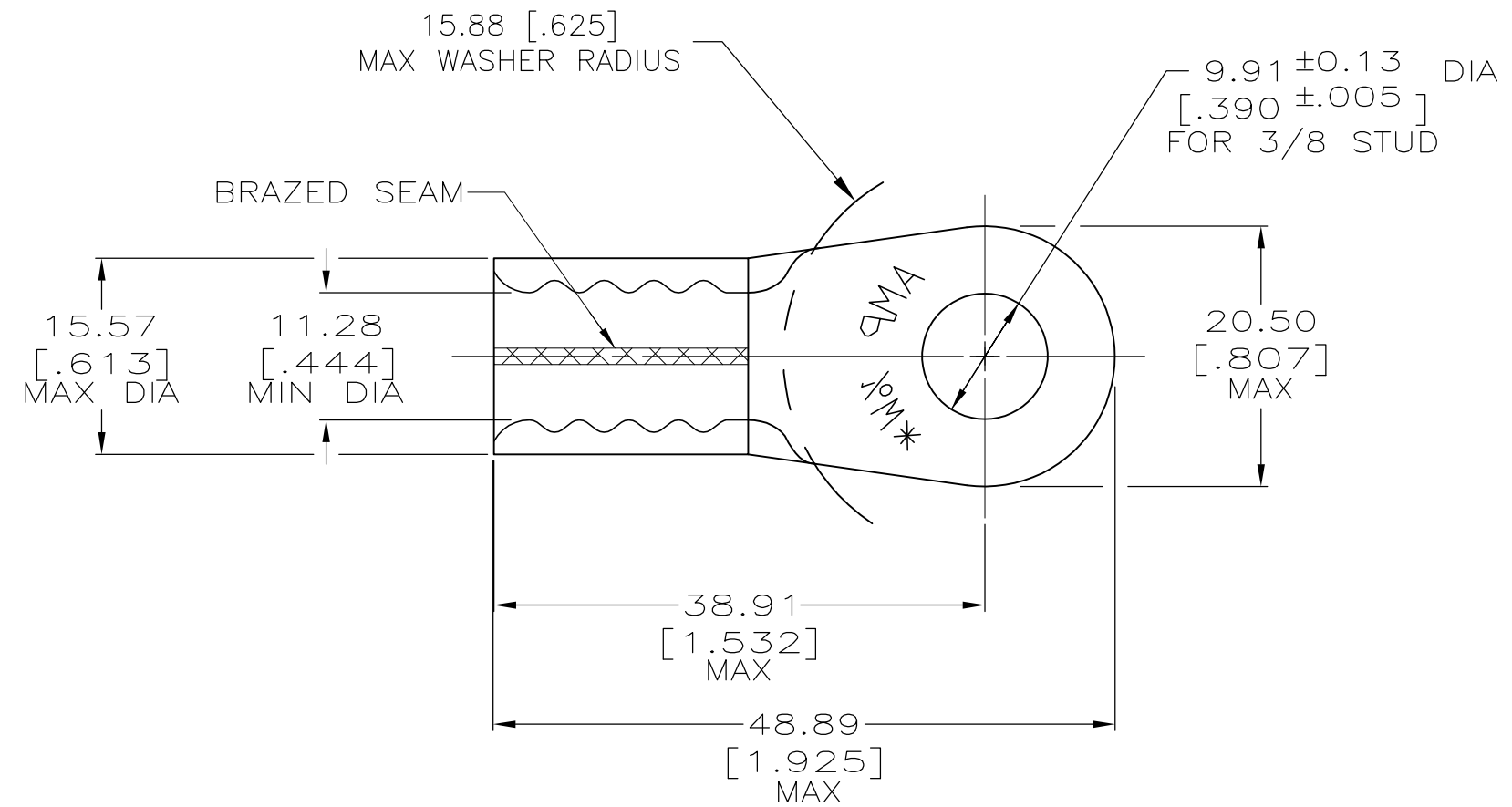


LOC	DIST	REVISIONS					
G	14	P	LTR	DESCRIPTION	DATE	DWN	APVD
		G2		REVISED PER ECO-11-005027	11MAR11	RK	HMR

AMP WIRE RANGE	E13288 Listed
1/0 AWG SOLID OR STRANDED	1/0 AWG STRANDED
LR7189 Certified	MILITARY P/N AND CLASS
1/0 AWG SOLID OR STRANDED	MS 20659-118 CLASS 2



- 1 TIN PL 0.00254[.000100] MIN THK PER ASTM B-545
- 2 PRELIMINARY - NOT FOR PRODUCTION NO APPROVALS AT THIS TIME

SILVER PLATE	COPPER ASTM B-152 1.78 ±0.08 [.070 ±.003] ANNEALED	2-321868-5
CLEANED		2-321868-2
1		321868
FINISH	MATERIAL	

MAX RECOMMENDED OPERATING TEMPERATURE: 170°C	THIS DRAWING IS A CONTROLLED DOCUMENT.		DWN DK SCHRUM 8/30/91	TE Connectivity				
	VOLTAGE RATING: N/A	DIMENSIONS: mm[INCHES]	CHK RD HEIM 9/30/91				NAME TERMINAL, RING TONGUE, SOLISTRAND WIRE SIZE 50.0mm ² [1/0] AWG	
CIRCULAR MIL AREA: 42.4-60.6mm ² [83,700-118,500]	MATERIAL SEE TABLE	TOLERANCES UNLESS OTHERWISE SPECIFIED: 0 PLC ± - 1 PLC ± - 2 PLC ± 0.20[.008] 3 PLC ± - 4 PLC ± - ANGLES ± -	APVD AJ KAUFMAN 9/30/91	PRODUCT SPEC				
			FINISH SEE TABLE	APPLICATION SPEC	SIZE A3	CAGE CODE 00779	DRAWING NO C-321868	RESTRICTED TO -
			WEIGHT -	CUSTOMER DRAWING		SCALE 2:1	SHEET 1 of 1	REV G2