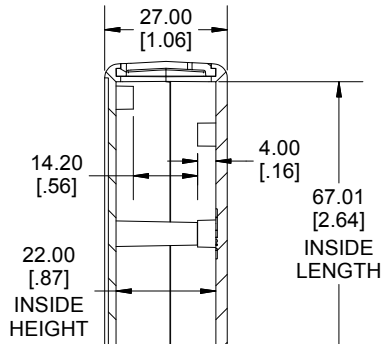
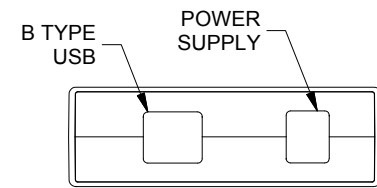


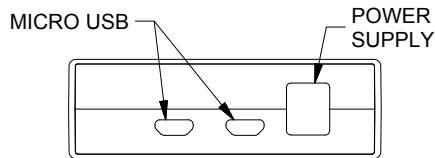
**TOP VIEW**



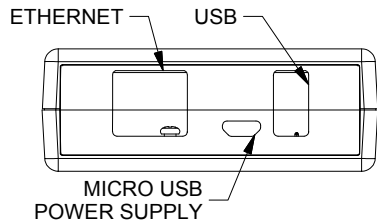
**SECTION A-A**



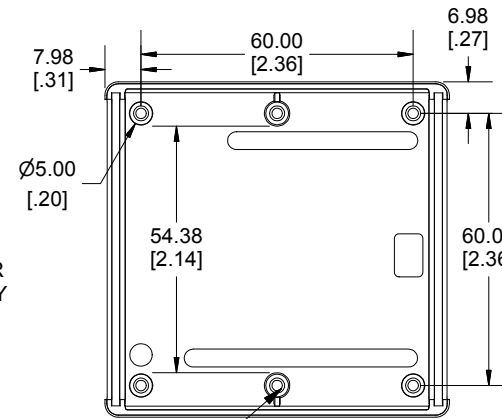
**UNO PANEL**



**LEONARDO / M0 PRO PANEL**

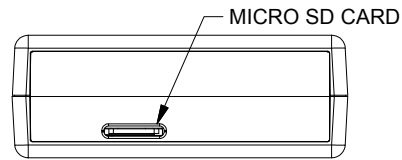


**YUN FRONT VIEW**

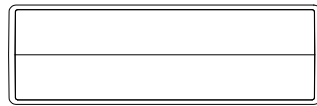


**INSIDE TOP**

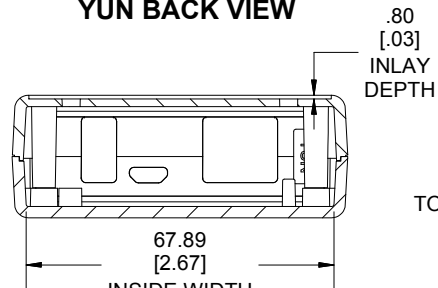
ACCEPTS #4 SELF-TAPPING SCREW



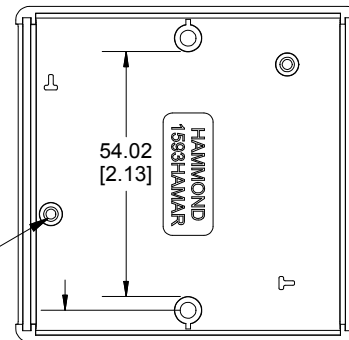
**YUN BACK VIEW**



**BACK COVER PANEL**



**SECTION B-B**



**INSIDE BOTTOM**

ACCEPTS M2.6 SELF-TAPPING SCREW

NOTE:  
PANELS CAN BE SWAPPED OUT TO ACCOMMODATE ARDUINO BOARDS (LEONARDO, YUN, UNO, M0 PRO)

Enclosures can be Factory Modified ( Milling, Drilling, Printing etc.)  
Contact Factory [mjm@hammondmfg.com](mailto:mjm@hammondmfg.com) for quotes  
Solid models of this enclosure available in STEP or IGES.

NOTE	
Purchased assembly includes top and bottom cover, 3 front panels (work with Arduino YUN, UNO, Leonardo / M0 PRO), 2 rear Panels (one blank and one that work with YUN micro SD card), 2 cover screws, 2 screws to secure Arduino board and 4 rubber feet.	
<b>Recommended Cover Screw Torque - 57lbf-in ( 40cN-m)</b>	

PART NUMBERS		
1593HAMAR		
Black Enclosure		1593HAMARBK
Grey Enclosure		1593HAMARGY
Translucent Blue Enclosure		1593HAMARTBU
ACCESSORIES		
Cover Screws #4 X 1/2" Self-Tapping (100 Pkg)		1591TS100
P.C. Board Screws M2.6 X 6mm Self-Tapping		1591TS100BK (Black)
Clear Rubber Feet (Pkg 24)		SC519-50 (Pkg 50)
		1421T6CL
Arduino Panels	Color	-
1593AR STD CONTOURED PANEL (SINGLE PANEL)	Translucent Blue	1593ARL2BK-B
	Black	1593ARL2GY-B
	Grey	1593ARL2TBU-B
1593HAMAR UNO PANEL KIT (FRONT & REAR PANEL)	Translucent Blue	1593ARL3BK-B
	Black	1593ARL3GY-B
	Grey	1593ARL3TBU-B
1593HAMAR YUN PANEL KIT (FRONT & REAR PANEL)	Translucent Blue	1593ARL4BK-B
	Black	1593ARL4GY-B
	Grey	1593ARL4TBU-B
1593HAMAR LEO/M0 PRO PANEL KIT (FRONT & REAR PANEL)	Translucent Blue	1593ARL6BK-B
	Black	1593ARL6GY-B
	Grey	1593ARL6TBU-B

Dimensions:  
mm  
[inches]

