

JBXEDOC

MASS (g)	VOLUME (mm ³)
5.5	920

ELECTRICAL:

EMI SHIELDING : SHIELDED FOR THE RANGE 55dB UP TO 100MHZ

INSULATION RESISTANCE : >500MΩ PER ANSI-EIA-364-D METHOD 21

MAX. CURRENT RATING : SEE INSULATOR DRAWING

CONNECTOR TESTING : SEE INSULATOR DRAWING

CONNECTOR WORKING : SEE INSULATOR DRAWING

ENVIRONMENTAL:

ENDURANCE: 1000 CYCLES AS PER MIL-STD 1344A, METHOD 2016.1

SHOCK: 50 g , DURATION 6 ms; AS PER MIL-STD 1344A, METHOD 2004.1

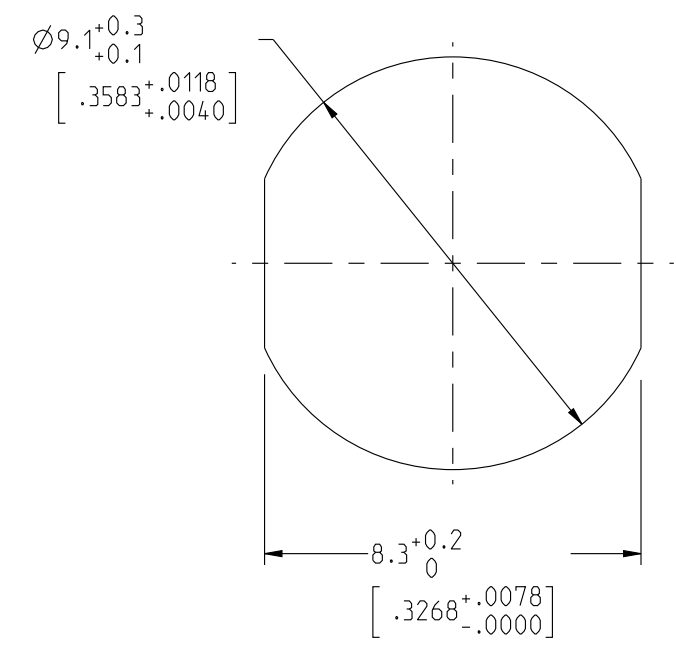
VIBRATIONS: 10 TO 2000Hz g = 20g, AS PER MIL-STD 1344A, METHOD 2005.1

PROTECTION INDEX: IP 40 AS PER IEC 529

ROHS COMPLIANT

SALT MIST : 48Hr PER SAE AS 1344 METHOD 1001.1 CEI 529

OPERATING TEMPERATURE: -55°C TO +125°C (-67°F TO +257°F)



RECOMMENDED PANEL CUTOUT

NOTES:

1 RED BAND

MATERIAL:

OUTER SHELL & NUT : BRASS

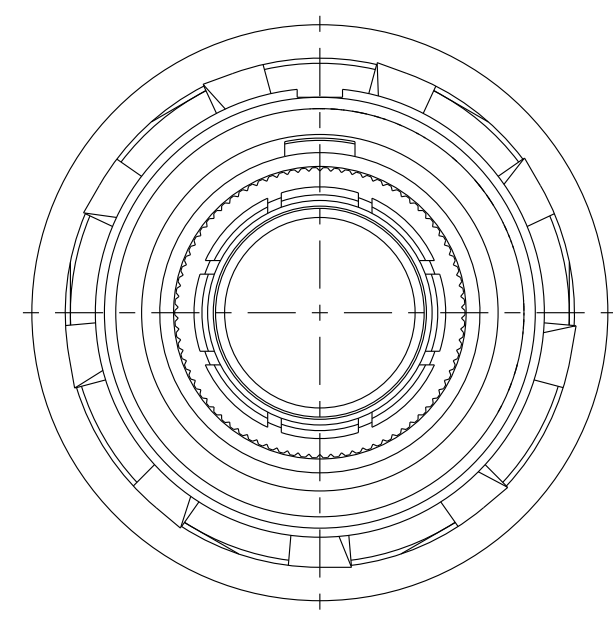
SHIELD RING : BRASS

FINISH:

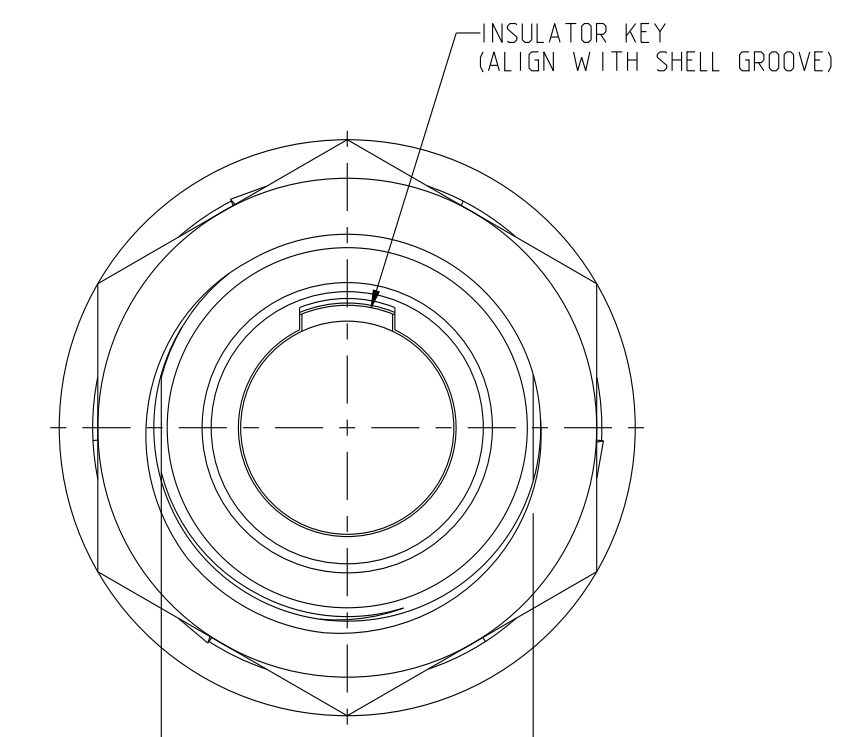
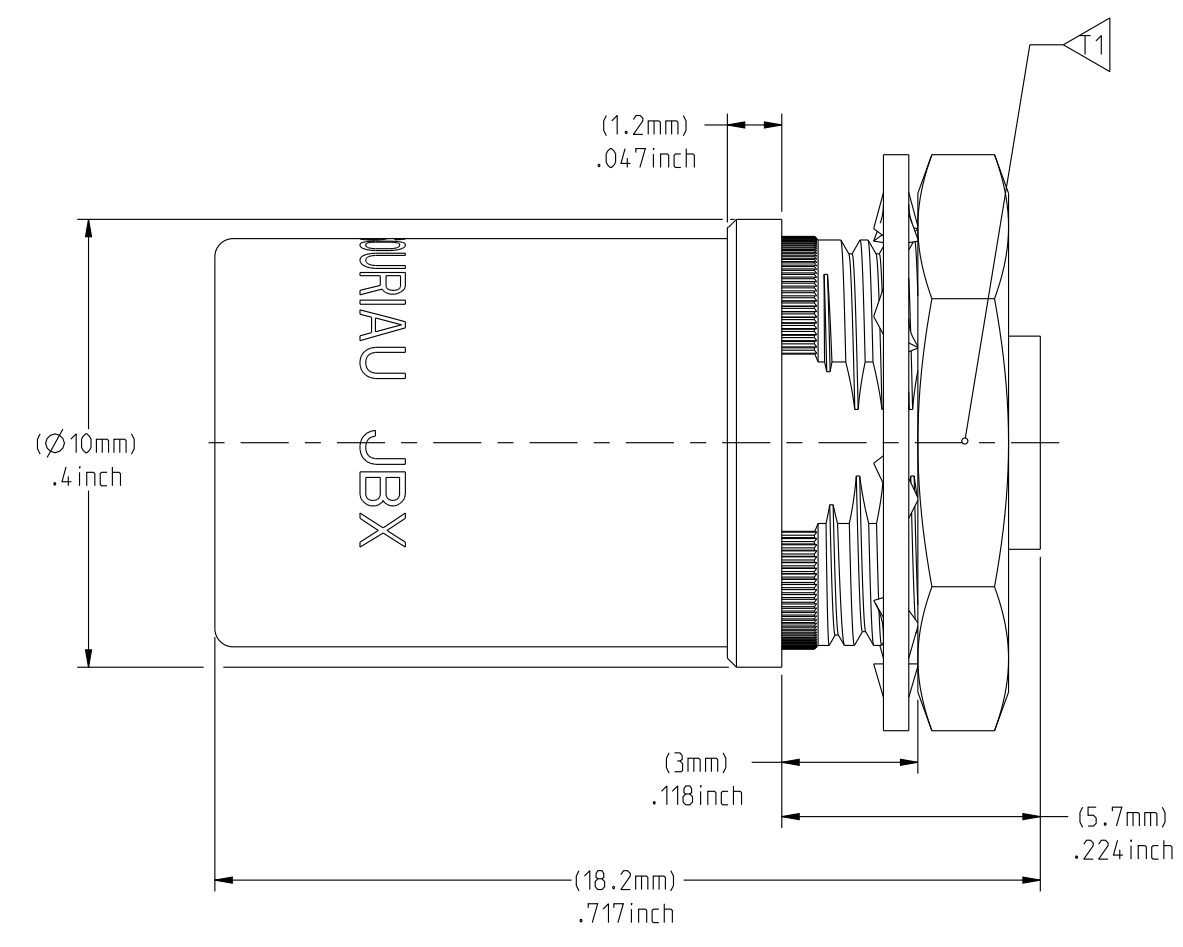
OUTER SHELL : CHROME

OTHER BRASS PARTS : NICKEL

T TOOLS



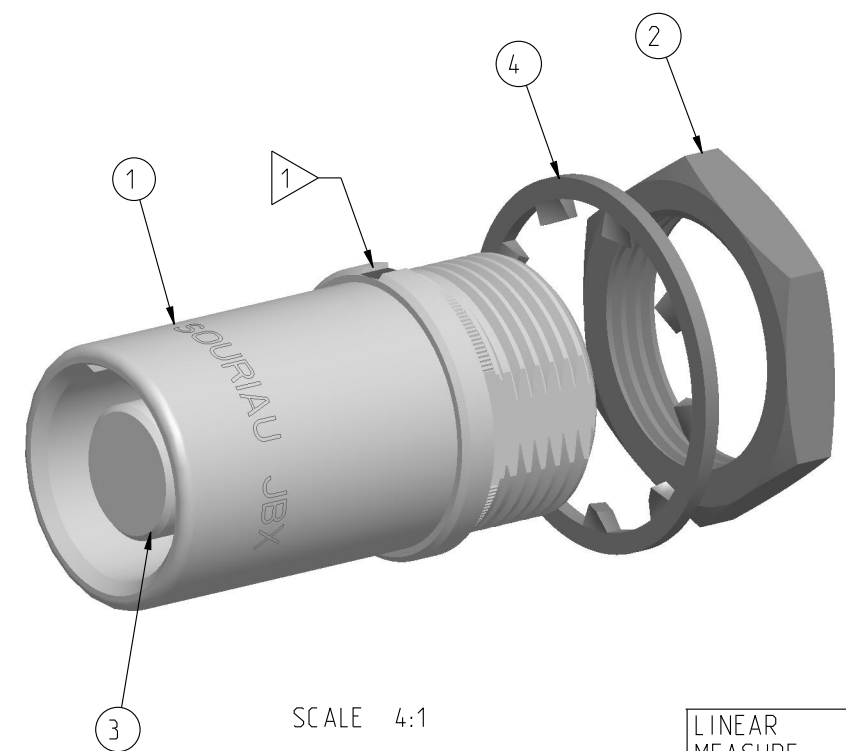
MATING SIDE VIEW



WIRE SIDE VIEW

PART LIST	
ITEM NO.	DESCRIPTION
1	SHELL
2	HEX NUT
3	INSULATOR
4	LOCK WASHER

T	TOOLS (JAW DIMENSION)	ADVISED TORQUE IN Nm
11	11	0.7



SCALE 4:1

CATALOG NUMBER DESCRIPTION

JBX ED 0 XXXXXDXR

BASIC SERIES ——— **OPTION**

SHELL TYPE ——— **INSERT MATERIAL**

SHELL SIZE ——— **COLLET OPTION**

KEYING ——— **SURFACE PLATING**

SEE INSULATOR DRAWING

ORIGIN	COUNTRY	JURISDICTION	CLASSIFICATION
X	FR	Not listed	N/A
	US	EAR	ECCN =EAR99

These commodities, technology or software are exported from the United States in accordance with the Export Administration Regulations. Diversion contrary to U.S. law is prohibited.

LINEAR MEASURE:	mm (INCH)
THIRD ANGLE PROJECTION	
TOLERANCES UNLESS OTHERWISE SPECIFIED	
No. OF PLACES	mm [INCH]
WHOLE No.	±0.5 [±.02]
ONE PLACE	±0.2 [±.008]
TWO PLACES	±0.1 [±.004]
ANGLES ±1°	

DRAWING TITLE
JBX, SIZE O, FRONT PANEL PROTRUDING RECEPTACLE

CAT NO. **JBXEDO**

CAGE NO: 09922 SIZE: C

CUSTOMER

INTERPRET THIS DRAWING IN ACCORDANCE WITH ASME Y14.5M - 1994.

SOURIAU
WWW.SOURIAU.COM

APPROVAL	DRAWN: TJS	01-07-15
	CHKD : EV	01-07-15
	DSGN : EV	01-07-15
	MFG : DH	01-07-15
	QC : BB	01-07-15
	DRAWING SCALE: 6:1	
	DRAWING NO.	REV
	JBXEDOC	A

1 OF 1

THE INFORMATION CONTAINED IN THIS DRAWING IS CONFIDENTIAL AND MAY NOT BE DISCLOSED WITHOUT WRITTEN CONSENT FROM SOURIAU USA, INC.

THIS DRAWING IS A CONTROLLED DOCUMENT FOR SOURIAU USA, INC. IT IS SUBJECT TO CHANGE WITHOUT NOTIFICATION. CONTACT THE DOCUMENT CONTROL CENTER FOR THE LATEST REVISION.

C

B

D

C

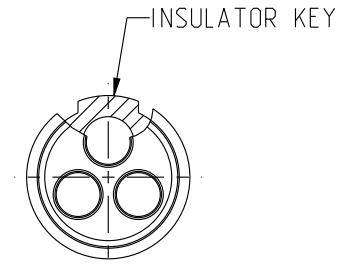
B

A

DWG. NO.
JBX0INSFCC

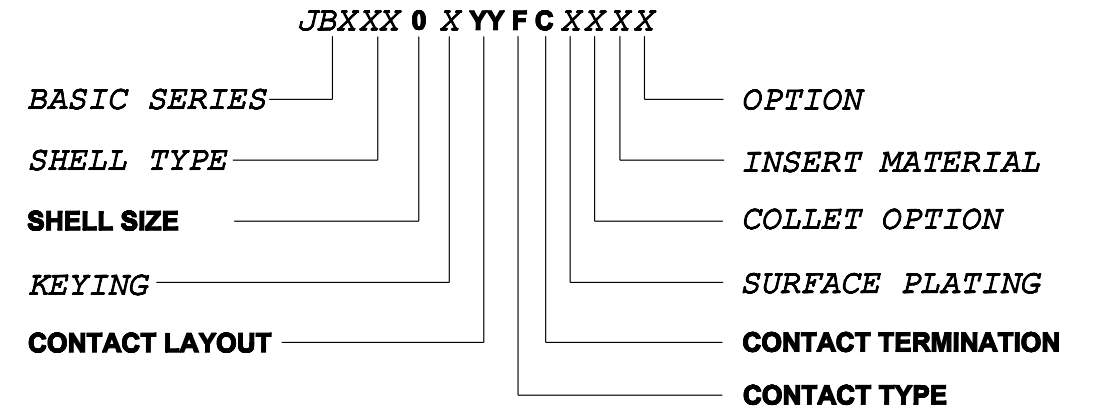
FEMALE INSULATOR, CRIMP CONTACT

CONTACT LAYOUT	02	03	04	05
FRONT SIDE VIEW				
REAR SIDE VIEW				
CONTACT				
ISO VIEW				
CONTACT	ØC	0.9	0.9	0.7
	ØF	1.1	1.1	0.85
	MAX. AWG	20	20	22
	MAX. CURRENT RATING (A)	10	10	7
INSULATOR	CONTACT RESISTANCE (mΩ)	3.5	3.5	5
	NUMBER OF CAVITY	2	3	4
	MAX. CURRENT RATING	10	8	7
	TEST VOLTAGE (Vrms)	1400	1300	1350
	WORKING VOLTAGE (Vdc/Vrms)	660/460	600/420	660/460
			400/260	



CONTACT TYPE : F (FEMALE)
CONTACT TERMINATION : C (CRIMP)
MATERIAL :
 CONTACT: CUPRO-NICKEL
 CLIP: COPPER ALLOY
 INSULATOR: PEEK
FINISH :
 CONTACTS : GOLD

CATALOG NUMBER DESCRIPTION



B	REVISED PER ECN 12286	RSK 06-10-15	EV 06-10-15
A	RELEASED PER ECN 12264	TJS 03-10-15	EV 03-10-15
REV	DESCRIPTION	BY DATE	CHKD DATE

DRAWING TITLE
JBX, SIZE 0, FEMALE INSULATOR, CRIMP CONTACT

CAT NO. **JBX0INSFC**

CAGE NO: 09922 SIZE: B

CUSTOMER	SOURIAU	APPROVAL	DRAWN: TJS	02-04-15
			CHKD : EV	02-04-15
INTERPRET THIS DRAWING IN ACCORDANCE WITH ASME Y14.5M - 1994.	WWW.SOURIAU.COM		DSGN : EV	02-04-15
			MFG : DH	02-04-15
			QC : BB	02-04-15
			DRAWING SCALE: NA	
			DRAWING NO.	REV
			JBX0INSFCC	B
			1 OF 1	

ORIGIN	COUNTRY	JURISDICTION	CLASSIFICATION
X	FR	Not listed	N/A
	US	EAR	ECCN =EAR99

These commodities, technology or software are exported from the United States in accordance with the Export Administration Regulations. Diversion contrary to U.S. law is prohibited.

LINEAR MEASURE: $\frac{mm}{INCH}$ mm (INCH)
 THIRD ANGLE PROJECTION

 TOLERANCES UNLESS OTHERWISE SPECIFIED
 No. OF PLACES mm [INCH]
 ONE PLACE ±3 [±.1]
 TWO PLACES ±0.5 [±.02]
 THREE PLACES ±0.25 [±.010]
 ANGLES ±1°

THIS DRAWING IS A CONTROLLED DOCUMENT FOR SOURIAU USA, INC. IT IS SUBJECT TO CHANGE WITHOUT NOTIFICATION. CONTACT THE DOCUMENT CONTROL CENTER FOR THE LATEST REVISION.

THE INFORMATION CONTAINED IN THIS DRAWING IS CONFIDENTIAL AND MAY NOT BE DISCLOSED WITHOUT WRITTEN CONSENT FROM SOURIAU USA, INC.