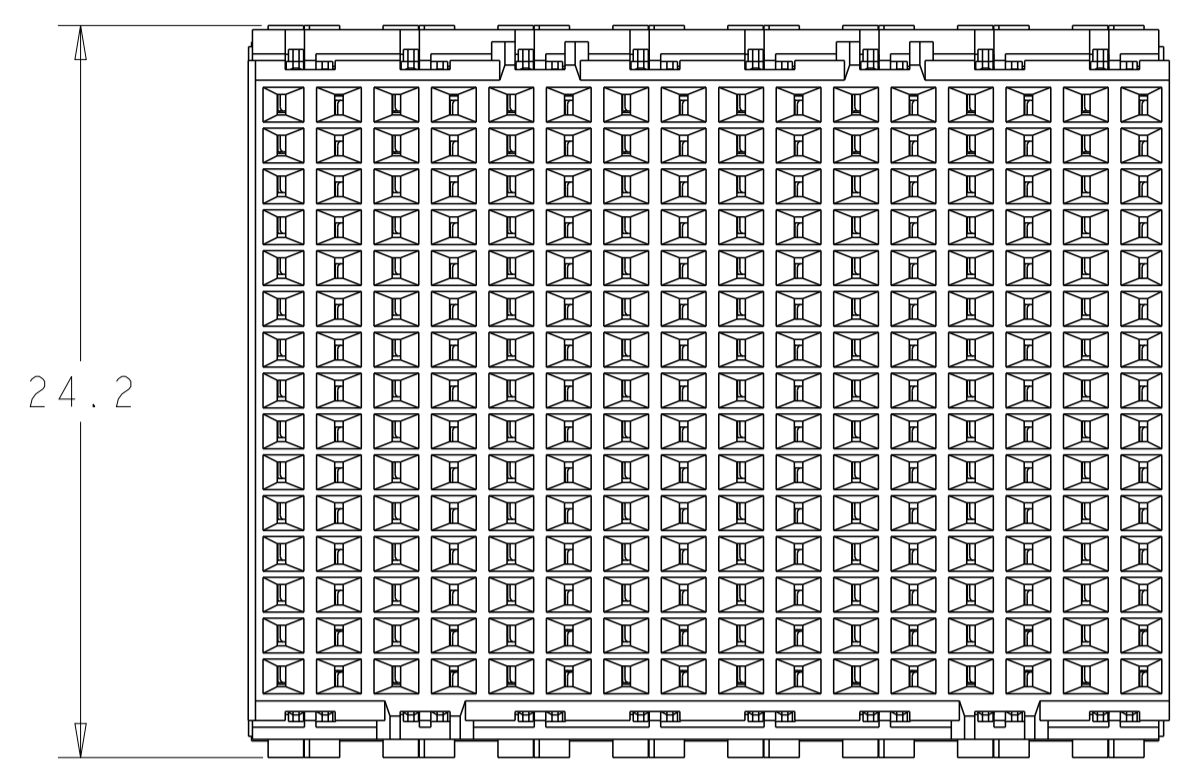
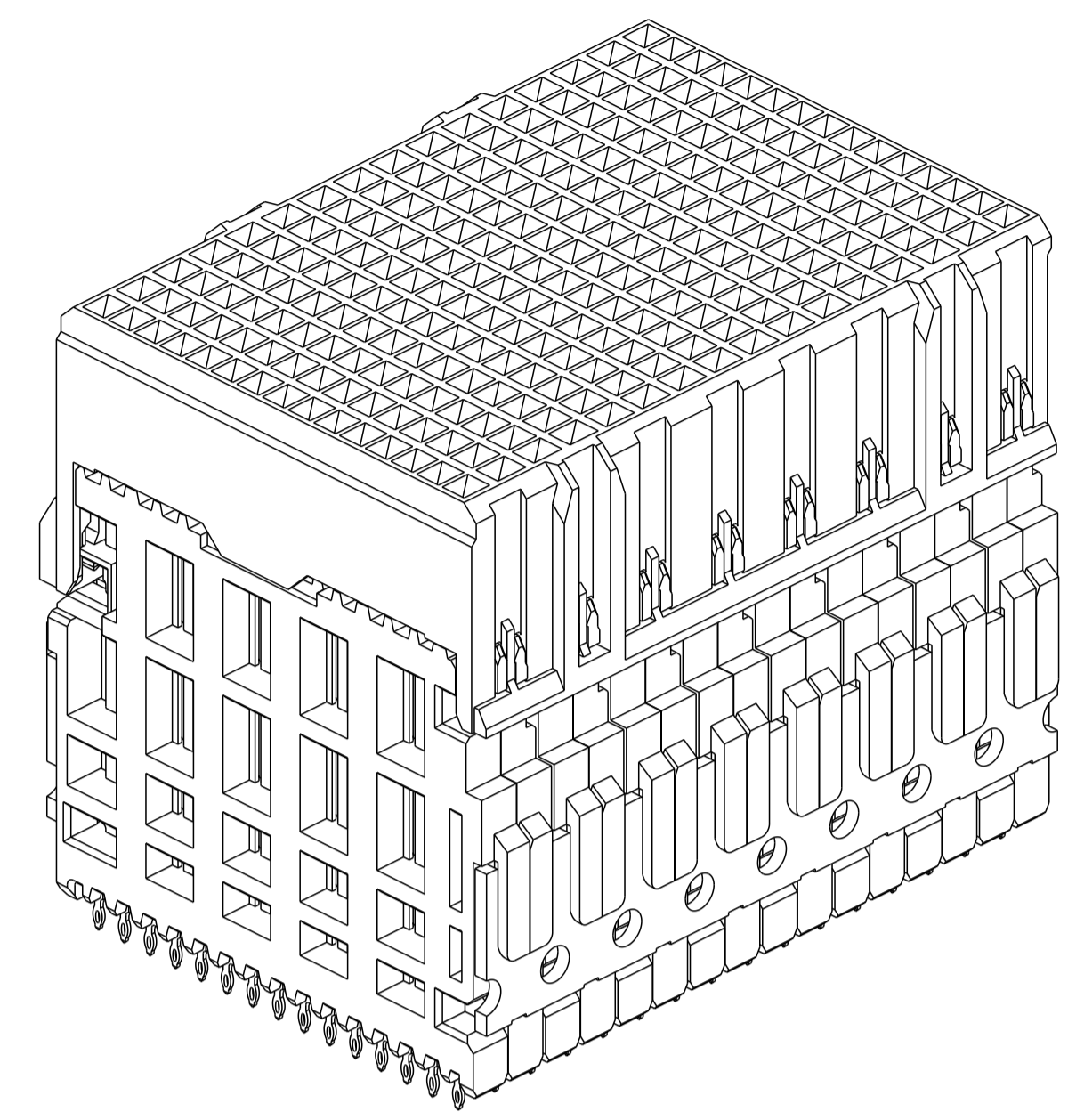


LOC		DIST		REVISIONS			
P	LTN	DESCRIPTION	DATE	DMN	APVD		
A1		REVISED PER ECO-13-011806	22JUL2013	KH	DD		

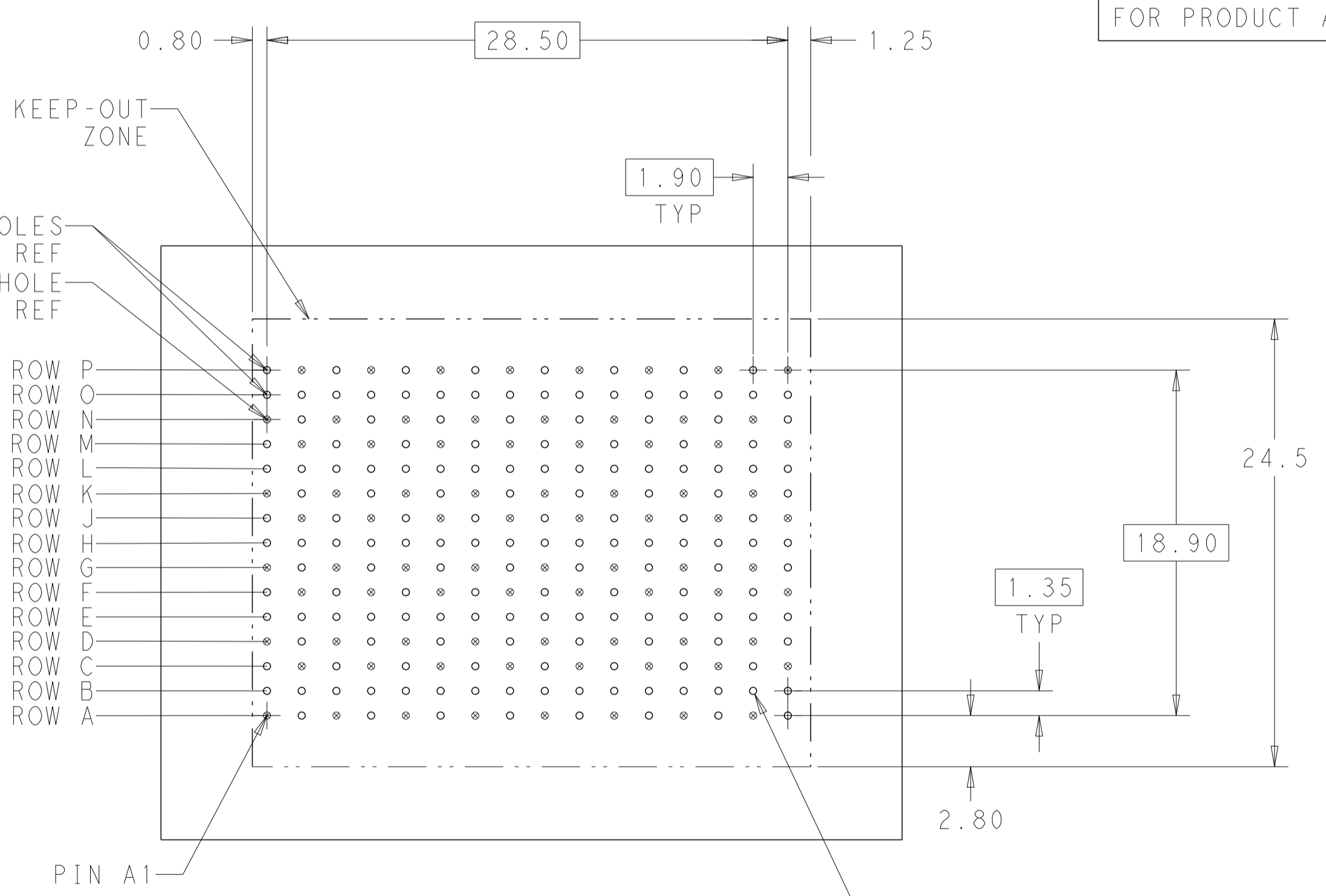
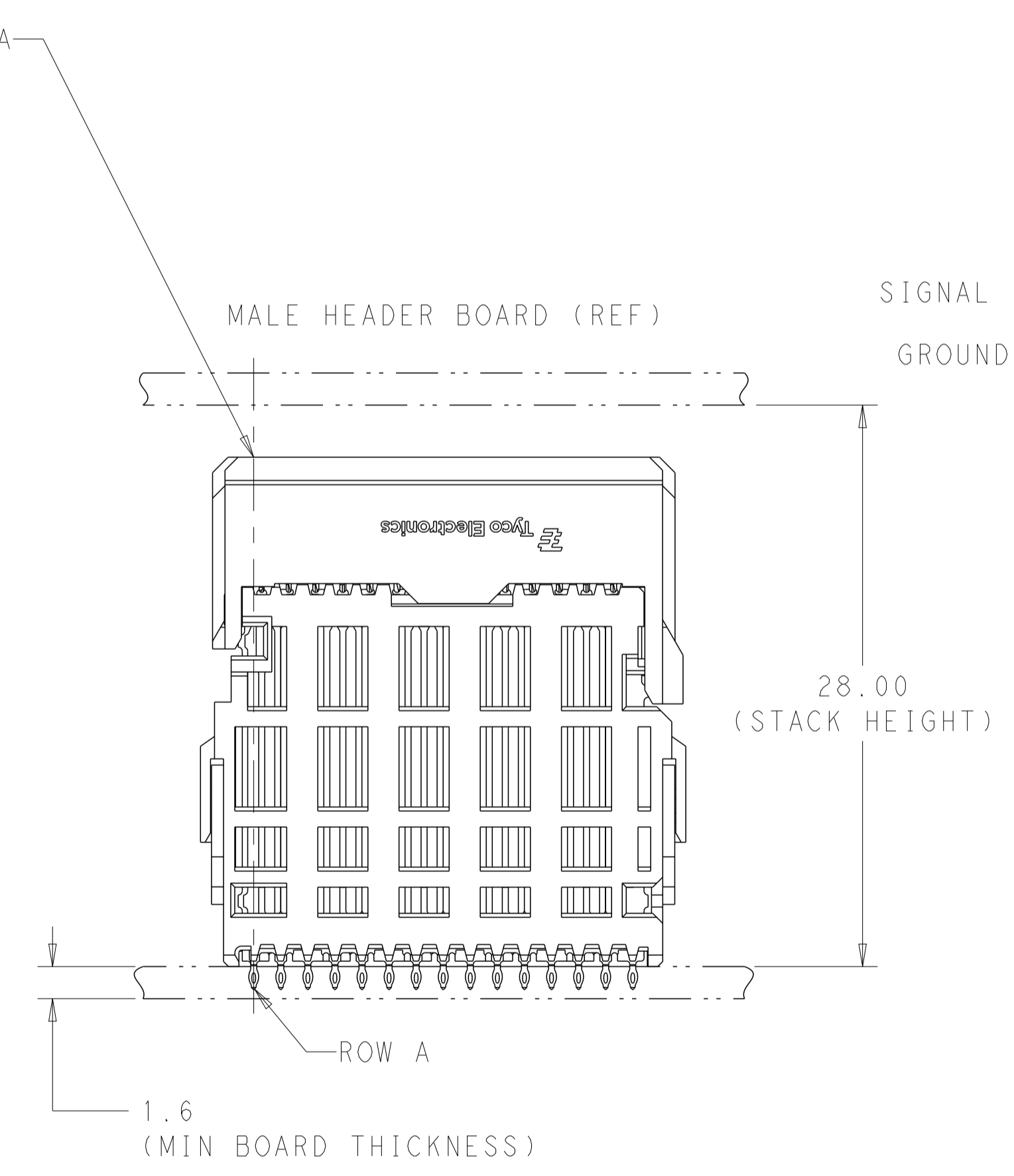
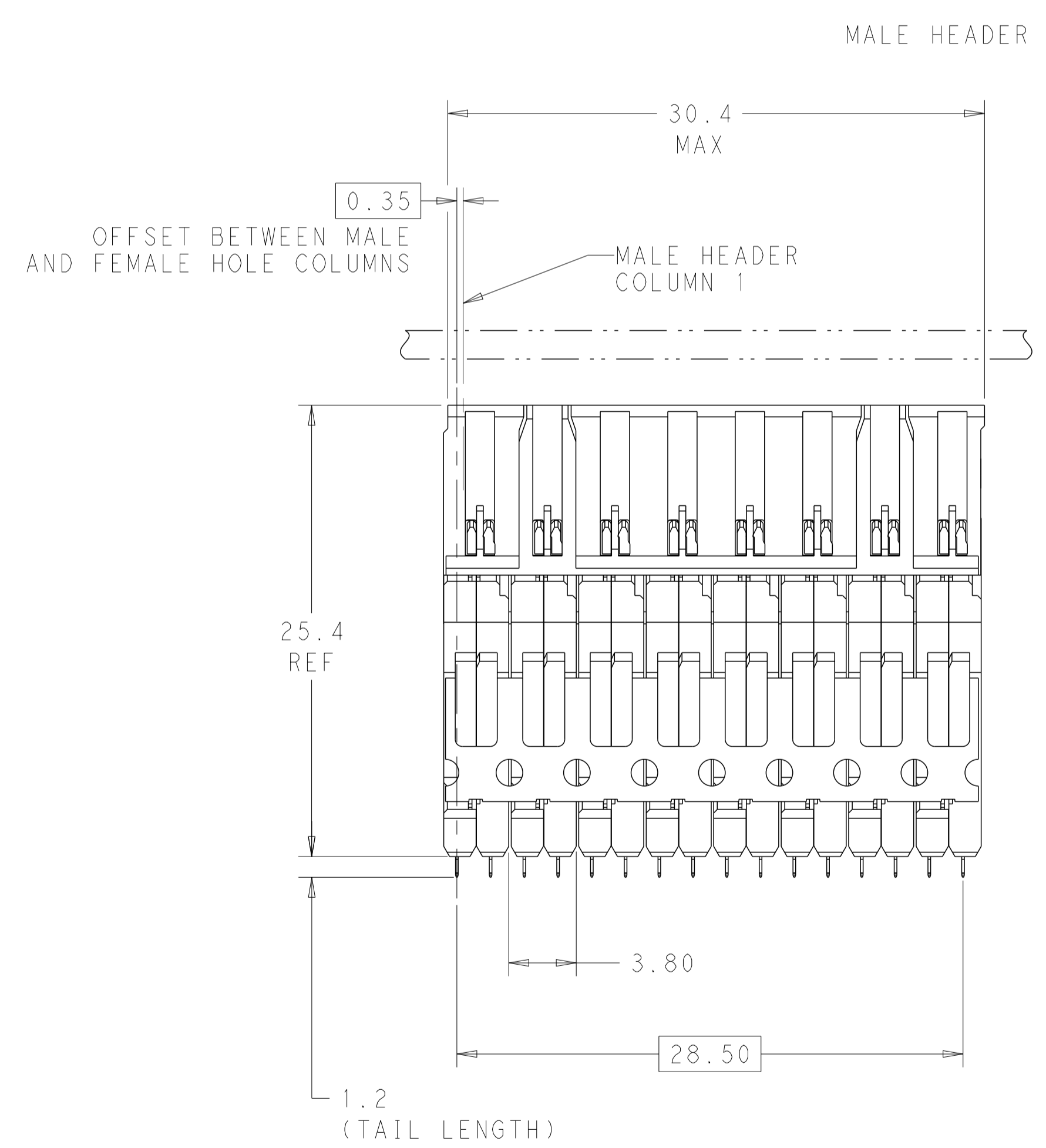


- ① MATERIAL:
HOUSING: LCP, GLASS FILLED, UL94V-0.
TERMINALS: HIGH PERFORMANCE COPPER ALLOY.
- ② FINISH:
30μ" SELECTIVE GOLD IN CONTACT AREA. SELECTIVE TIN ON PCB TAILS, NICKEL OVERALL.
- ③ FINISH:
30μ" SELECTIVE GOLD IN CONTACT AREA. SELECTIVE TIN-LEAD ON PCB TAILS, NICKEL OVERALL.



SCALE 4:1

REFER TO WWW.TE.COM FOR PRODUCT AVAILABILITY



RECOMMENDED PCB LAYOUT
MIN BOARD THICKNESS 1.0

150X Ø0.39±0.05
PLATED THRU HOLE

150X Ø0.48±0.013
DRILL HOLE
⊕ Ø0.10

NONE	②	2149394-1
KEY POSITION	FINISH	PART NUMBER
TE TE Connectivity		
DIMENSIONS: mm TOLERANCES UNLESS OTHERWISE SPECIFIED: 0 PLC ± 1 PLC ±0.25 2 PLC ±0.10 3 PLC ± 4 PLC ± ANGLES ±1/2° FINISH SEE TABLE		NAME: IMPACT, 5 PAIR, DAUGHTERCARD 28mm 16 COLUMN, UNGUIDED, SIGNAL MODULE, 0.39 EYELET SIZE: A1 CAGE CODE: 00779 DRAWING NO: 2149394
MATERIAL: SEE TABLE		RESTRICTED TO: -
CUSTOMER DRAWING		SCALE: 4:1 SHEET 1 OF 1 REV A1