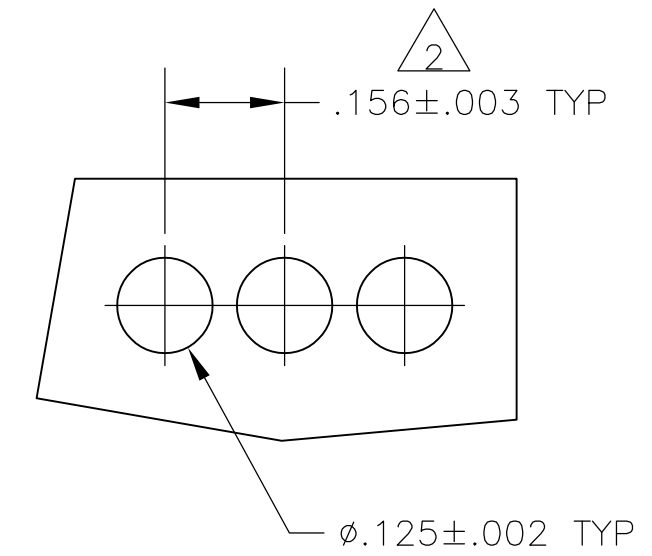
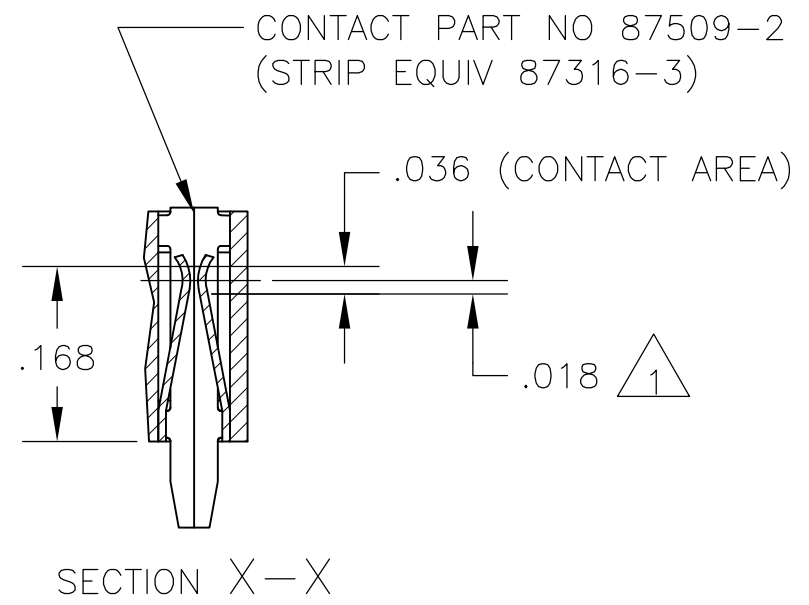


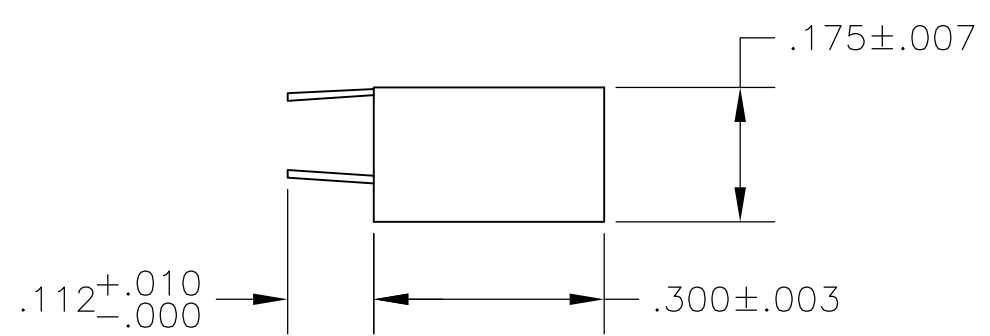
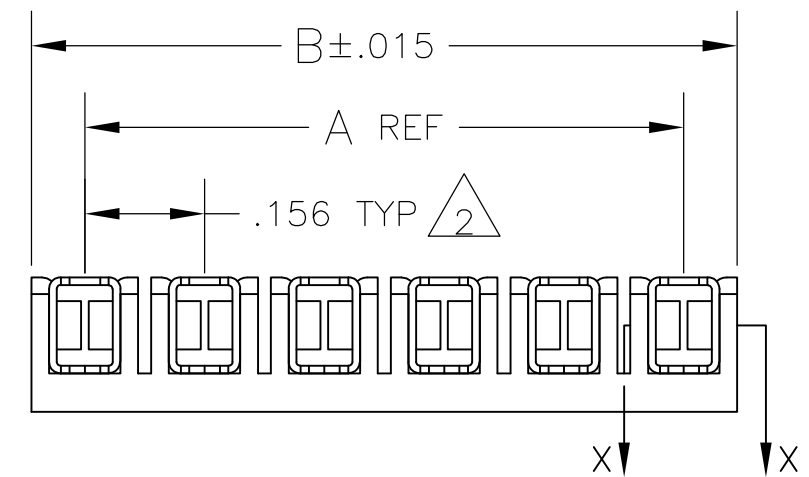
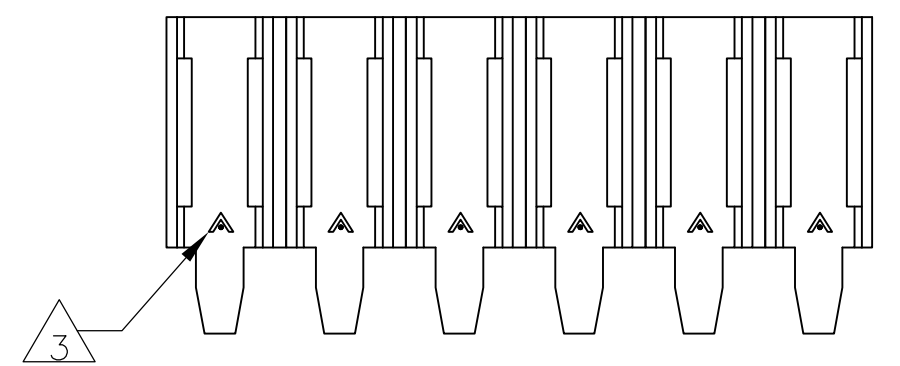
THIS DRAWING IS UNPUBLISHED. RELEASED FOR PUBLICATION
 © COPYRIGHT BY TYCO ELECTRONICS CORPORATION. ALL RIGHTS RESERVED.

LOC	DIST	REVISIONS					
AD	00	P	LTR	DESCRIPTION	DATE	DWN	APVD
		L1		REVISED ECO-09-024927	06NOV09	KK	AEG

- 1 POINT OF MEASUREMENT FOR PLATING THICKNESS (INSIDE OF BEAMS).
- 2 TOLERANCE NON-CUMULATIVE.
- 3 THE MATING END OF THE CONTACT IS IDENTIFIED BY THE LETTER "A" STAMPED ON THE RECEPTACLE BOX.
- 4 OBSOLETE PARTS: OBSOLETE CIS STREAMLINING PER D.RENAUD/D.SINISI



RECOMMENDED BOARD MOUNTING
(RECOMMENDED BOARD THICKNESS: .055-.070)



	B	A	NO OF POSN	ASSEMBLY PART NUMBER
OBSOLETE 4	3.120	2.964	20	2-87993-0
	2.964	2.808	19	1-87993-9
	2.808	2.652	18	1-87993-8
	2.652	2.496	17	1-87993-7
OBSOLETE 4	2.496	2.340	16	1-87993-6
	2.340	2.184	15	1-87993-5
	2.184	2.028	14	1-87993-4
	2.028	1.872	13	1-87993-3
	1.872	1.716	12	1-87993-2
	1.716	1.560	11	1-87993-1
	1.560	1.404	10	1-87993-0
OBSOLETE 4	1.404	1.248	9	87993-9
	1.248	1.092	8	87993-8
	1.092	.936	7	87993-7
OBSOLETE 4	.936	.780	6	87993-6
	.780	.624	5	87993-5
	.624	.468	4	87993-4
	.468	.312	3	87993-3
	.312	.156	2	87993-2

THIS DRAWING IS A CONTROLLED DOCUMENT.

DWN L A MAYER 19MAR86
 CHK P C DEJONG 19MAR86
 APVD P C DEJONG 19MAR86

TOLERANCES UNLESS OTHERWISE SPECIFIED:
 0 PLC ± -
 1 PLC ± -
 2 PLC ± -
 3 PLC ± .005
 4 PLC ± -
 ANGLES ± -
 FINISH CONTACTS: .000079 MIN TIN

MATERIAL: HOUSING-FLAME RETARDANT THERMOPLASTIC, COLOR-BLACK CONTACTS- PHOS BRONZE

19MAR86
 Tyco Electronics Corporation
 Harrisburg, Pa 17105-3608

NAME: ASSY, MOD I, BOARD MOUNT RECP, .156 CL., HIGH PRESSURE, TYPE A, FOR ROUND HOLE MOUNTING

PRODUCT SPEC: 108-25,016
 APPLICATION SPEC: 114-25,004

SIZE: A2 CAGE CODE: 00779 DRAWING NO: C=87993 RESTRICTED TO: -

WEIGHT: -

CUSTOMER DRAWING SCALE: 4:1 SHEET: 1 OF 1 REV: L1