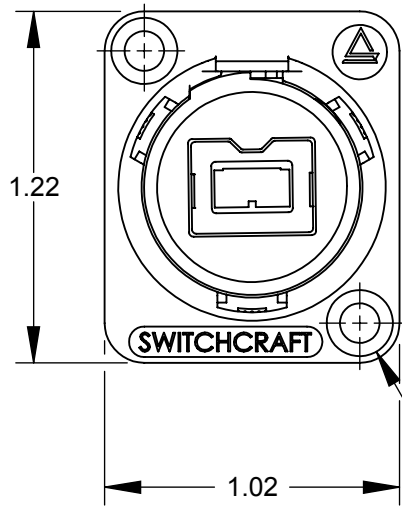
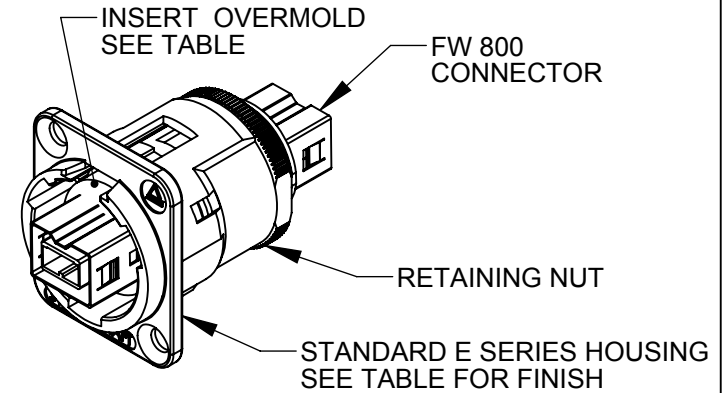
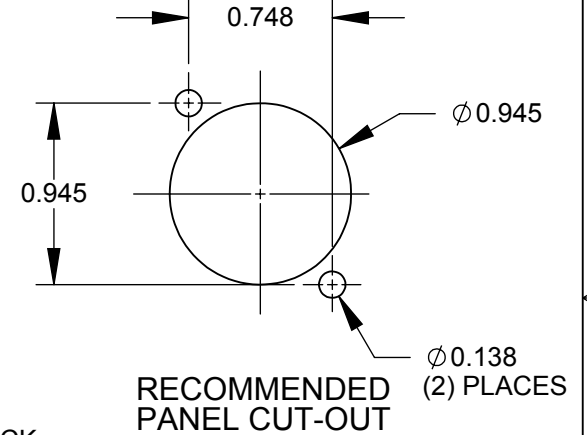
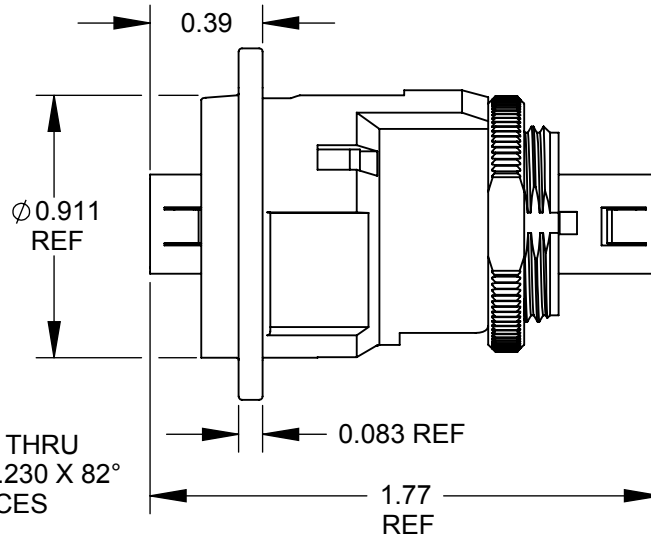


PART NUMBER	INSERT COLOR & WIRING	HOUSING FINISH
EHW800X2	RED - CROSS WIRED	NICKEL
EHW800X2B	RED - CROSS WIRED	BLACK CHROME



Ø0.138 THRU
 ✓ Ø0.230 X 82°
 (2) PLACES



PIN ASSIGNMENT									
EHW800X2 & EHW800X2B CROSS WIRED									
1	2	3	4	5	6	7	8	9	SHIELD
						NC			
3	4	1	2	9	6	7	8	5	SHIELD



NOTES:

- MATERIALS:
 INSERT OVERMOLD - THERMOPLASTIC, BLACK
 RETAINING NUT - BRASS, NICKEL PLATED
 HOUSING - ZINC ALLOY
- THERE IS NO CONNECTION BETWEEN PINS 7 AND 7.
- THIS PRODUCT IS RoHS COMPLIANT.

CUSTOMER DRAWING

					THIS DRAWING DESCRIBES A DESIGN CONSIDERED PROPRIETARY IN NATURE, DEVELOPED AND MANUFACTURED BY SWITCHCRAFT INC. AND IS RELEASED ON A CONFIDENTIAL BASIS FOR IDENTIFICATION PURPOSES ONLY.				
					SIZE	WIDTH	MULT	LBS/M	TEMPER
					FINISH			MATERIAL	
					SPEC No.			SPEC No.	
					FIRST USED ON		SCALE 1.5:1		
D	26611	09/08/10	JEB	TJK	DATE DRAWN	BY	CHKD	APVD	Switchcraft®
C	26467	11/30/09	RS	TJK	1/9/08	JGK	RS	TJK	
B	26415	7/17/09	TJK	TJK					
A	26308	12/1/08	RS	TJK					
REV	ECO NUMBER	DATE	BY	APVD	NAME			PART No.	REV
REVISIONS					FIREWIRE 800 FEED-THRU SERIES			EHW800 SERIES	D
DO NOT SCALE DRAWING									

