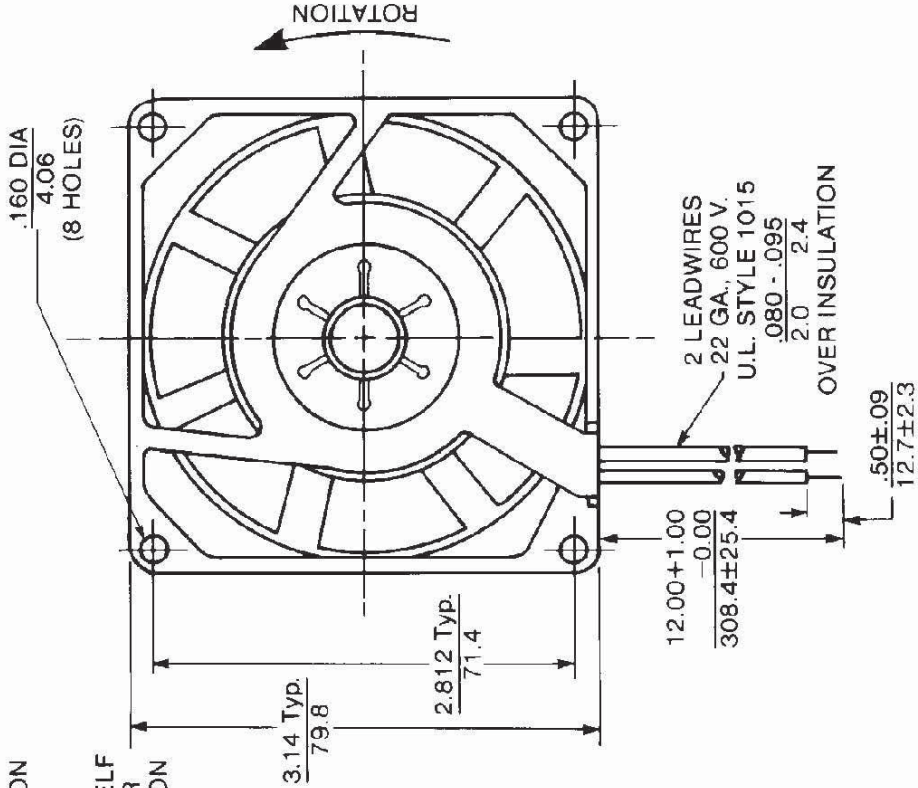
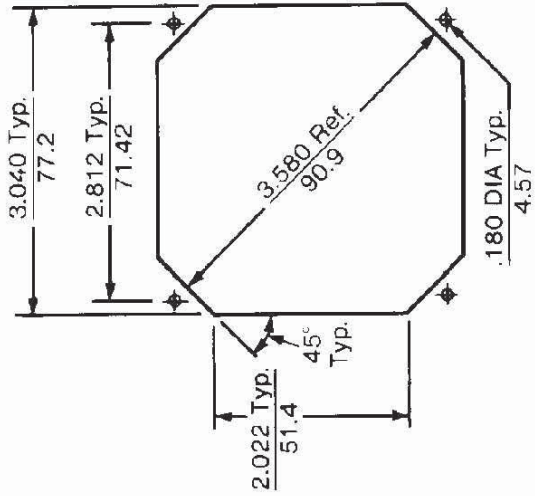
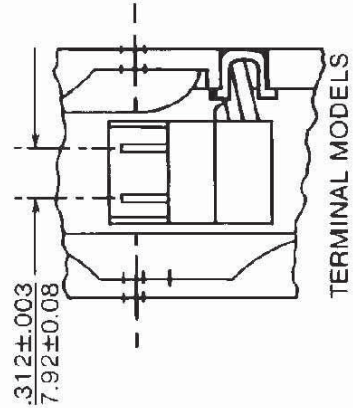


GROUND CONNECTION
1.25 DIA X .300 DEEP
3.18 7.62
USE #6-32 TYPE F SELF
TAPPING SCREW FOR
GROUND CONNECTION



TERMINALS
.120 ± .002 WIDE
3.05 ± 0.05
.020 ± .001 THICK
0.51 ± 0.03
.300 ± .020 LONG
7.62 ± 0.51

(WILL FIT PLUG
AND CORD SETS
#428056 OR #550440
OR AMP SERIES 110 TERMINALS)



INLET OR
OUTLET CUT OUT

DIMENSIONS: $\frac{\text{in}}{\text{mm}} \pm$
TOLERANCES: .xx = $\frac{.03}{0.8}$
.xxx = $\frac{.010}{.25}$
(UNLESS NOTED)

Specifications subject to change without notice.