

MATERIALS AND FINISHES

BODY SEE TABLE
 PLATED SEE TABLE

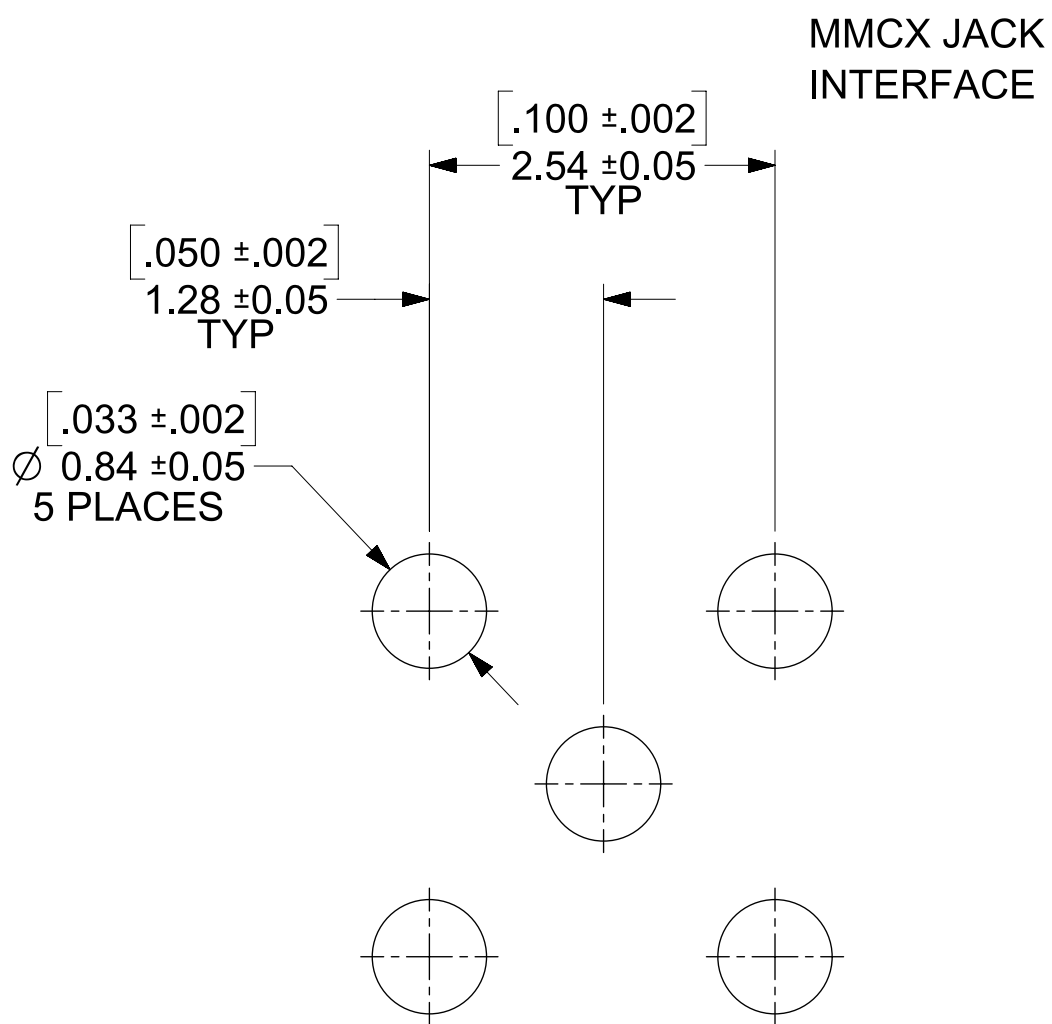
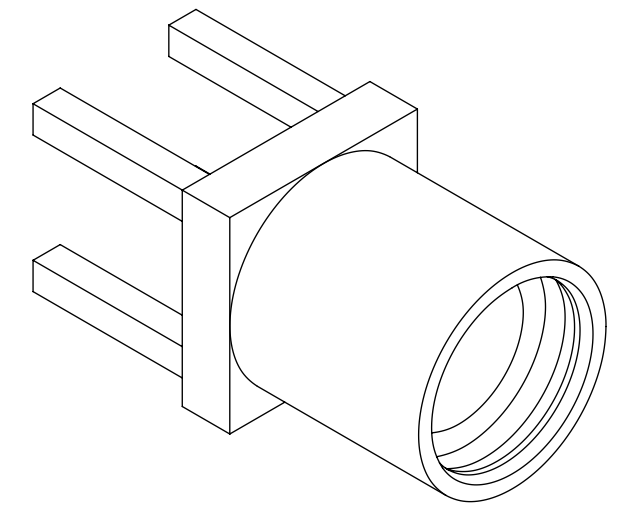
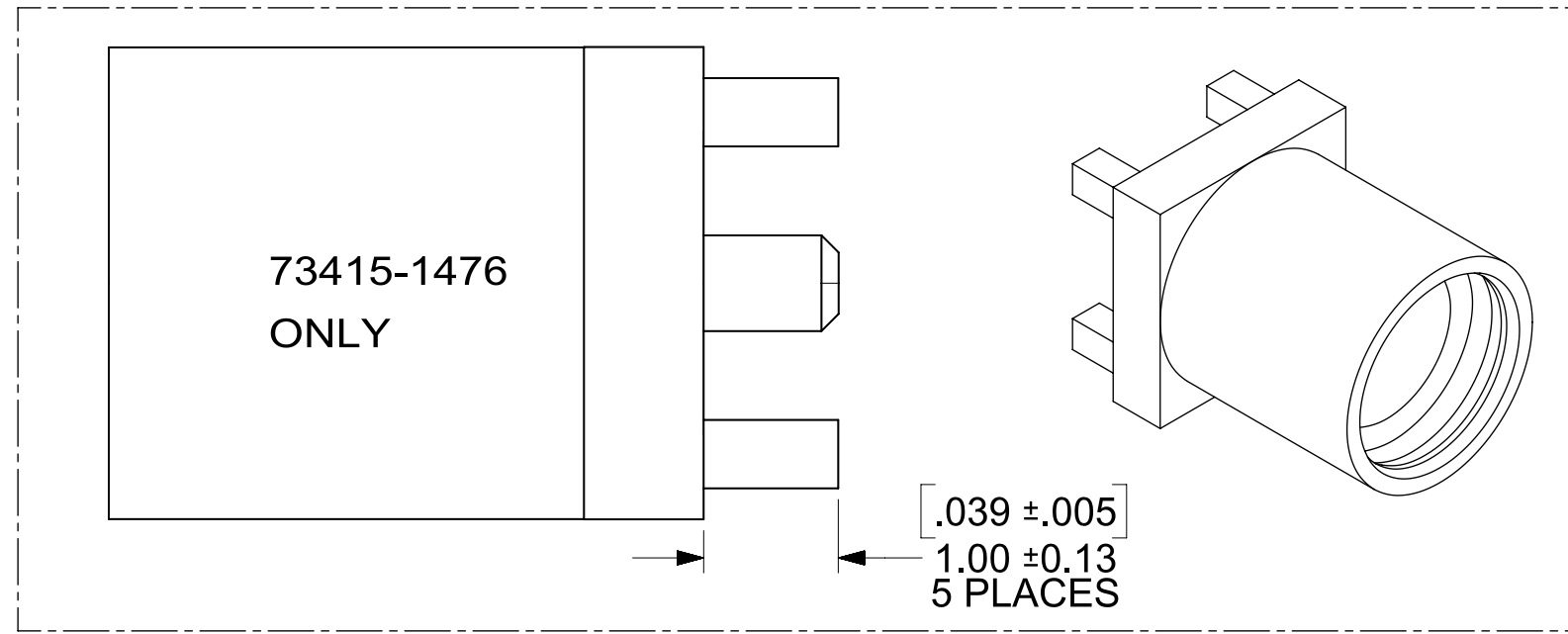
CENTER CONTACT BERYLLIUM COPPER
 PLATED GOLD

INSULATOR TEFLON

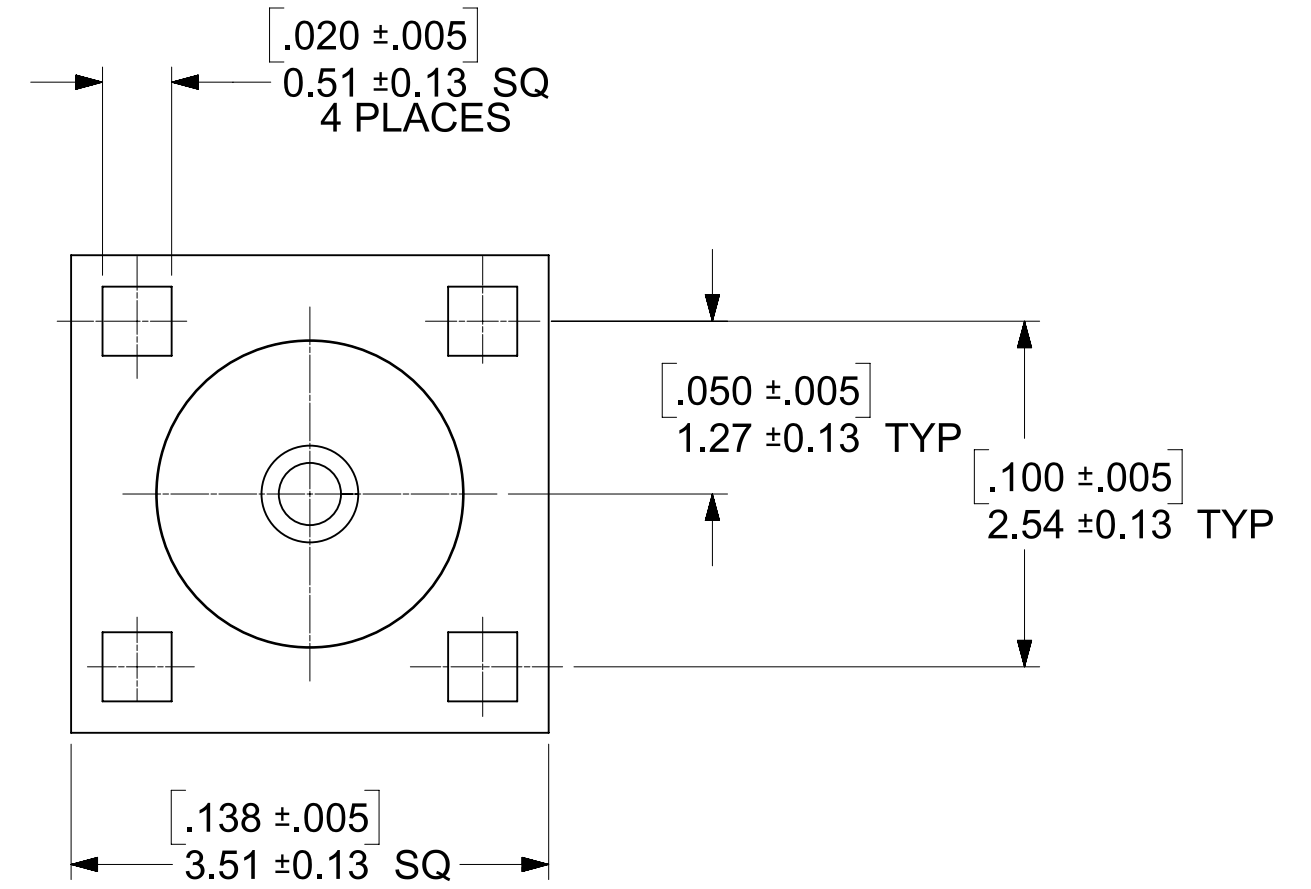
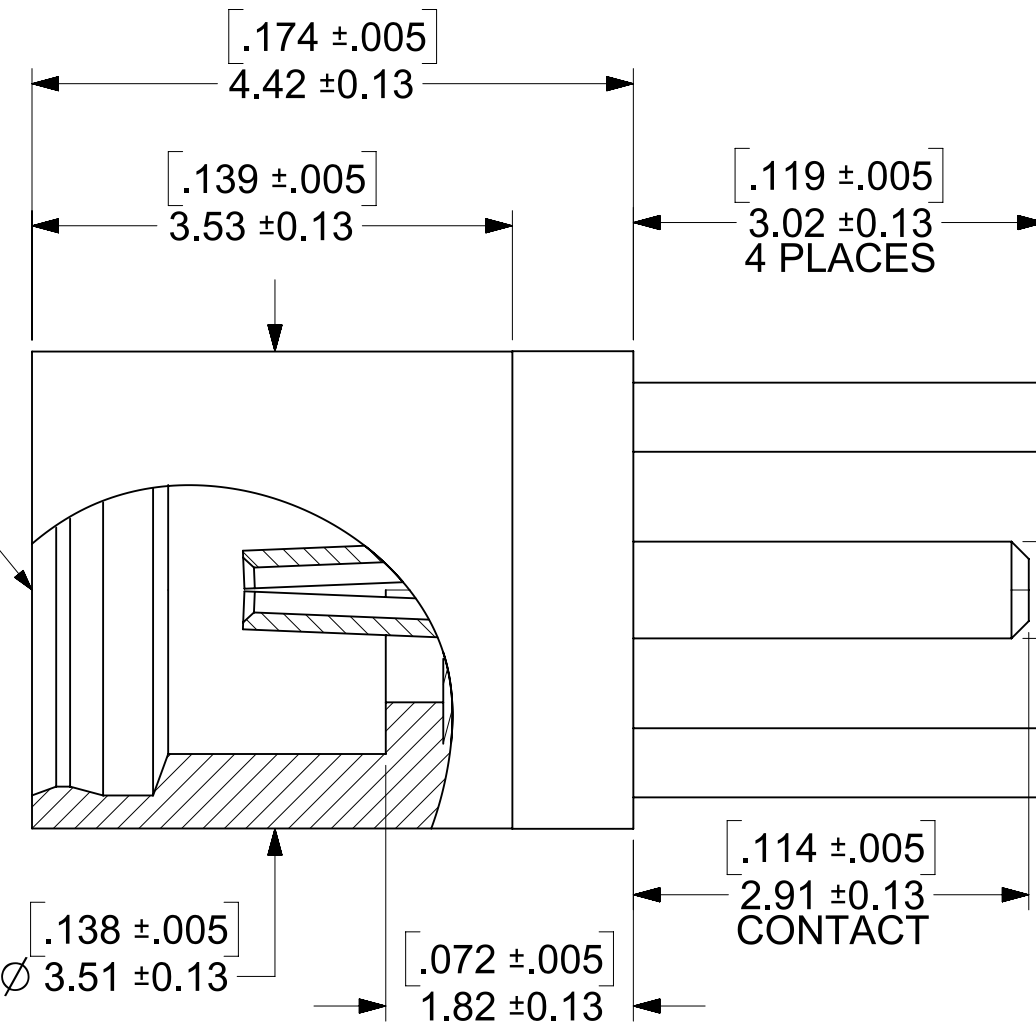
NOTE

PART # 73415-1473 IS

NON-MAGNETIC



SUGGESTED PCB LAYOUT



73415-1477	TRAY	BRASS/GOLD(PER COMMERCIAL REQUIRMENT)
73415-1476	TRAY (1.00 MM LEG LENGTHS)	BRASS/GOLD(PER COMMERCIAL REQUIRMENT)
73415-1475	P/N 73415-1471 WITH TAPE AND REEL	BRASS/GOLD(PER COMMERCIAL REQUIRMENT)
73415-1474	TRAY	BRASS/GOLD(PER COMMERCIAL REQUIRMENT)
73415-1473	BAG (SEE 89542-0103 DRAWING)	BeCu/GOLD (NON MAGNETIC)
73415-1472	P/N 73415-1471, ONE PER BAG	BRASS/GOLD(PER COMMERCIAL REQUIRMENT)
73415-1471	BAG (SEE 89542-0102 DRAWING)	BRASS/GOLD(PER COMMERCIAL REQUIRMENT)
73415-1470	BAG (SEE 89542-0102 DRAWING)	BRASS/GOLD(PER MILITARY REQUIRMENT)
PART NO.	PACKAGING	MATERIAL/PLATING

CECC 22 340	INTERFACE
PS-89675-1920	ELECTRO/MECH PER.
SPECIFICATION	DESCRIPTION

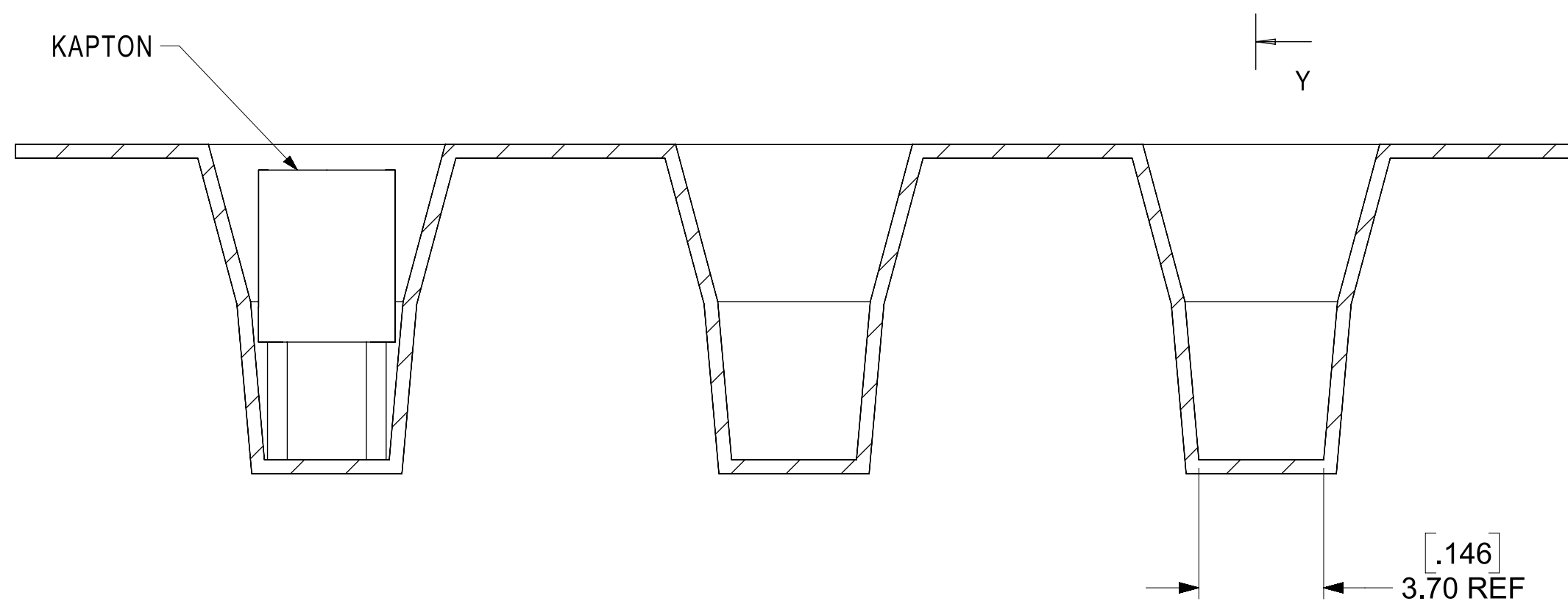
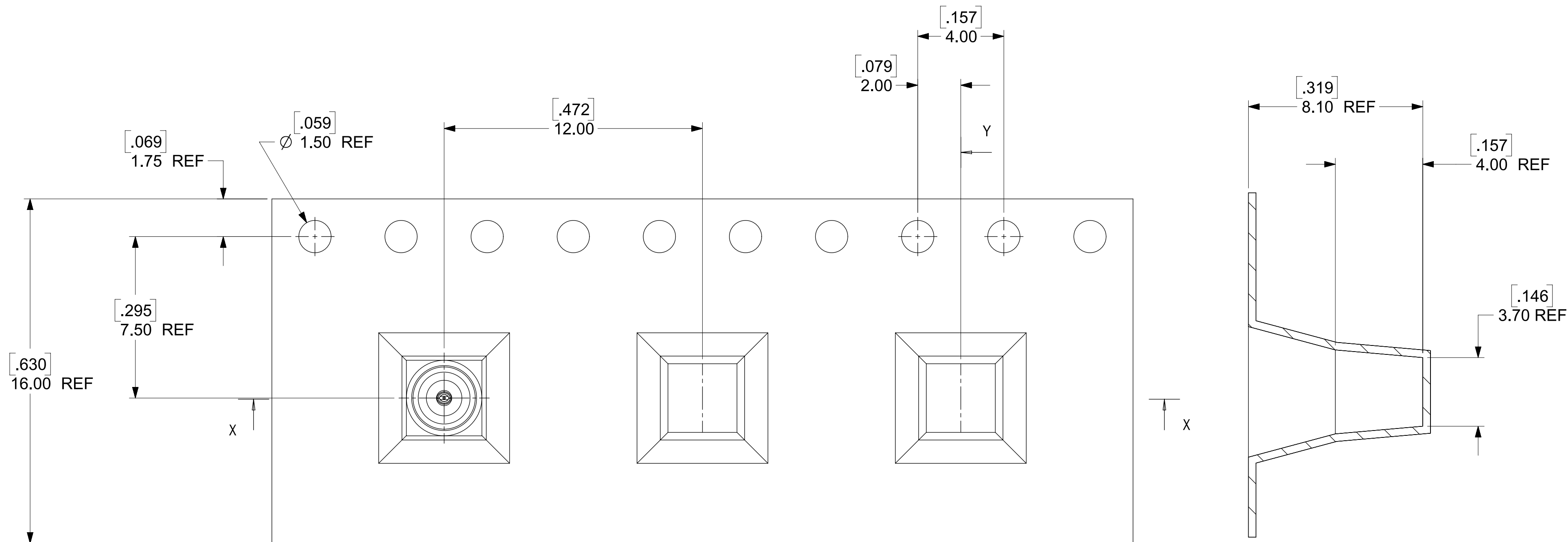
REV	DATE	DESCRIPTION
C1	2017/11/16	ADD TOLERANCE ON DRAWING

THIS DRAWING CONTAINS INFORMATION THAT IS PROPRIETARY TO MOLEX ELECTRONIC TECHNOLOGIES, LLC AND SHOULD NOT BE USED WITHOUT WRITTEN PERMISSION

EC NO: 168264 DRWN: JSU18 CHKD: YCHENG	2017/11/16	2017/11/27	GENERAL TOLERANCES (UNLESS SPECIFIED)	DIMENSION UNITS: HYBRID	SCALE: 1:1	
	2017/11/16	2017/11/27	ANGULAR TOL ± 2.0 °	DRWN BY: ELIN	DATE: 2016/08/03	
C1	REV	APPR: YCHENG	4 PLACES ±	CHK'D BY:	DATE:	PRODUCT CUSTOMER DRAWING
	REV	DATE:	3 PLACES ±	CHK'D BY:	DATE:	
C1	REV	DATE:	2 PLACES ±	APPR BY: YCHENG	DATE: 2016/08/10	DOCUMENT NUMBER: SD-73415-147 DOC TYPE: PSD DOC PART: 001 SHEET NUMBER: 1 OF 3
	REV	DATE:	1 PLACE ±	DRAFT WHERE APPLICABLE MUST REMAIN WITHIN DIMENSIONS	DRAWING SIZE: C	
C1	REV	DATE:	0 PLACES ±			

NOTE

DIMENSIONS ARE PROVIDED FOR REFERENCE ONLY

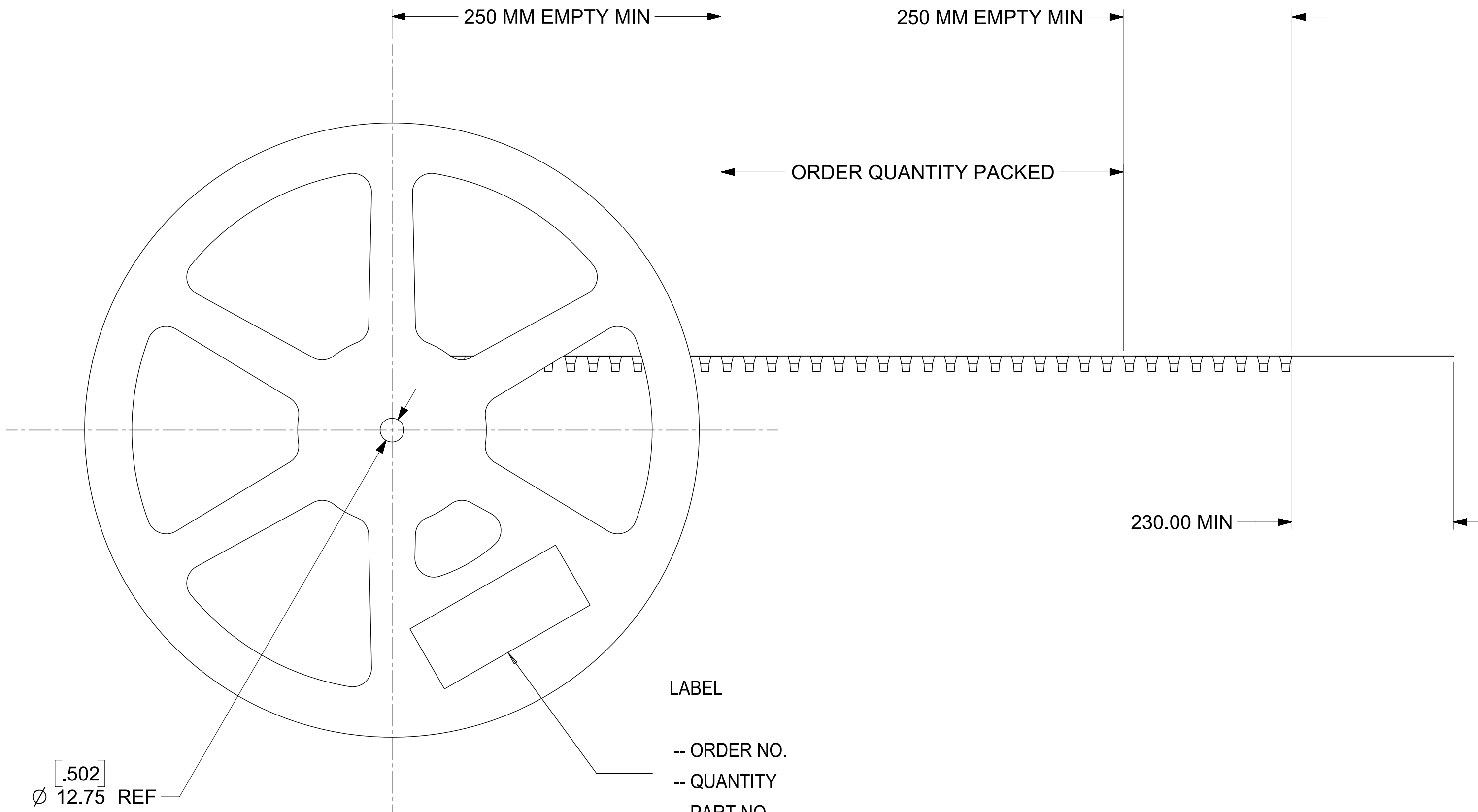


THIS DRAWING CONTAINS INFORMATION THAT IS PROPRIETARY TO MOLEX ELECTRONIC TECHNOLOGIES, LLC AND SHOULD NOT BE USED WITHOUT WRITTEN PERMISSION												
EC NO: 168264 DRWN: JSU18	2017/11/16	CHKD: YCHENG	GENERAL TOLERANCES (UNLESS SPECIFIED)			DIMENSION UNITS	SCALE					
			ANGULAR TOL ± 2.0 °			HYBRID	1:1					
C1	REV	APPR: YCHENG	4 PLACES ±		DRWN BY	DATE	MMCX JACK, PCB MOUNT 50 OHMS MMCX-J/PCB					
			3 PLACES ±		ELIN	2016/08/03						
			2 PLACES ±		CHKD BY	DATE	PRODUCT CUSTOMER DRAWING					
			1 PLACE ±		YCHENG	2016/08/10						
			0 PLACES ±		APPR BY	DATE	SERIES: 73415 MATERIAL NUMBER: _____ CUSTOMER: GENERAL MARKET					
			DRAFT WHERE APPLICABLE MUST REMAIN WITHIN DIMENSIONS		DRAWING SIZE	THIRD ANGLE PROJECTION						
					C		DOCUMENT NUMBER		DOC TYPE		DOC PART	SHEET NUMBER
							SD-73415-147		PSD		001	2 OF 3

13" REEL SIZE

$12.993 \pm .020$
 $\varnothing 330.02 \pm 0.51$

$.647$
 16.43 MIN



LABEL

- ORDER NO.
- QUANTITY
- PART NO.
- LOT NO.

THIS DRAWING CONTAINS INFORMATION THAT IS PROPRIETARY TO MOLEX ELECTRONIC TECHNOLOGIES, LLC AND SHOULD NOT BE USED WITHOUT WRITTEN PERMISSION

EC NO: 168264 DRWN: JSU18 CHKD: REV / APPR: YCHENG	2017/11/16	GENERAL TOLERANCES (UNLESS SPECIFIED)	DIMENSION UNITS	SCALE	molex MMCX JACK, PCB MOUNT 50 OHMS MMCX-J/PCB	
	2017/11/27		HYBRID	1:1		
			ANGULAR TOL $\pm 2.0^\circ$	DRWN BY		DATE
			4 PLACES \pm	ELIN		2016/08/03
	3 PLACES \pm	2 PLACES \pm	CHK'D BY	DATE	PRODUCT CUSTOMER DRAWING	
	1 PLACE \pm	0 PLACES \pm	YCHENG	2016/08/10		
	DRAFT WHERE APPLICABLE MUST REMAIN WITHIN DIMENSIONS		DRAWING SIZE	THIRD ANGLE PROJECTION		
C1	C					
RELEASE STATUS		P1	RELEASE DATE	27.11.2017	06:49:03	
12	11	10	9	8	7	
SERIES		MATERIAL NUMBER		CUSTOMER		
73415				GENERAL MARKET		
DOCUMENT NUMBER		DOC TYPE	DOC PART	SHEET NUMBER		
SD-73415-147		PSD	001	3 OF 3		