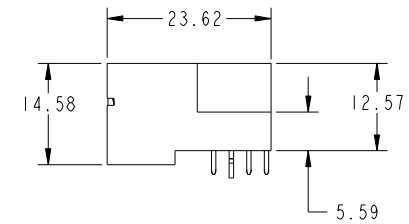
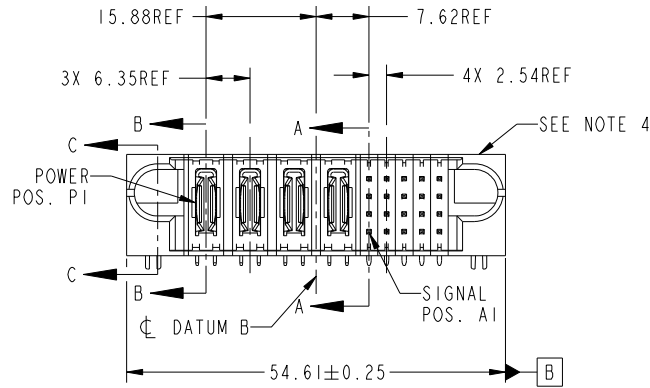


Tous droits strictement reserves. Reproduction ou communication a des tiers interdite sous quelque forme que ce soit sans autorisation écrite du propriétaire. Propriete de c FCI. Droits de reproduction FCI.

All rights strictly reserved. Reproduction or issue to third parties in any form whatever is not permitted without written authority from the proprietor. Property of FCI. Copyright FCI.



PRODUCT NO. 51732-053 NOTE ③	ROWS DCBA	POWER				SIGNAL					E2
		E1	P1	P2	P3	P4	1	2	3	4	



CODE	DIM "M" MATING LENGTH	CONTACT TYPE
U	0.270 [6.86]	SIGNAL
T	0.270 [6.86]	SIGNAL
S	0.270 [6.86]	SIGNAL
R	0.270 [6.86]	SIGNAL
PA	N/A [N/A]	POWER
HA	N/A [N/A]	HOLD-DOWN
E	0.220 [5.59]	SIGNAL

mat'l code				See Note		tolerances unless otherwise specified		CUSTOMER		FCI	
ltr	ecn no.	dr	date	linear	0.X ± 0.5	projection		COPY		www.fciconnect.com	
A	DG09-0139	WD	05/06/09	angles	0.XX ± 0.25	MIM		title		4P + 20S RIGHT ANGLE SOLDER HEADER	
				dr	0.XXX ± 0.10	scale		product family		PwrBlade code	
				enr	0° ± 2°	1:1		size		213	
				chr	Warren Du 04/28/09			dwg no		51732-053 sheet	
				appd	Warren Du 04/28/09			A		1 of 4	
					PM ZHENG 04/28/09						
					JOSEPH HSIA 04/28/09						
sheet index	revision sheet	A	A	A	A						
		1	2	3	4						

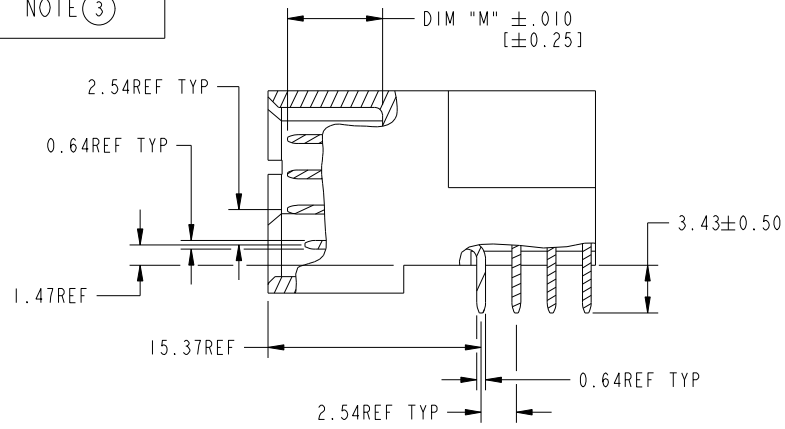
cage code 22526

Tous droits strictement reserves. Reproduction ou communication a des tiers interdite sous quelque forme que ce soit sans autorisation écrite du propriétaire. Propriete de c FCI. Droits de reproduction FCI.

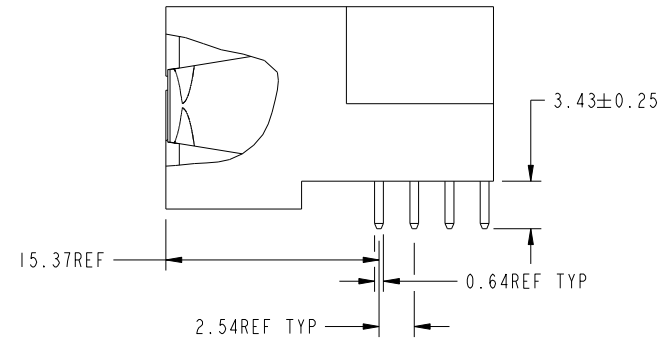


All rights strictly reserved. Reproduction or issue to third parties in any form whatever is not permitted without written authority from the proprietor. Property of FCI. Copyright FCI.

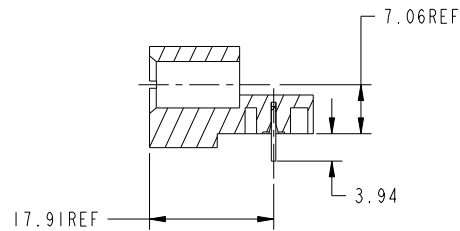
PRODUCT NUMBER
51732-053--
NOTE (3)



BROKEN-OUT SECTION A-A
SCALE 2:1



BROKEN-OUT SECTION B-B
SCALE 2:1



SECTION C-C

mat'l code				See Note		tolerances unless otherwise specified		CUSTOMER		www.ficconnect.com	
ltr	ecn no.	dr	date	linear	0.X ± 0.5		COPY		title 4P + 20S RIGHT ANGLE SOLDER HEADER		
A					0.XX ± 0.25		projection				
					angles	0.XXX ± 0.10				product family PwrBlade code 213	
				dr		Warren Du	04/28/09			size dwg no 213	
				enr	Warren Du	04/28/09	scale		sheet 2		
				chr	PM ZHENG	04/28/09	1:1		A 51732-053		
				appd	JOSEPH HSIA	04/28/09					
sheet index	revision sheet										

cage code 22526

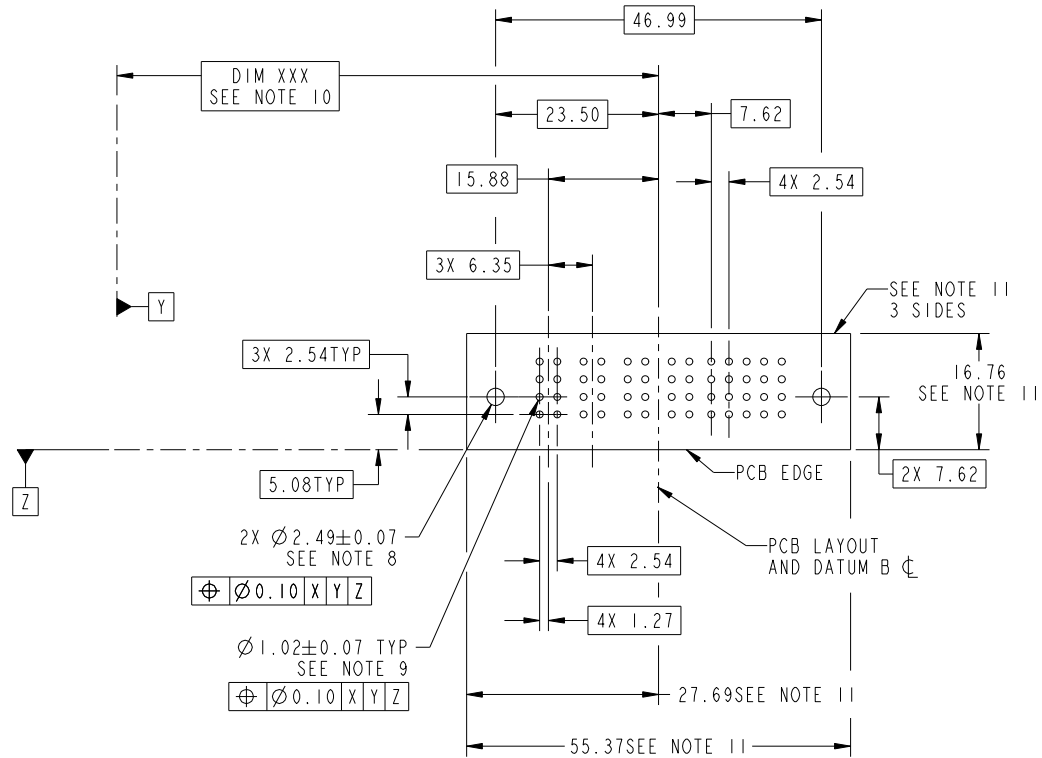
Pro/E

Tous droits strictement reserves. Reproduction ou communication a des tiers interdite sous quelque forme que ce soit sans autorisation ecrite du proprietaire. Propriete de c FCI. Droits de reproduction FCI.



All rights strictly reserved. Reproduction or issue to third parties in any form whatever is not permitted without written authority from the proprietor. Property of FCI. Copyright FCI.

PRODUCT NUMBER
51732-053--
NOTE ③



RECOMMENDED PCB LAYOUT

mat'l code		See Note		tolerances unless otherwise specified		CUSTOMER		FCI		www.fciconnect.com					
ltr	ecn no.	dr	date	linear	0.X ± 0.5	COPY		title 4P + 20S RIGHT ANGLE SOLDER HEADER							
A					0.XX ± 0.25	projection						product family		code	
				angles	0.XXX ± 0.10							PwrBlade		213	
		dr	Warren Du	04/28/09	0° ± 2°	MIM		size		sheet					
		enr	Warren Du	04/28/09		← MIM →		dwg no		3					
		chr	PM ZHENG	04/28/09		scale		A		51732-053					
		appd	JOSEPH HSIA	04/28/09		1:1									
sheet index	revision sheet														

cage code 22526

Pro/E

Tous droits strictement reserves. Reproduction ou communication a des tiers interdite sous quelque forme que ce soit sans autorisation écrite du propriétaire. Propriete de c FCI. Droits de reproduction FCI.



All rights strictly reserved. Reproduction or issue to third parties in any form whatever is not permitted without written authority from the proprietor. Property of FCI. Copyright FCI.

PRODUCT NUMBER
51732-053--
NOTE (3)

NOTES:

1. DIMENSIONS AND TOLERANCES ARE IN ACCORDANCE WITH ASME Y14.5M, 1994 UNLESS OTHERWISE SPECIFIED.

CONNECTOR NOTES:

- (2.) HOUSING MATERIAL: UL 94 V-0 GLASS FILLED HIGH-TEMP THERMOPLASTIC
POWER CONTACT MATERIAL: COPPER ALLOY
SIGNAL PIN MATERIAL: COPPER ALLOY
- 3. SEE ITEM 1 & 2 IN PRINT 10064183 FOR PLATING SPEC OF 51732-053 AND 51732-053LF RESPECTIVELY.
- (4.) MANUFACTURER'S NAME, P/N, AND DATE CODE TO APPEAR ON THIS SURFACE.
- 5. PRODUCT SPECIFICATION GS-12-149.
APPLICATION SPECIFICATION BUS-20-067.
- 6. PACKAGED IN TRAYS.

PCB NOTES:

- 7. ALL HOLE DIAMETERS ARE FINISHED HOLE SIZE.
- (8.) MOUNTING HOLES, WHERE APPLICABLE, ARE UNPLATED.
- (9.) $\varnothing .0453 \pm .0010$ [1.151 \pm 0.025] DRILLED HOLES PLATED WITH
.0003 [0.008] MIN SnPb OVER .001 [0.03]
TO .003 [0.08] Cu PLATING TO ACHIEVE
 $\varnothing .040 \pm .003$ [1.02 \pm .07] HOLE.
- (10.) "DIM XXX" TO BE DETERMINED BY THE CUSTOMER.
- (11.) CONNECTOR KEEP-OUT ZONE.

mat'l code		See Note		tolerances unless otherwise specified		CUSTOMER		FCI	
ltr	ecn no.	dr	date	linear	0.X \pm 0.5	COPY		www.fciconnect.com	
A					0.XX \pm 0.25	projection	title 4P + 20S RIGHT ANGLE SOLDER HEADER		
				angles	0.XXX \pm 0.10				
				dr	0° \pm 2°	MIM	product family	PwrBlade	code
				engr	Warren Du 04/28/09		size	dwg no	213
				chr	PM ZHENG 04/28/09	scale	A	51732-053	sheet
				appd	JOSEPH HSIA 04/28/09	1:1			4 of 4
sheet index	revision sheet								

cage code 22526

Pro/E