



PRELIMINARY
FOR INFORMATION ONLY

00-9159-XXX-001-006

PREFIX _____

SERIES _____

NO. OF WAYS _____

CODE	NO. OF WAYS	DETAILS
002	2	SHEET 2
003	3	SHEET 3
004	4	SHEET 4
005	5	SHEET 5

SINGLE PART PCB STRIP CONNECTOR _____

CODE	DESCRIPTION
0	SINGLE PART PCB STRIP CONNECTOR

PCB THICKNESS _____

CODE	DESCRIPTION
01	PCB THICKNESS 1.60±0.15

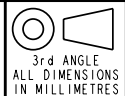
ELCO EUROPE (A DIVISION OF AVX LTD.) CONFIDENTIAL PROPRIETARY
THE DRAWING ON THIS PRINT AND INFORMATION THEREWITH ARE
PROPRIETARY TO ELCO EUROPE (A DIVISION OF AVX LTD.) AND
SHALL NOT BE USED OR DISCUSSED IN WHOLE OR IN PART
WITHOUT ELCO EUROPE'S WRITTEN CONSENT.

COLOUR OPTION _____

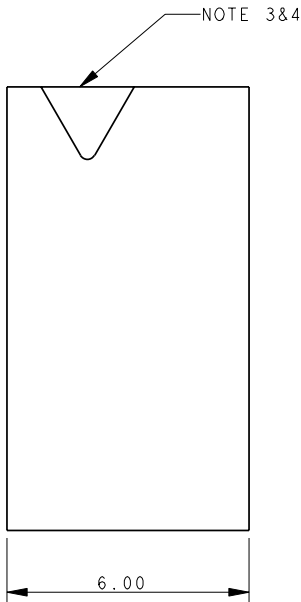
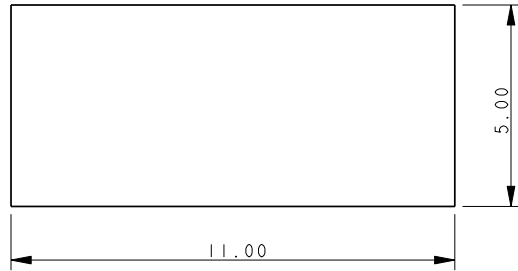
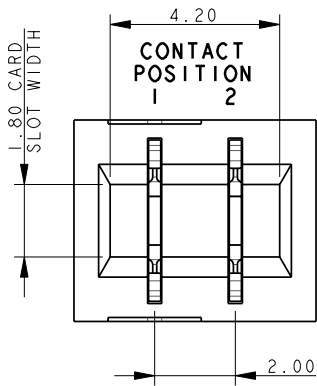
CODE	INSULATOR COLOR
0	BLACK
1	WHITE

PLATING OPTION _____

CODE	CONTACT PLATING
06	PURE TIN ALL OVER



2 WAY SINGLE PART PCB STRIP CONNECTOR

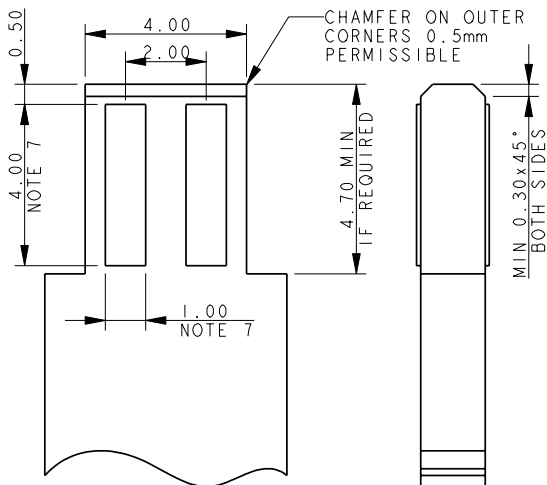


NOTES:

1. FOR MORE INFORMATION REFER TO PRODUCT SPEC 201-01-118.
2. DIMENSIONS ARE REFERENCE DIMENSIONS UNLESS TOLERANCED.
3. ARROW TO INDICATE CONTACT POSITION 1.
4. PCB MUST BE INSERTED FROM THE ARROW SIDE FIRST.
5. INSULATOR MATERIAL :- NYLON 46, UL94 HB, COLOUR SEE SHEET 1.
6. CONTACT MATERIAL :- COPPER ALLOY, TIN PLATED ALL OVER.
7. PCB PAD, TIN PLATED.

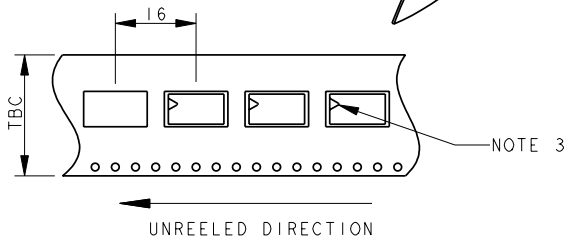
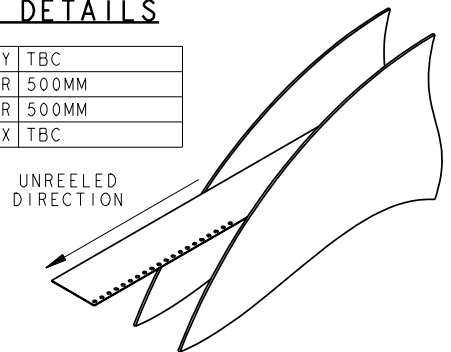
ELCO EUROPE (A DIVISION OF AVX LTD.) CONFIDENTIAL PROPRIETARY THE DRAWING ON THIS PRINT AND INFORMATION THEREWITH ARE PROPRIETARY TO ELCO EUROPE (A DIVISION OF AVX LTD.) AND SHALL NOT BE USED OR DISCUSSED IN WHOLE OR IN PART WITHOUT ELCO EUROPE'S WRITTEN CONSENT.

2 WAY PCB BOARD LAYOUT THICKNESS 1.60±0.15



PACKING DETAILS

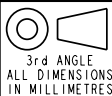
REEL QTY	TBC
LEADER	500MM
TRAILER	500MM
REELS PER BOX	TBC



SHEET 2 TO 5

FORM-106-01-056-6 ISS 7

Release No.
History
102527



ELCO
© COPYRIGHT ELCO EUROPE
NOT TO BE DISCLOSED OR COPIED
WITHOUT WRITTEN PERMISSION

Drawn
N.C.H.
Size
CV

Description
9159 SINGLE PART - ORDERING CODE
Part Number
00-9159-01_000S

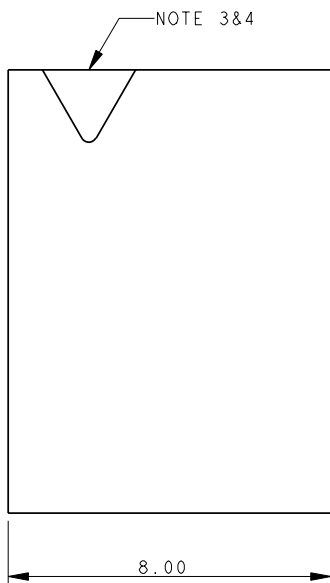
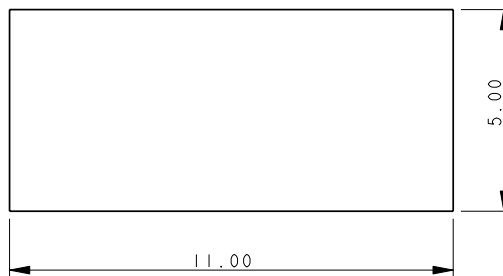
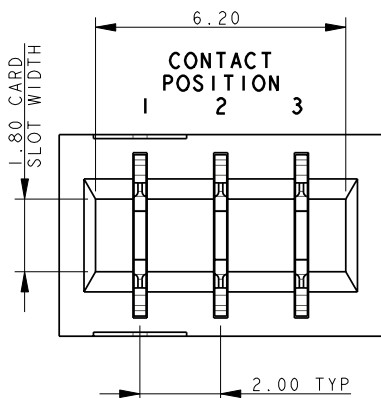
DATE
06-Sept-04
Issue
C

A

I

B

3 WAY SINGLE PART PCB STRIP CONNECTOR



NOTES:

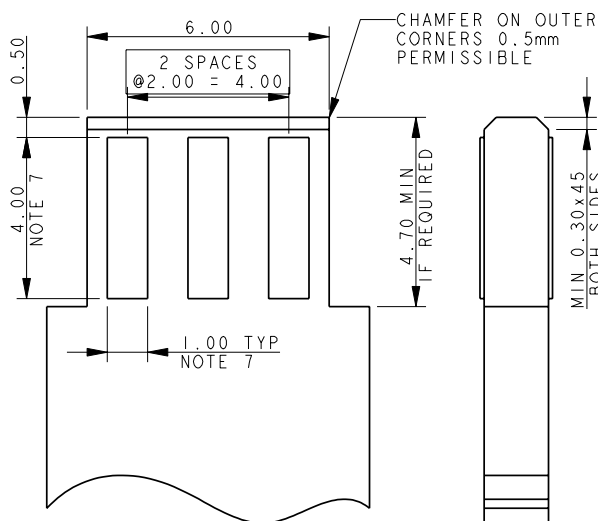
1. FOR MORE INFORMATION REFER TO PRODUCT SPEC 201-01-118.
2. DIMENSIONS ARE REFERENCE DIMENSIONS UNLESS TOLERANCED.
3. ARROW TO INDICATE CONTACT POSITION 1.
4. PCB MUST BE INSERTED FROM THE ARROW SIDE FIRST.
5. INSULATOR MATERIAL :- NYLON 46, UL94 HB, COLOUR SEE SHEET 1.
6. CONTACT MATERIAL :- COPPER ALLOY, TIN PLATED ALL OVER.
7. PCB PAD, TIN PLATED.

ELCO EUROPE (A DIVISION OF AVX LTD.) CONFIDENTIAL PROPRIETARY THE DRAWING ON THIS PRINT AND INFORMATION THEREWITH ARE PROPRIETARY TO ELCO EUROPE (A DIVISION OF AVX LTD.) AND SHALL NOT BE USED OR DISCUSSED IN WHOLE OR IN PART WITHOUT ELCO EUROPE'S WRITTEN CONSENT.

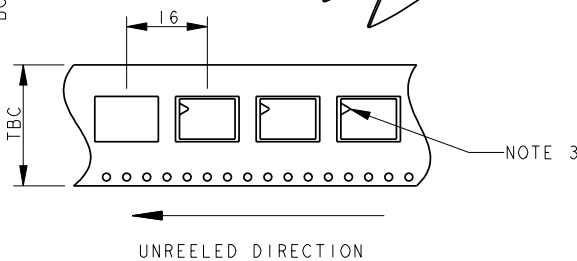
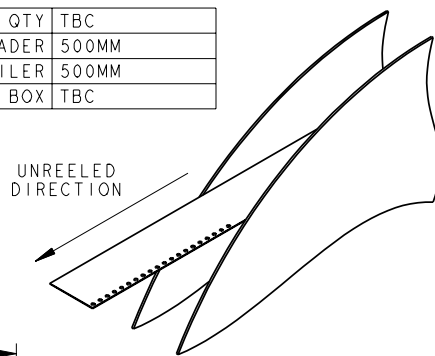
3 WAY PCB BOARD LAYOUT

THICKNESS 1.60 ± 0.15

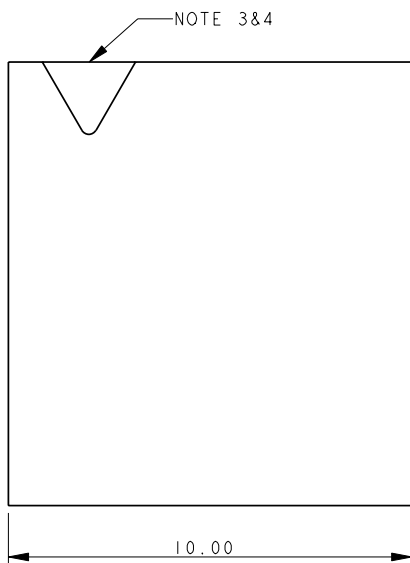
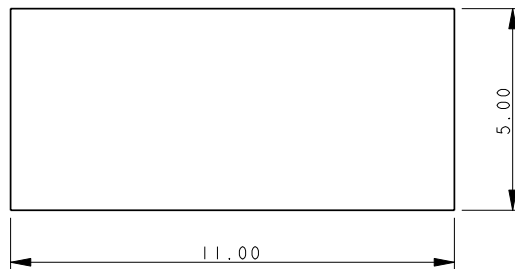
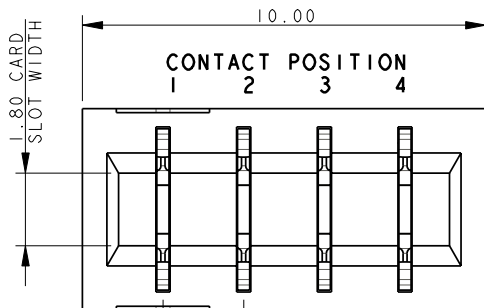
PACKING DETAILS



REEL QTY	TBC
LEADER	500MM
TRAILER	500MM
REELS PER BOX	TBC



4 WAY SINGLE PART PCB STRIP CONNECTOR



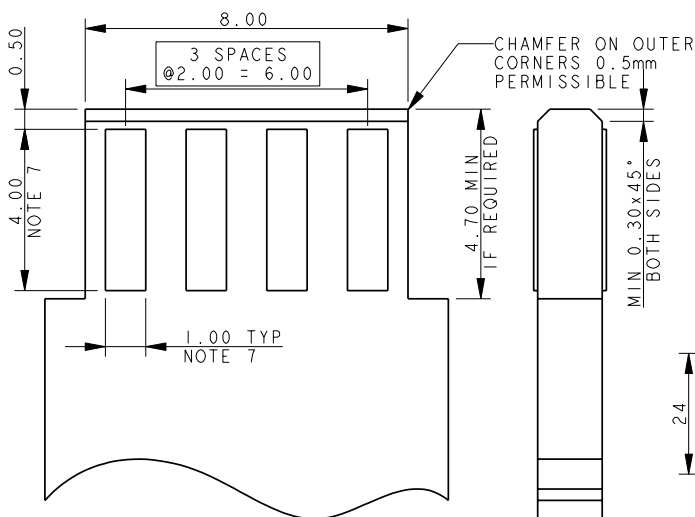
NOTES:

1. FOR MORE INFORMATION REFER TO PRODUCT SPEC 201-01-118.
2. DIMENSIONS ARE REFERENCE DIMENSIONS UNLESS TOLERANCED.
3. ARROW TO INDICATE CONTACT POSITION 1.
4. PCB MUST BE INSERTED FROM THE ARROW SIDE FIRST.
5. INSULATOR MATERIAL :- NYLON 46, UL94 HB, COLOUR SEE SHEET 1.
6. CONTACT MATERIAL :- COPPER ALLOY, TIN PLATED ALL OVER.
7. PCB PAD, TIN PLATED.

ELCO EUROPE (A DIVISION OF AVX LTD.) CONFIDENTIAL PROPRIETARY THE DRAWING ON THIS PRINT AND INFORMATION THEREWITH ARE PROPRIETARY TO ELCO EUROPE (A DIVISION OF AVX LTD.) AND SHALL NOT BE USED OR DISCUSSED IN WHOLE OR IN PART WITHOUT ELCO EUROPE'S WRITTEN CONSENT.

4 WAY PCB BOARD LAYOUT

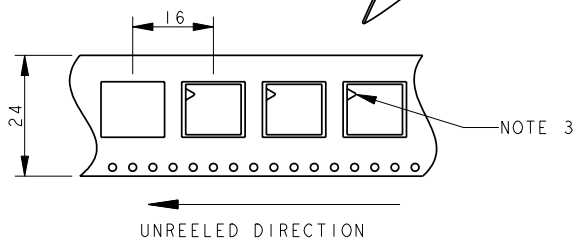
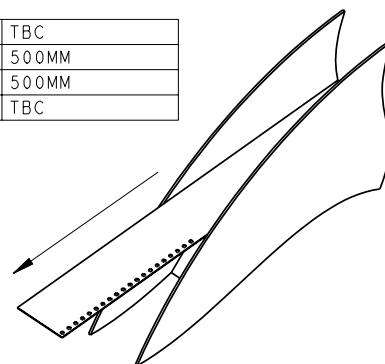
THICKNESS 1.60 ± 0.15



PACKING DETAILS

REEL QTY	TBC
LEADER	500MM
TRAILER	500MM
REELS PER BOX	TBC

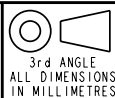
UNREEL DIRECTION



SHEET 4 OF 5

FORM-106-01-056-6 ISS 7

Release No.
History
102527



ELCO

© COPYRIGHT ELCO EUROPE
NOT TO BE DISCLOSED OR COPIED
WITHOUT WRITTEN PERMISSION

Drawn
N.C.H.

Description
9159 SINGLE PART - ORDERING CODE

Size
CV

Part Number
00-9159-01_000S

DATE
10-Sep-08

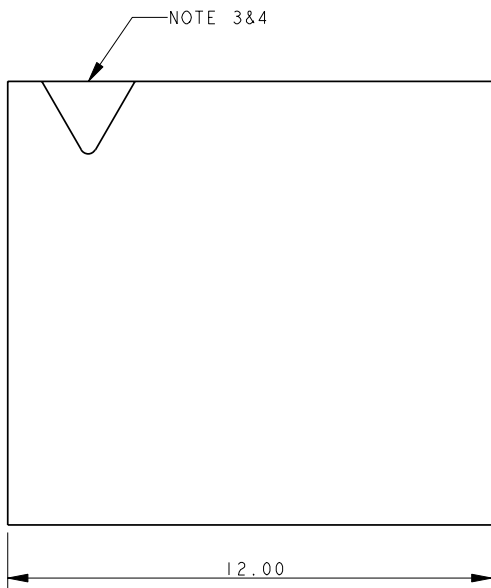
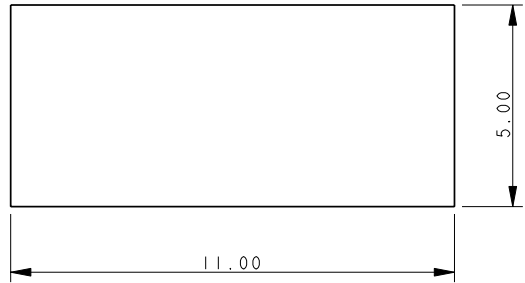
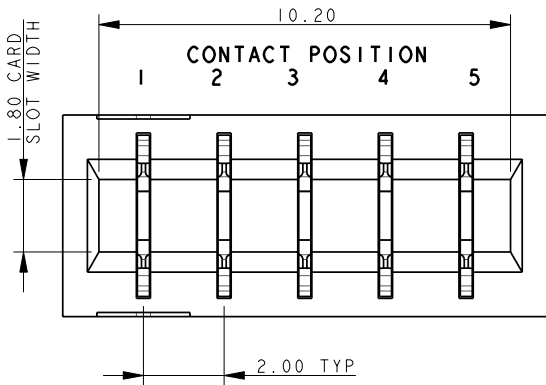
Issue
C

A

I

B

5 WAY SINGLE PART PCB STRIP CONNECTOR



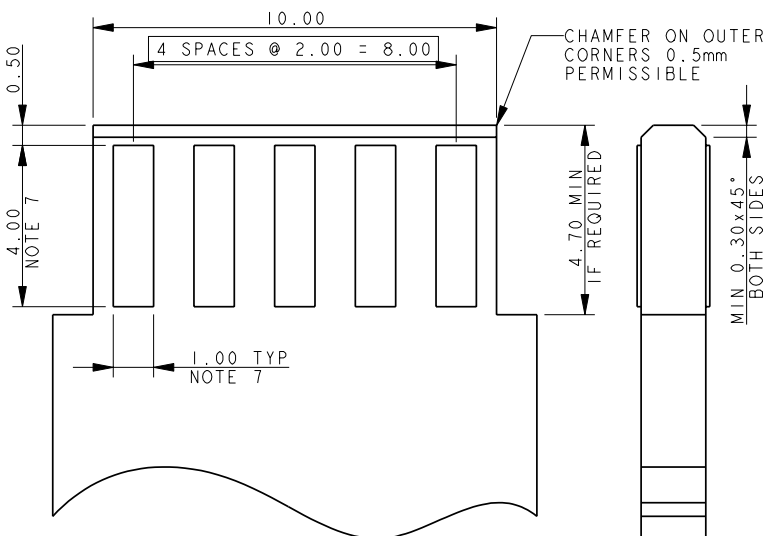
NOTES:

1. FOR MORE INFORMATION REFER TO PRODUCT SPEC 201-01-118.
2. DIMENSIONS ARE REFERENCE DIMENSIONS UNLESS TOLERANCED.
3. ARROW TO INDICATE CONTACT POSITION 1.
4. PCB MUST BE INSERTED FROM THE ARROW SIDE FIRST.
5. INSULATOR MATERIAL :- NYLON 46, UL94 HB, COLOUR SEE SHEET 1.
6. CONTACT MATERIAL :- COPPER ALLOY, TIN PLATED ALL OVER.
7. PCB PAD, TIN PLATED.

ELCO EUROPE (A DIVISION OF AVX LTD.) CONFIDENTIAL PROPRIETARY THE DRAWING ON THIS PRINT AND INFORMATION THEREWITH ARE PROPRIETARY TO ELCO EUROPE (A DIVISION OF AVX LTD.) AND SHALL NOT BE USED OR DISCUSSED IN WHOLE OR IN PART WITHOUT ELCO EUROPE'S WRITTEN CONSENT.

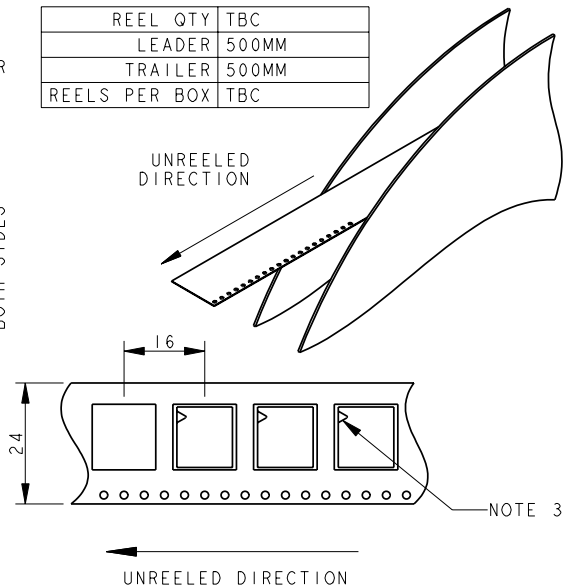
5 WAY PCB BOARD LAYOUT

THICKNESS 1.60±0.15



PACKING DETAILS

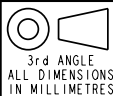
REEL QTY	TBC
LEADER	500MM
TRAILER	500MM
REELS PER BOX	TBC



SHEET 5 OF 5

FORM-106-01-056-6 ISS 7

Release No.
History
101527



ELCO

© COPYRIGHT ELCO EUROPE
NOT TO BE DISCLOSED OR COPIED
WITHOUT WRITTEN PERMISSION

Drawn
N.C.H.

Size
CV

Description
9159 SINGLE PART - ORDERING CODE

Part Number
00-9159-01_000S

DATE
06-Sept-04

Issue
C